

*Fastening Systems Engineered For Performance™*

# LARGE SIZE RIVET NUT FAMILY



The first product family of its kind – Rivet Nuts up to  $3/4$ -10 (M20)



## FEATURES & BENEFITS

- Provide a Strong Thread in Thin Sheet Materials
- Can be Installed from One Side of the Work Piece
- Do Not Need to be Welded to the Base Material
- Available in a Round Body or a Full Hex Body For Increased Spin Out Resistance
- Plated with a ROHS Compliant Zinc Trivalent Clear Plating

## SIZES & STYLES

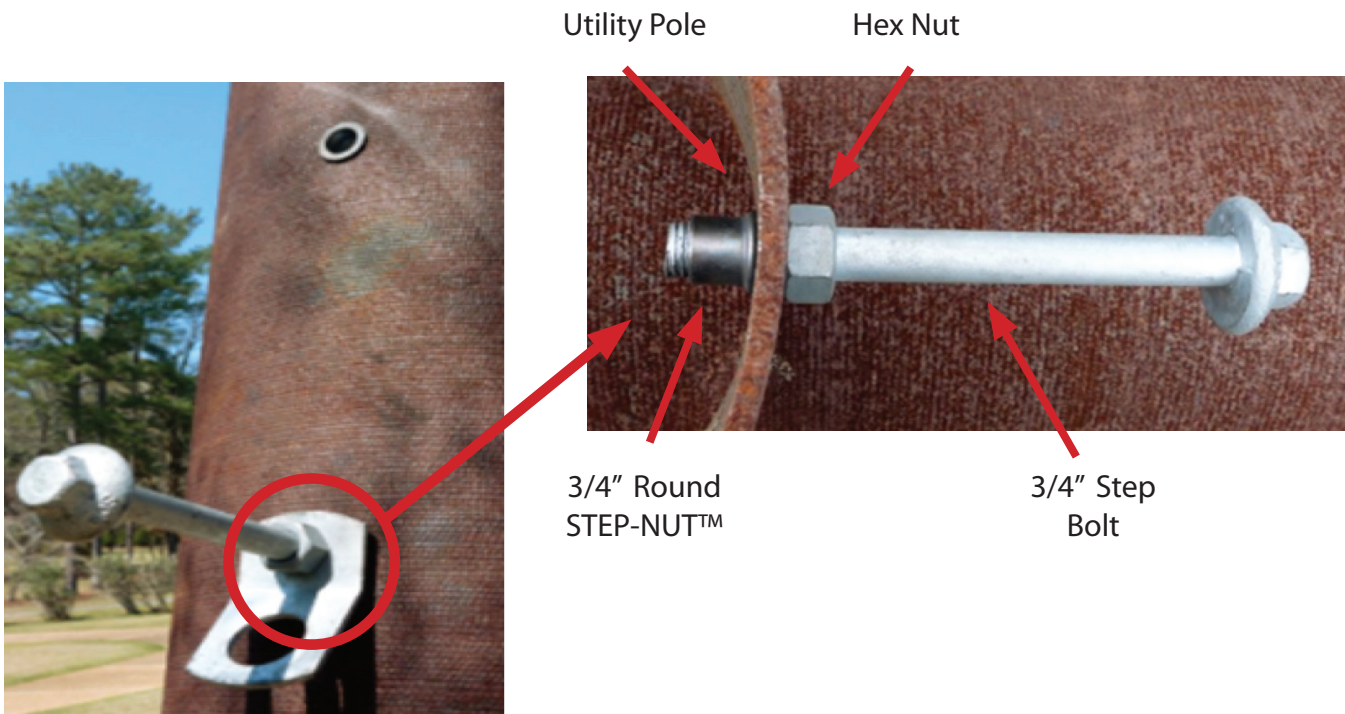
- Unified Sizes Available:
  - 1/2" Round Body & Hex Body
  - 5/8" Round Body & Hex Body
  - 3/4" Round Body
- Metric Sizes Available:
  - M12 Round Body & Hex Body
  - M16 Round Body & Hex Body

## LARGE SIZE RIVET NUT APPLICATIONS

***These innovative Rivet Nuts can be used in a variety of industries:***

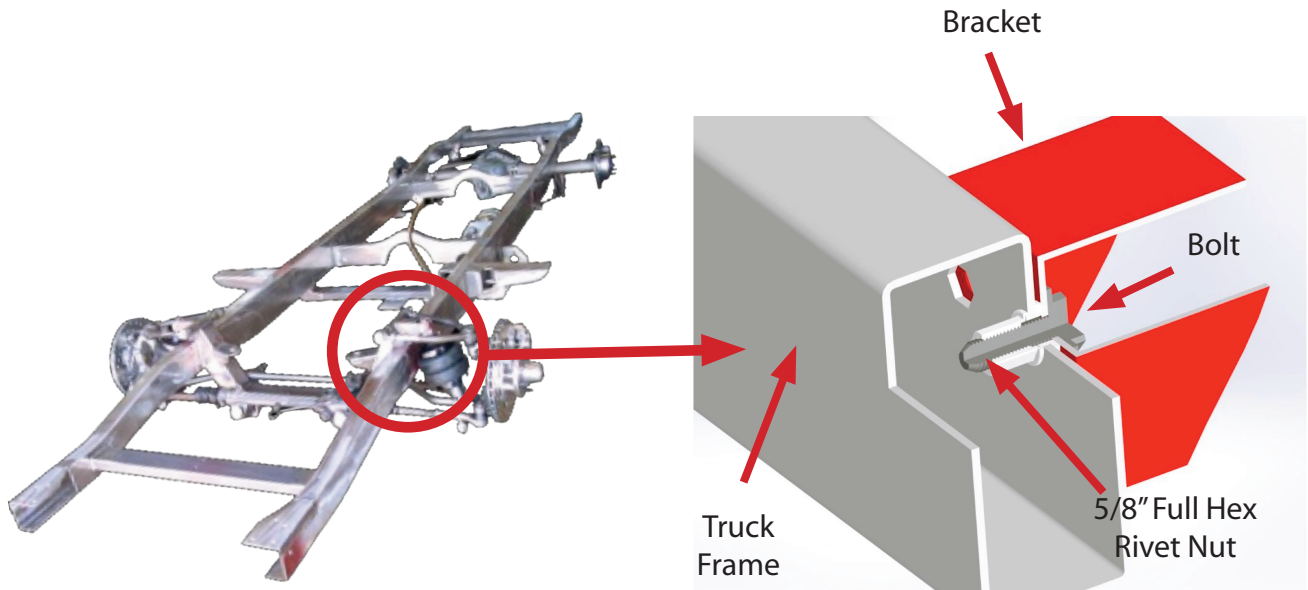
- Automotive
- Heavy Truck/Trailer
- Ag/Construction Equipment
- Pole/Tower
- HVAC
- Heavy Equipment
- Rail
- Any manufacturing that uses thin sheet metal

### Utility Poles Attachments

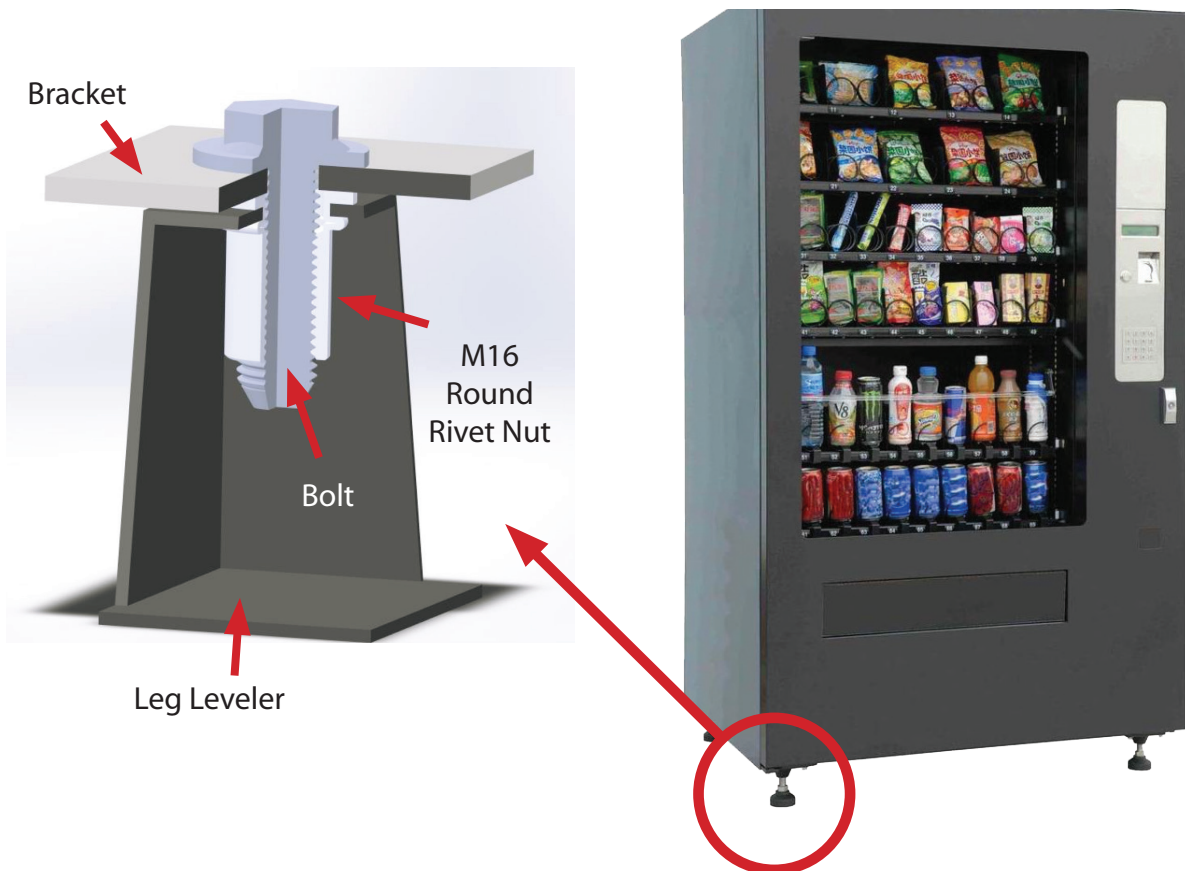


# LARGE SIZE RIVET NUT APPLICATIONS

## Truck Frame Attachments

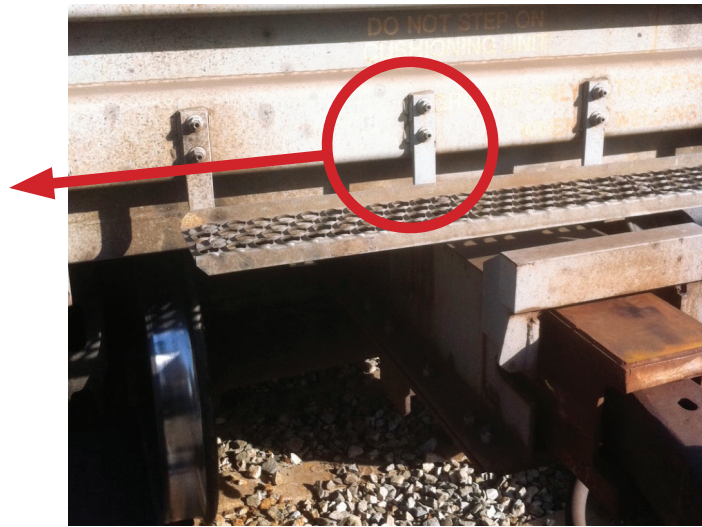
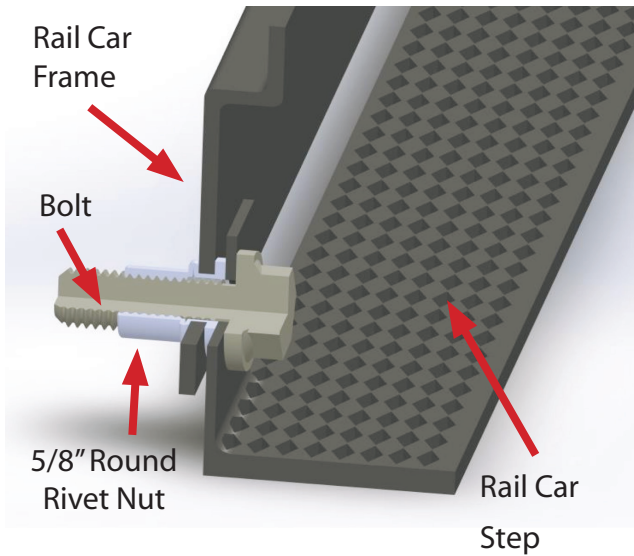


## Vending Machine Leg Leveler

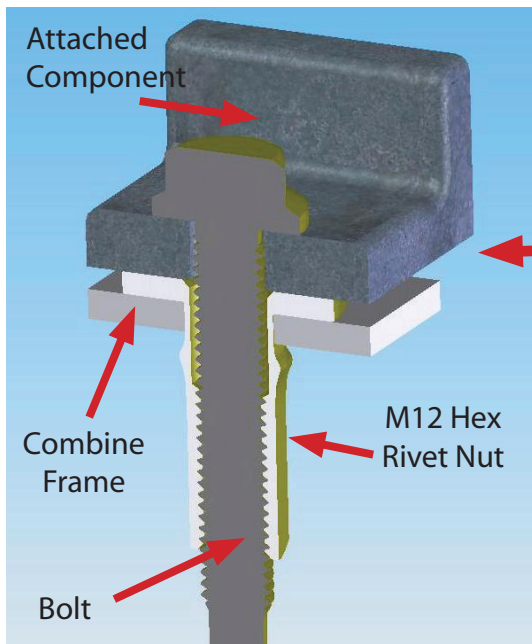


# LARGE SIZE RIVET NUT APPLICATIONS

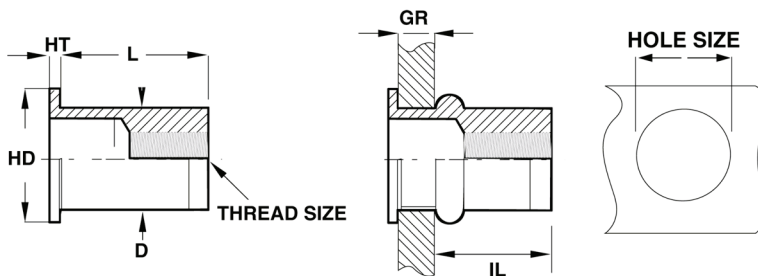
## Railcar Component Attachments



## Combine Frame Attachment



## Round Body



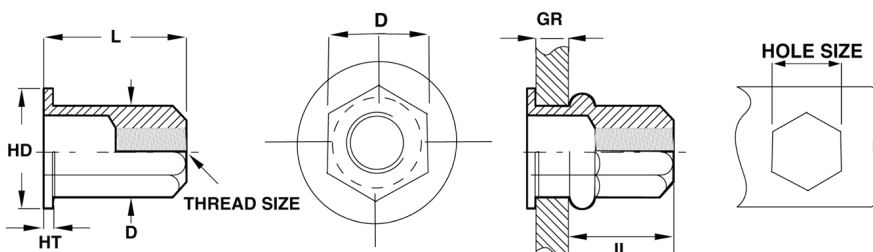
### LRGR SERIES - ROUND BODY

SHEREX Part Number Inch - Steel	Thread Size	Grip Range		L	HD	HT	D	IL	Hole Size
		Min.	Max.	± .015	± .025	± .004	Max.	Ref.	+ .010/- .000
LRGR2-5013-150	1/2-13 UNC	.050	.150	1.260	.945	.085	.656	.984	.656
LRGR2-6211-200	5/8-11 UNC	.080	.200	1.428	1.181	.098	.826	1.142	.827
LRGR2-7510-250	3/4-10 UNC	.100	.250	1.210	1.235	.118	.906	.878	.907

SHEREX Part Number Metric - Steel	Thread Size	Grip Range		L	HD	HT	D	IL	Hole Size
		Min.	Max.	± .38	± .64	± .10	Max.	Ref.	+ .25/- .000
LRGR2-12175-3.8	M12x1.75 ISO	1.00	4.50	30.00	24.36	2.16	16.65	25.00	16.66
LRGR2-1620-5.0	M16x2.0 ISO	2.00	5.00	36.27	30.00	3.00	20.98	24.50	21.00

## Full Hex Body



### LRGH SERIES - FULL HEX BODY

SHEREX Part Number Inch - Steel	Thread Size	Grip Range		L	HD	HT	D (A/F)	IL	Hole Size (A/F)
		Min.	Max.	± .015	± .025	± .004	Max.	Ref.	+ .010/- .000
LRGH2-5013-177	1/2-13 UNC	.050	.177	1.181	1.024	.085	.656	.866	.656
LRGH2-6211-200	5/8-11 UNC	.080	.200	1.260	1.260	.118	.826	.965	.827

SHEREX Part Number Metric - Steel	Thread Size	Grip Range		L	HD	HT	D (A/F)	IL	Hole Size (A/F)
		Min.	Max.	± .38	± .64	± .10	Max.	Ref.	+ .25/- .000
LRGH2-12175-4.5	M12x1.75 ISO	1.27	4.50	30.00	26.00	2.16	16.65	22.00	16.66
LRGH2-1620-5.0	M16x2.0 ISO	2.00	5.00	32.00	32.00	3.00	20.98	24.50	21.00

Sherex rivet nuts are compatible with the following hardware:

GRADE 2, GRADE 5, CLASS 8.8 and CLASS 9.8

Please contact Sherex when using other grade fasteners.

## FLEX-18 TOOL

Sherex Large Size Rivet Nuts must be installed with the FLEX-18 rivet nut installation tool.

The most powerful tool on the market, providing pull-to-pressure and pull-to-stroke installation methods



### FEATURES & BENEFITS

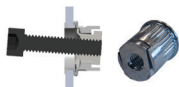
- Installs Rivet Nuts from M8 to M16 & 5/16 -18 to 3/4-10
- Push to start nose piece to spin on fastener
- Single stage trigger
- Automatic reverse with manual reverse bypass
- Quick change mandrel design
- Socket head cap screw mandrel for sizes up to M12 and 1/2-20
- Can be suspended from a balancer
- 18,000 lbs. (80 kN) of pulling force
- 15 mm (.591 in) of available stroke
- Upgradeable to process monitoring
- 2-3 second cycle time
- Lightweight handle (8.0 lbs.)
- All aluminum handle design for improved durability

Visit [www.sherex.com](http://www.sherex.com) for a full video demonstration

## BLIND RIVET NUTS

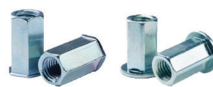


Sherex blind rivet nuts provide load bearing threads in thin sheet materials that are too thin for a tapped thread. Blind rivet nuts are also used when an application has little or no access to the backside as they can be installed from the front side of the work piece. Sherex offers standard and custom rivet nuts, and these additional rivet nut products:



### RIV-FLOAT® RIVET NUTS

RIV-FLOAT® was developed for easy, accurate, and fast attachment of components in off center applications. RIV-FLOAT® Accounts for tolerance stack up in joint design and misalignment during the service of the joint. RIV-FLOAT®-SHORT is available for applications requiring backside clearance similar to that of various riveted nut plates and cage nuts.



### FULL HEX RIVET NUTS

Sherex full hex rivet nuts provide increased spin out resistance over round or half hex body styles. These products are compatible with Class 8, Grade 5 hardware, and are available in sizes 1/4-20 to 1/2-13 and M6 to M12 in small flange and large flange styles.



### LARGE SIZE RIVET NUTS

Sherex Large Size rivet nuts are offered in sizes from 3/4 -10 and M16. These rivet nuts were developed for applications where critical joint performance and high tensile loads are required.



### NAS AND MS RIVET NUTS

Sherex NAS and MS rivet nuts are ideal for aerospace and defense applications that require NAS 1329, NAS 1330, and MS27130 standards. All styles are manufactured in our AS9100-certified Akron, Ohio facility, and are available in steel, aluminum, 430 stainless steel, 316 stainless steel, alloy steel, and brass. Cage Codes 7EK30 & 4JQL4.



### RIVET NUT INSTALLATION TOOLS

Sherex offers a broad line of installation tools, from hand tools ideal for prototyping and small volumes to hydro-pneumatic tools ideal for large production runs.



### IN-DIE AUTOMATION

Sherex, with our partner, Autoriv®, offers custom-engineered fastener automation equipment for specific budgets and performance requirements.



### CLINCH NUTS

Clinch Nuts are high performance fasteners ideal for high strength steel applications where access to both sides of the base material is available. Sherex clinch nuts meet class 10 nut strength requirements, and are available in several varieties for specific application requirements.



### BRASS INSERTS

Sherex brass inserts are ideal for fastening in plastics, as they provide a threaded hold when the base material is not strong enough to support a thread.



### COMPRESSION LIMITERS

Compression limiters are ideal for use in plastics, as they protect the base material from cracking due to compressive loads generated when tightening bolts. Sherex compression limiters are custom engineered for specific applications.

## DISC-LOCK™



### WEDGE LOCKING NUTS

Disc-Lock wedge locking nuts are patented, heavy duty, self-locking nuts designed to maintain joint integrity in high vibration applications. Available in sizes from M10 to M22, 3/8" to 7/8".



### WEDGE LOCKING WASHERS

Disc-Lock wedge locking washers are heavy duty, self-locking washers designed to secure safety-critical applications against vibrational loosening. Ideal for situations where reusability is not required. Manufactured using scrapless cold-forming technology. Available in carbon steel sizes M3-M38, #6-1 1/2" and in stainless steel sizes M6-M24, 1/4"-

## TECSERIES™



### WEDGE LOCKING WASHERS

TEC Washers are heavy duty, reusable, self locking washers designed to secure safety-critical applications against vibrational loosening. Manufactured using stamping process. Available in standard and large outer diameter carbon and stainless steel M3-M72, #5-3".



**SHEREX FASTENING SOLUTIONS®**

**HEADQUARTERS:**

**SHEREX FASTENING SOLUTIONS, LLC**

400 Riverwalk Pkwy, Suite 600

Tonawanda, NY 14150

Phone: 866-474-3739

Fax: 716-875-0358

E-mail: [info@sherex.com](mailto:info@sherex.com)

[www.sherex.com](http://www.sherex.com)

**PRODUCTION FACILITIES:**

**SHEREX AKRON**

850 Moe Drive

Akron, OH 44310

Phone: 330-630-2293

Fax: 716-875-0358

**SHEREX TAIWAN**

No. 201, Sandong Road

Chungli City

Taoyuan District, Taiwan 32053

Phone: +886 3-498-8689

Fax: +886 3-498-3543

E-mail: [sales@sherex.com.tw](mailto:sales@sherex.com.tw)

**ADDITIONAL LOCATIONS:**

**SHEREX MEXICO S. DE R.L. DE C.V.**

Circuito Balvanera 5A Bodega 11

Parque Industrial Balvanera

Corregidora, Queretaro

C.P. 76900 Mexico

Phone: +52 (442) 196-8354

E-mail: [sales@sherexmexico.com](mailto:sales@sherexmexico.com)

ALL INFORMATION IN THIS CATALOG IS SUBJECT TO CHANGE WITHOUT NOTICE.

