

Hydro-pneumatic Handtool for Speed Fasteners

753 Model

Features

- Average cycle time of less than 2 seconds
- High capacity, magazine fed fasteners
- Robust and durable construction
- Lightweight construction and low actuation recoil
- Available with in-line handle or bottom hose configuration
- Low maintenance handtool
- Long life, self priming intensifier
- Long reach barrel

Benefits

- Increased productivity
- Reduced component handling and subsequent spillage
- Reduced operator fatigue
- Optimised ergonomic performance for improved productivity
- Productive time is maximised
- Consistent actuation and hence joint formation
- Can be used in many difficult access applications

Specifications

Weight (pistol only)	1.2 kg (2.6 lbs)
Pull Force @ 5.5 bar	3.89 kN (875lbf)
Stroke min.	30 mm (1.18ins)
Cycle Time	1.0 sec
Air Supply Pressure	5 - 7 bar
Free Air Volume @ 5.1 bar	2.6 litres
Noise Level	< 70 dB(A)
Vibration	< 2.5m/s
Intensification ratio	32:1

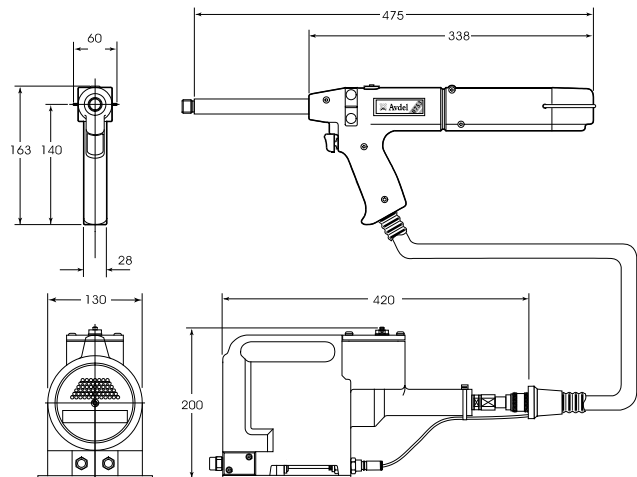
Placing capability

All Speed Fasteners from diameter 2.4 mm (3/32") to 6.4 mm (1/4").

For detailed information on placing capability and nose equipment please refer to the tool manual on our website www.avdel-global.com or contact your local Avdel representative.



m)



Avdel USA LLC
614 NC Highway 200 South
Stanfield, North Carolina 28163
Tel. +1 704 888-7100 · Fax -0258
infoAvdel-USA@infastech.com

www.avdel-global.com

Avdel Canada Limited
1030 Lorimar Drive
Mississauga, Ontario L5S 1R8
Tel. +1 905 364-0664 · Fax -0678
infoAvdel-Canada@infastech.com

© 2010 Infastech

07.2011