

Grovit[®] For Blind Hole Applications

Designed for blind hole applications in wood, plastics, fibre-glass and aluminium. Can also be used in harder substrates.



Key features and benefits

- Annular grooves on the body expand radially during installation
- Provide a vibration resistant joint and increased pull-out resistance

Specifications

Sizes:

2.4 mm to 4.8 mm
(3/32" to 3/16")

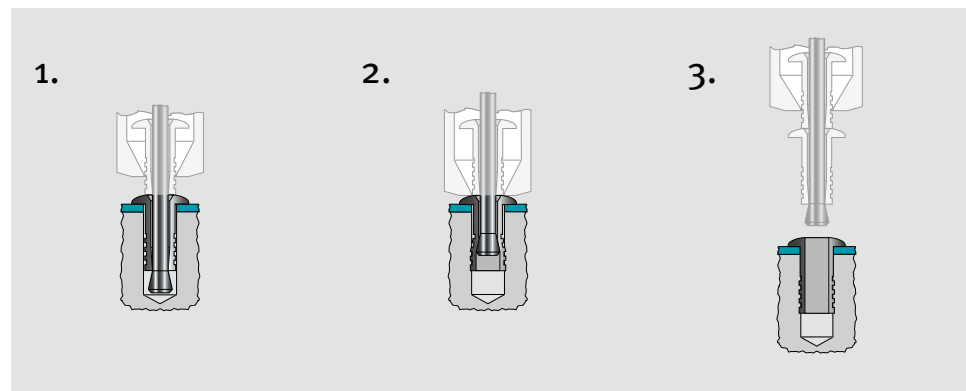
Materials:

Zinc plated steel and
aluminium alloy

Headforms:

Dome

Typical placing sequence



Please visit our website www.avdel-global.com for fastener placing animations.

Assembly applications

- Automotive
- Domestic appliances
- Electrical equipment
- Injection moulded components

Grovit[®] fastener in timber



Trouser press



Trouser press (detail)



PVC connector block in air conditioning unit



Grovit[®] fastener used as a quick connect low pressure bleed hose



PVC strip connector

