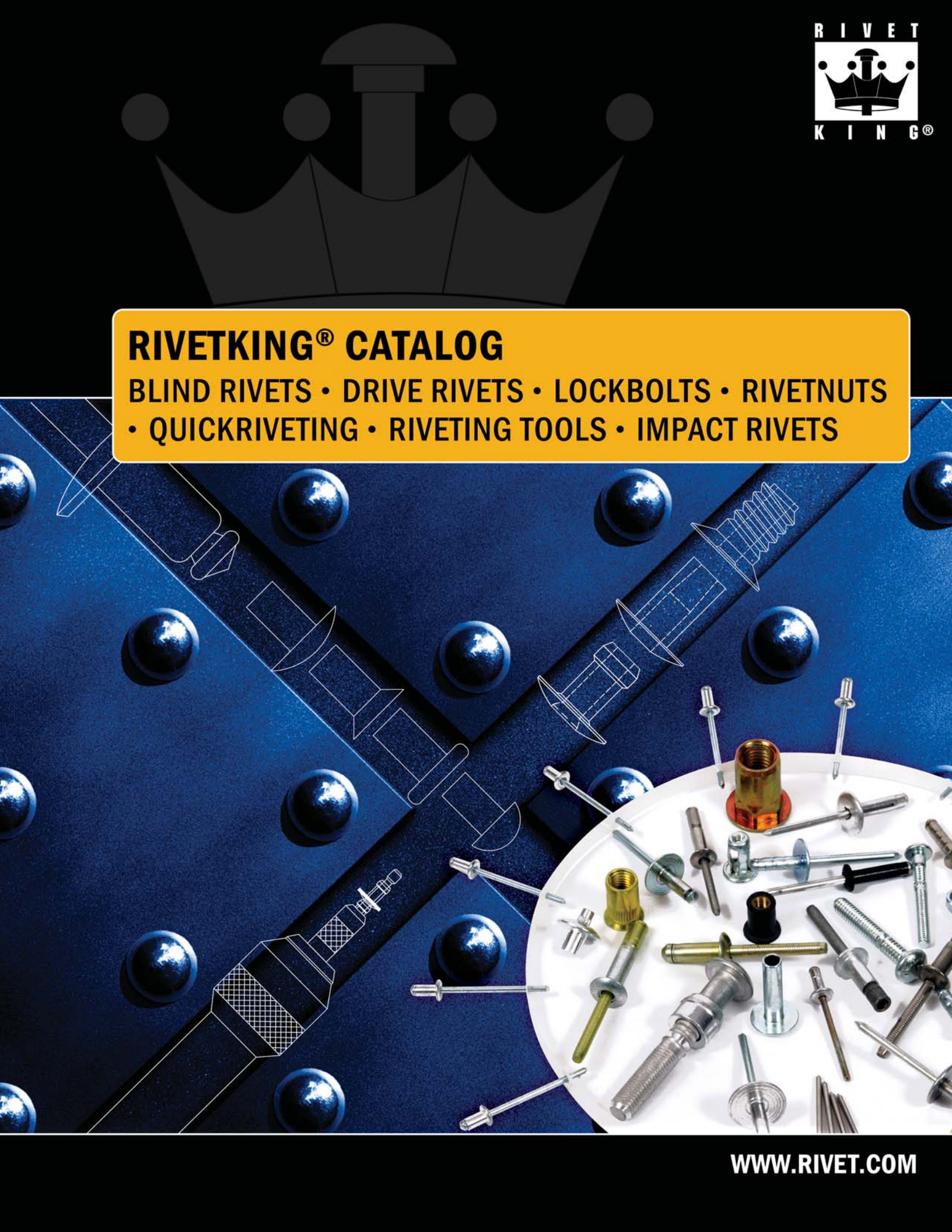




RIVETKING® CATALOG

**BLIND RIVETS • DRIVE RIVETS • LOCKBOLTS • RIVETNUTS
• QUICKRIVETING • RIVETING TOOLS • IMPACT RIVETS**





RivetKing® Locations & Table of Contents



U.S. LOCATIONS

- 1 NORTHVALE, NEW JERSEY
- 2 LOS ANGELES, CALIFORNIA
- 3 BRISTOL, CONNECTICUT
- 4 DENVER, COLORADO
- 5 KANSAS CITY, MISSOURI
- 6 EL PASO, TEXAS
- 7 GRAND PRAIRIE, TEXAS
- 8 SALT LAKE CITY, UTAH
- 9 CHICAGO, ILLINOIS
- 10 BURLINGTON, N. CAROLINA

INTERNATIONAL LOCATIONS

- 11 ONTARIO, CANADA
- 12 JUAREZ, MEXICO
- 13 MADRID, SPAIN
- 14 TAINAN, TAIWAN
- 15 NEUMARKT, GERMANY
- 16 SHANGHAI, CHINA
- 17 MILTON KEYNES, UNITED KINGDOM
- 18 SYDNEY, AUSTRALIA
- 19 FUKUSHIMA, JAPAN

STOCK IS AVAILABLE FOR SAME DAY SHIPMENT FROM ANY ONE OF OUR MANY LOCATIONS. SALES REPRESENTATIVES AND TECHNICAL SUPPORT STAFF ARE AVAILABLE TO OUR CUSTOMERS NATIONWIDE.

Contact

TO ORDER OUR PRODUCTS, OR IF YOU HAVE ANY QUESTIONS, PLEASE CONTACT OUR CUSTOMER SERVICE TEAM.

PHONE: 1.800.BUY.RIVET (1.800.289.7483)
 FAX: 201.750.1050
 WEBSITE: WWW.RIVET.COM



RIVETKING® TIMELINE	04
RIVETKING® QUALITY SERVICES	05
PERFORMANCE TESTING CAPABILITIES	

TOOLS

BLIND RIVET HAND TOOLS	06
PNEUDRAULIC & ELECTRIC	
BLIND RIVET TOOLS - POW.	07
PNEUMATIC & PNEUDRAULIC	
RIVETNUT TOOLS	08
AUTOMATION	09
KINGSET™	10-11
COLLAR BOLT TOOLS AND TOOL KITS	12
RIVETNUT TOOLS	13
PNEUMATIC & PNEUDRAULIC	

STANDARD BLIND RIVETS

RIVET IDENTIFICATION GUIDE	14
RIVETKING® PRODUCT OVERVIEW	15-16
RIVETKING® GUIDE TO SELECTING RIVETS	18
ABA SERIES	19
ALL ALUMINUM RIVETS • OPEN END	
ABS SERIES	20
ALUMINUM/STEEL RIVETS • OPEN END	
SBS SERIES	21
ALL STEEL BLIND RIVETS • OPEN END	
FBS SERIES	22
STAINLESS/STEEL RIVETS • OPEN END	
FBF SERIES	23
ALL STAINLESS RIVETS • OPEN END	
BACK UP WASHERS	24
CBB & CBS SERIES	25
COPPER/BRASS AND COPPER/STEEL	
ABA-CE SERIES	26
ALL ALUMINUM RIVETS • CLOSED END	
ABS-CE SERIES	27
ALUMINUM/ STEEL • CLOSED END	
SBS-CE SERIES	28
ALL STEEL • CLOSED END	
FBF-CE SERIES	29
ALL STAINLESS • CLOSED END	

SPECIALTY BLIND RIVETS

MULTIGRIP ABS-RT™ SERIES	30
“RING STYLE” • MULTIGRIP-RT™	
MULTIGRIP ABA-RT™ SERIES	31
“RING STYLE” • MULTIGRIP-RT™	
MULTIGRIP ABS-CT™ SERIES	32
“CRIMP STYLE” • MULTIGRIP-CT™	



RivetKing® Table of Contents

MULTIGRIP SBS-CT™ SERIES 33 "CRIMP STYLE" • MULTIGRIP-CT™	33
QUICKSNAP® 33	33
RKQ® 34 SELF PLUGGING BLIND RIVET	34
RIVEX® 35 HIGH STRENGTH ALL STEEL MULTIGRIP™	35
RIVINOX® 36 STAINLESS STEEL • HIGH SHEAR • REAR FLANGE RIVET	36
RIVIBULB® 36 ALL STEEL • HIGH SHEAR • REAR FLANGE RIVET	36
CHECKMATE® 37 2 PIECE RIVET • MALE/FEMALE	37
TRIFIX® 38 ALUMINUM TRI FOLDING RIVET	38
SUPER TRIFIX® 39 ALUMINUM STRUCTURAL TRI FOLDING RIVET	39
GROOVED RIVETS™ 39	39
PLASTIC TRIFIX® 40 PLASTIC TRI FOLDING RIVET	40
PLR™ PEEL RIVET 41 ALUMINUM/ STEEL	41
LONG LENGTH RIVET 42 ALUMINUM/ STEEL LONG LENGTH BLIND RIVETS DOME HEAD	42

STRUCTURAL BLIND RIVETS

STEMLOCK® 43 STRUCTURAL BLIND RIVETS • STEEL / ALUMINUM	43
TIGERBOLT® 44 STRUCTURAL BLIND RIVET S • EXTERNAL LOCKING	44
IN-LOCK® 45 STRUCTURAL BLIND RIVET S • INTERNAL LOCKING	45
RIVBOLT™ 46 STEEL / STEEL	46
COLLARBOLT™ MULTI-GRIP LOCKBOLT 47	47
COLLARBOLT™ FIXED GRIP LOCKBOLT 48-49	48-49

DRIVE RIVETS

DRIVE RIVETS 50	50
LARGE DIAMETER DRIVE RIVET 51	51
TRAILER LINER DRIVE RIVET 52	52

RIVETNUTS

RIVETNUT PICTORIAL CONTENTS 54	54
RIVETNUT PRODUCT OVERVIEW 55	55
RIVETNUT DESIGN CONSIDERATIONS 56	56
IKF SERIES® 57 ROUND BODY (KNURLED), LOW PROFILE HEAD, AMERICAN STANDARD	57
IKR SERIES® 58 ROUND BODY (KNURLED), REDUCED HEAD, AMERICAN STANDARD	58

IRL SERIES™ 59 ROUND BODY (SMOOTH), LARGE HEAD, AMERICAN STANDARD	59
IRR SERIES™ 60 ROUND BODY (SMOOTH), REDUCED HEAD, FOR STANDARD DRILL HOLE SIZES	60
QUADRAFOLD - IPB/IPN SERIES™ 61 PRE-BULBED AND STRAIGHT SHANK FOR PLASTICS AND THIN SHEETS	61
JK SERIES™ 62 STAMPED NUTS, FOR PLASTICS AND THIN SHEETS	62
RUBBER NUTS, JF SERIES™ 63 NEOPRENE AND EPDM INSERTS	63
ISR SERIES™ 64 SWAGING SERIES, STRAIGHT KNURL, AMERICAN STANDARD	64
ISN SERIES™ 64 SWAGING SERIES, DIAMOND KNURL (FOR PLASTICS), U.S. STANDARD	64
IHF SERIES™ 65 HEX BODY, LOW PROFILE HEAD, AMERICAN STANDARD	65
EXPENDABLE (THROW AWAY) 66 RIVET NUT INSTALLATION TOOL	66
NKL SERIES™ 67 ROUND BODY, LARGE HEAD, EURO STANDARD	67
NKR SERIES™ 68 ROUND BODY, REDUCED HEAD, EURO STANDARD	68
NKC SERIES™ 69 COUNTERSUNK HEAD	69
NSL SERIES™ 70 SERRATED LARGE HEAD, SMOOTH BODY, EURO STANDARD	70
NHL SERIES™ 71 FULL HEX BODY, LARGE HEAD, EURO STANDARD	71
NHR SERIES™ 72 FULL HEX BODY, REDUCED HEAD, EURO STANDARD	72
CROSS REFERENCE GUIDES 73-74	73-74

QUICKRIVETING SYSTEM

WHAT IS QUICKRIVETING? 76	76
RIVETKING® RK-753™ ASSEMBLY TOOL 77	77
ZIPRIV® 78	78
ZIPSHO® 79	79
ZIPSCREW® 80	80
MANDREL & SPRING CONSUMABLES 81	81
NOSE JAW SELECTION 82	82
FASTENER & TOOLING SELECTION 83	83
SET-UP & ASSEMBLY PROCESS 84	84
CROSS REFERENCE GUIDES 85-87	85-87



RivetKing® Timeline

Founded in 1912, Industrial Rivet & Fastener Company has grown from a primarily local operation with four employees to a global distributor, manufacturer and importer with nine international locations, 10 U.S. distribution centers and 48 employees serving customers both around the corner and across the globe.

1912

Established in NYC as a supplier to NY Port Authority for bridges, representing Bethlehem Steel in the NYC area



1914

Began carrying stock to support demand

1944

Developed specialty fasteners to support war efforts



1930

Expanded product line to smaller diameter products

1950

First documented evidence that IRFCO became known and named by its customers as the "RivetKing"



1962

Sales and marketing developed the RivetKing brand into an entire product line

1968

General Rivet Manufacturing opened for business and would ultimately be purchased by IRFCO in 1992. General Rivet manufactured solid and semitubular rivets and developed a semitubular product line for small electronics.



1975

Established IRF Taiwan as manufacturing arm for production

1998

Moved corporate headquarters to Northvale, NJ combining manufacturing and distribution functions. Became ISO9001



2000

Expanded product line to include blind rivets and blind threaded inserts. Established warehousing in Mexico

2009

IRF Germany opened



2005

10 new domestic warehouses opened in Texas, California, Kansas City, Canada, Denver, Salt Lake City, and Chicago

2010

Developed the database logging and live retrieval of force testing, dimensional inspection and salt spray testing data



2008

Significant technology upgrade to conform to ISO 17025 in quality control and engineering, including purchase of salt spray, force, and micro hardness testing equipment. All quality systems conform to ISO/TS 16949 and ISO17025

2011

IRF Japan and IRF Australia opened



2012

100 Year Anniversary
Launch of Green Initiative



RivetKing® QUALITY SERVICES

Performance Testing Capabilities

RivetKing® products are quality tested on state of the art inspection equipment. Our capabilities include Salt Spray Testing, Shear Testing, Tensile Testing, Pushout Testing, Mandrel Retention Testing and Lock Strength Testing. Data is gathered across production lots and retained on file for 3 years. Graphic representations of performance are available and provided upon request. Product/Lot/Competitor comparisons are performed regularly.

FORCE TESTING

When needed, we can measure a rivets performance with our MTM, a machine used to detect force. The resulting curve plots load force needed to set or break a rivet. This fingerprint allows us to more exactly determine the holding power of the riveted assembly and/or further evaluate its performance. We can detect small differences in performance and its results go directly to R & D to further improve the performance of our product, and yours.

SALT FOG TESTING

On a regular basis we check all spec finishes with our advanced salt spray testing equipment. Nationally rated and quality certified, we provide test results to measure the effectiveness of our finishes, before and after riveting as necessary. Temperatures are controlled and monitored 24 hours a day, 365 days a year via our windows based control software. Reports are generated regularly for internal use and for customers.



TENSILE TESTING



BREAKLOAD TESTING



SHEAR TESTING



LOCKFORCE TESTING



MANDREL RETENTION TESTING



FORCE TESTING
IFI135 & ISO 14589



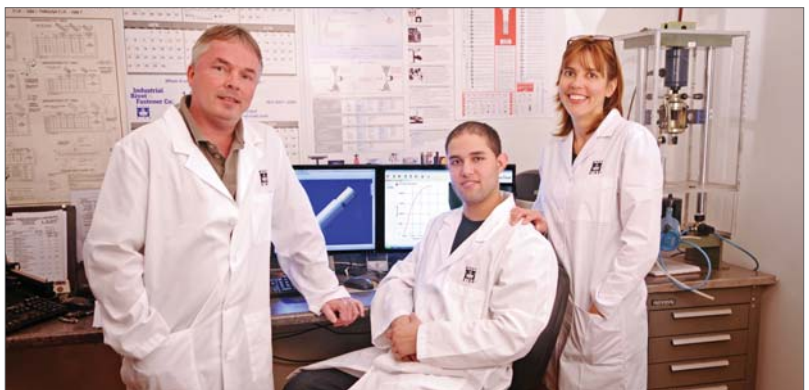
SALT SPRAY TESTING
ASTMB117-07A & ISO 9227

WE ARE HERE FOR YOU

Our trained personnel are here to serve our customers. If you have any questions, please call our quality control department or one of our applications engineers. Tap into our capabilities, we're here to serve you.

Industrial Rivet & Fastener Co.
200 Paris Avenue
Northvale, New Jersey 07647
U.S.A.

Tel: (201) 750-1040
Fax: (201) 750-1050
www.rivet.com



BLIND RIVETING TOOLS

RK-65 3/16" MAX.
NOSEPIECES ONBOARD



RK-65 BLIND RIVETING TOOL	
PART NUMBER	DESCRIPTION
RK65	BOX PACKAGING
RK65-A	KIT W/ALUMINUM RIVETS
RK65-S	KIT W/STEEL RIVETS
RK65-F	KIT W/STAINLESS RIVETS



RK-69 3/16" MAX.
NOSEPIECES ONBOARD



CN-6B 3/16" MAX.
NOSEPIECES ONBOARD



RIVETKING® 2 IN 1- BLIND RIVET & RIVET NUT TOOL



RK-21 BLIND RIVETS = 1/4" & STRUCTURAL RIVET
NUTS = 3/8" OR 10MM

WHY BUY TWO TOOLS WHEN YOU ONLY NEED ONE?

This unique tool has the ability to set both blind rivets and rivetnuts. It even has the ability to set 1/4" structural blind rivets and rivetnuts up to 3/8". The changeover from blind rivets to rivet nuts is simple and takes less than 1 minute. It's patented fold away design makes it easy to carry and store. It contains a nose piece for blind rivets and mandrels for rivetnuts in every size and is conveniently stored in the blow molded carry case. Forged Steel arms insure durability while comfort soft touch rubberized grips guarantee comfort.

RK-93 3/16" MAX.
NOSEPIECES ONBOARD

COINED AS THE BIG MAMMA, THIS GEARED RIVETING TOOL HAS EXTREME MECHANICAL ADVANTAGE AND CAN SET EVEN STRUCTURAL RIVETS WITH EASE DUE TO ITS LONG STROKE AND HIGH POWER. THE HANDLES ARE DESIGNED TO PROVIDE THE USER WITH EXTREME LEVERAGE IN DEMANDING APPLICATIONS



KINGSET RIVETING SYSTEMS

Rivets are provided on a continuous feed system. Rivets are factory installed in Polyester film which is fed through the nose of the riveter. Once the rivet is applied the next rivet is fed to the nose. Spent mandrels are drawing into a mandrel catcher located at the rear of the tool. Most standard blind break stem blind rivet can be installed into the Polyester film strips.

AVAILABLE MODELS	
RK4500-KS5	1/8" & 5/32"
RK4500-KS6	3/16"



RivetKing® rivets that can be installed into Polyester film strips:

Standard Rivets:

- Open End
- Closed End
- MultiGrip™
- Trifix
- PLR™ Rivet

Semi-Structural Rivets:

- RKQ™
- Rivinox®
- Rivex®
- Rivibulb®
- SuperTriFix™

Structural Rivets:

- In-Lock®

RK-8000 SERIES RIVETKING® TOOLS

QUICK, LIGHT, ERGONOMIC AND SHOCK RESISTANT.

The RK-8000 Series is the best choice for demanding, high volume production-oriented environments. Triple Jaws, and Vacuum mandrel collection comes standard.

The RK-8000S is perfect for 1/8" diameter rivets, while the RK-8000M is best for 3/16" and 5/32". For extended grip or structural rivet applications, the RK-8000LS is suggested. The RK-8000LS is designed with an extra long stroke to insure that the rivet is applied and mandrel is withdrawn completely from the rivet in almost any grip range.

RK-8000S 5/32" MAX. & STRUCTURALS



RK-8000M 3/16" MAX. & STRUCTURALS



RIVETKING® LONG STROKE - RK-8000LS

RK-8000LS = LONG STROKE PERFORMANCE!

Extra long stroke, lightweight, ergonomic and shock resistant with triple jaws and vacuum mandrel collection. The RivetKing® RK-8000LS is perfect in long stroke applications such as:

RK-8000LS 1/4" MAX. & STRUCTURALS



THE RK-8000LS IS BEST FOR:

- Structural Rivets
- PLR™ Rivet
- Trifold Rivets
- Long Length Rivets
- Rivets used outside the intended grip range

RK-BCS BUCKET COLLECTION SYSTEM

The bucket collection system comes integrated with a high power pneumatic vacuum which is attached via a small hose in place of the mandrel collection cup. It will withdraw spent mandrels up to 10 feet away from the RK-8000 riveter.



RK SERIES RIVETKING® ECONOLINE™ TOOLS

BUILT WITH QUALITY AND ECONOMY IN MIND, THE RK SERIES RIVETERS HAVE ENOUGH FORCE TO PULL ANY RIVET.

Perfect for DIY market and for situations where abuse or theft is of concern. The RK-6000VS is an ergonomic and lightweight model that has Vacuum Mandrel collection and is a break-away from the traditional design.

MODEL# RK-187
 3/16" MAX.
 Power: 1,980 lbsF
 Stroke: .625"
 Weight: 3.3 lbs



MODEL# RK-250
 1/4" MAX. & STRUCTURALS
 Power: 4,200 lbsF
 Stroke: .687"
 Weight: 4.3 lbs



MODEL# RK-6000VS
 ERGONOMIN MODEL
 Power: 2,248 lbsF
 Stroke: .669"
 Weight: 4.1 lbs



MODEL# RK-INLINE
 3/16" MAX.
 Power: 1,980 lbsF
 Stroke: .625"
 Weight: 3.3 lbs



RK-400CR BATTERY POWERED CORDLESS RIVET GUN

The RK-400CR cordless battery powered riveter is ideal for off-line and outdoor riveting applications where compressed air is not available.

RK-400CR FEATURES:

- 14.4V Lithium battery, cordless electric riveter.
- Sets up to 3/16" rivets in all materials.
- Includes 3 nosepieces for 1/8", 5/32", and 3/16" rivets.
- Compact, lightweight design.
- "Quick Set" trigger mechanism for rapid rivet placement.
- Comes packaged with charger and battery pack in molded plastic carrying case for convenient field use.
- Ideal for off-line and outdoor riveting applications where compressed air is not available.
- Designed with built in mandrel collector.



Capacity: 3/32" (2.4 mm)
 3/16" (4.8 mm)
 Stroke Length: 0.79" (20 mm)
 Traction Power: 1,870 lbs. (850 kg)
 Weight with Li-ion: 4.6 lbs. (2.1 kg)
 Battery pack: 14.4 V/Li-ion / 3.0 A.h
 Charge time: Approximately 60 min.
 Tool accepted: Ni-cad / Ni-MH / Li-ion

BLIND RIVETING TOOLS

RK-65 **3/16" MAX.**
NOSEPIECES ONBOARD

RK-65 BLIND RIVETING TOOL

PART NUMBER	DESCRIPTION
RK65	BOX PACKAGING
RK65-A	KIT W/ALUMINUM RIVETS
RK65-S	KIT W/STEEL RIVETS
RK65-F	KIT W/STAINLESS RIVETS

RK-69 **3/16" MAX.**
NOSEPIECES ONBOARD

CN-6B **3/16" MAX.**
NOSEPIECES ONBOARD

RIVETKING® 2 IN 1- BLIND RIVET & RIVET NUT TOOL

RK-21 **BLIND RIVETS = 1/4" & STRUCTURAL RIVET**
NUTS = 3/8" OR 10MM

"OR"

RK-93 **3/16" MAX.**
NOSEPIECES ONBOARD

COINED AS THE BIG MAMMA, THIS GEARED RIVETING TOOL HAS EXTREME MECHANICAL ADVANTAGE AND CAN SET EVEN STRUCTURAL RIVETS WITH EASE DUE TO ITS LONG STROKE AND HIGH POWER. THE HANDLES ARE DESIGNED TO PROVIDE THE USER WITH EXTREME LEVERAGE IN DEMANDING APPLICATIONS

MANUAL RIVETING TOOLS

RK-100 **1/4-20"**
6MM MAX.

RK-100 RIVETNUT TOOLS

PART NUMBER	DESCRIPTION
RK100	BOX PACKAGING
RK100-AK	KIT W/ALUMINUM RIVETS
RK100-SK	KIT W/STEEL RIVETS
RK100-3K	KIT W/STAINLESS RIVETS

RK-21 **3/8"**
10MM MAX.

CN-12 **1/4-20" MAX.**

CN28B **3/8"**
10MM MAX.



QUICKRIVETING SYSTEM®

Rivets are provided on magazines called pods with up to 80 rivets on a pod. Pods are easily loaded into a lightweight 3lb riveting handle for installation of up to 1 rivet per second. Rivets are installed by the withdrawal of a re-usable mandrel and radially expanding the entire body of the rivet. Because the mandrel is completely withdrawn there is no mandrel waste on the assembly floor. Perfect for electronics applications.

ADDITIONAL ADDED VALUE FEATURES INCLUDE:

- Increased Output
- Reduced Labor
- Minimal Waste
- Improved Ergonomics
- Cost Savings
- Improved Joint Quality and Performance
- Fine Tuning and Flexibility
- Reliability and Consistency

QuickRivets®, ZipRiv®, ZipSho®, ZipScrew®



RK-753 STANDARD MODEL



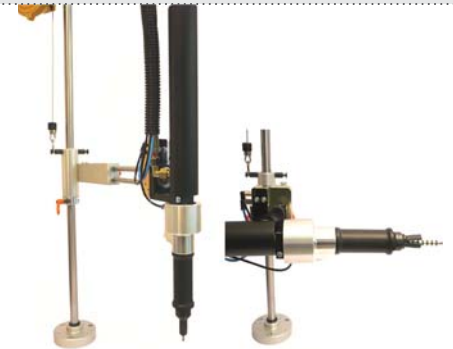
RK-753-T TOP MOUNT MODEL



RK-753-I STANDALONE RIVETING TOOL



RK-753-P3 PANTOGRAPH RIVETING TOOL



FOR KINGSET AUTOMATION SEE PAGE 5

KINGSET™ – A REVOLUTIONARY RIVET DELIVERY SYSTEM

KINGSET™ IS A SOPHISTICATED HANDHELD RIVETING SYSTEM THAT PROVIDES USERS A TRULY UNPRECEDENTED LEVEL OF FUNCTIONALITY.

With auto-feed capabilities – KingSet™ can be used to set any type of 1/8", 5/32" and 3/16" breakstem blind rivet pre-loaded on tape. And since KingSet™ has been engineered and designed for different application ranges, it can easily adapt to a variety of manufacturing environments.

The incredible flexibility of our best-in-class rivet delivery system also provides a fast setting operation that includes rapid reload and cycle times. The result is an immediate increase in productivity and significant cost savings with the reduction of in-place installation. For even greater efficiency, an adjustable vacuum system minimizes air consumption based specifically on the size of the rivet being set.

KingSet™ is a fully balanced tool that can be used horizontally or vertically with a highly efficient operation that allows for automatic feeding while holding work pieces in place. This ensures a safe work place.

Perfect for mid-range applications, KingSet™ provides a reliable joint while reducing the assembly of appliances, automotive electronic chassis, and metal fabrications.



KINGSET™ STREAMLINES THE ASSEMBLY

Sheet Metal Fabrications Including Appliances, Automotive Products, Signage, and More.



SERVICE AND SUPPORT



With eight international locations, ten U.S. distribution centers, and nearly seventy employees – RivetKing® is uniquely positioned to deliver a superior and innovative product set backed by exemplary service and unmatched quality.

When you choose KingSet™, our Application Engineers will conduct an in-depth evaluation of your operations and make recommendations on how this automated, handheld tool can best work in your environment. In addition, our experts are always available by phone or on site to provide technical support for any product; even another manufacturer's current and past rivet delivery systems.

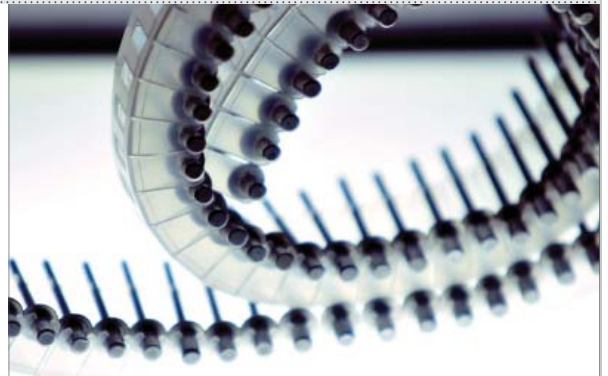
Simply put, KingSet™ gives you all the reliability you are used to, but with a far greater range of applications and with the ability to use our self-feed riveting system with any manufacturer's rivets.

RIVETKING® FOR EVERYTHING YOU NEED

As a world-class manufacturer, distributor and importer – RivetKing® gives you access to the industry's deepest inventory of ready-made rivets. Our extensive knowledge of permanent fasteners and vast manufacturing network also means we can make custom products in any head style, length, material and finish, including:

- BLIND RIVETS
- SPEED RIVETS
- RIVET NUTS
- SOLID RIVETS
- SEMI-TUBULAR RIVETS
- SPLIT RIVETS
- SHOULDER RIVETS
- COLLAR RIVETS
- DRIVE RIVETS
- LOCKBOLTS

All this is combined with a wide array of innovative rivet delivery systems, including our ground breaking KingSet™ handheld tool.



BENEFITS AT A GLANCE

AUTO-FEED

- Pre-loaded rivets on tape

FAST OPERATION

- Reload time: 8-10 seconds
- Cycle time: 2 seconds

EASY-TO-USE

- One-touch cycle
- Built-in MCS
- Adjustable vacuum

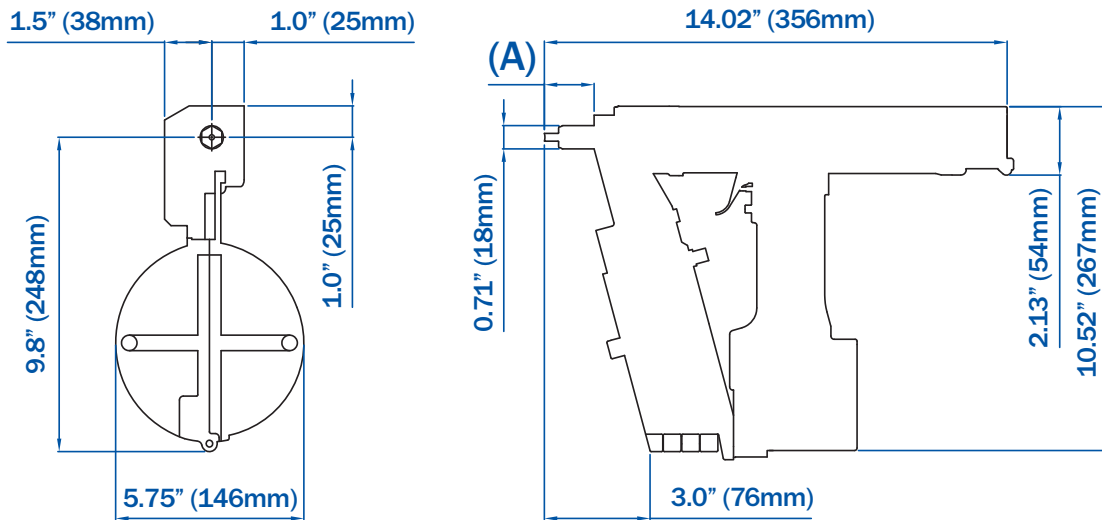
PORTABLE

- One free hand
- Ergonomically weight balanced

RELIABLE

- Three jaw system
- Longer maintenance interval

MODEL	(A) LENGTH
RK4500-KS5	1.33" (34MM)
RK4500-KS6	1.10" (28MM)



RIVETKING®	ABA Aluminum/ Aluminum			ABS Aluminum/Steel			SBS Steel/Steel			FBS Steel/Stainless			FBF Stainless/Stainless		
	1/8"	5/32"	3/16"	1/8"	5/32"	3/16"	1/8"	5/32"	3/16"	1/8"	5/32"	3/16"	1/8"	5/32"	3/16"
OPEN END	Blue	Blue	Blue	Blue	Blue	Blue	Blue	Blue	Blue	Blue	Blue	Blue	Blue	Blue	Blue
CLOSED END	Blue	Blue	Blue	Blue	Blue	Blue	Blue	Blue	Blue	Blue	Blue	Blue	Blue	Blue	Blue
MULTIGRIP CT™	Blue	Blue	Blue	Blue	Blue	Blue	Blue	Blue	Blue	Blue	Blue	Blue	Blue	Blue	Blue
MULTIGRIP RT™	Blue	Blue	Blue	Blue	Blue	Blue	Blue	Blue	Blue	Blue	Blue	Blue	Blue	Blue	Blue
RK-Q®	Blue	Blue	Blue	Blue	Blue	Blue	Blue	Blue	Blue	Blue	Blue	Blue	Blue	Blue	Blue
RIVEX®	Blue	Blue	Blue	Blue	Blue	Blue	Blue	Blue	Blue	Blue	Blue	Blue	Blue	Blue	Blue
RIVIBULB®	Blue	Blue	Blue	Blue	Blue	Blue	Blue	Blue	Blue	Blue	Blue	Blue	Blue	Blue	Blue
RIVINOX®	Blue	Blue	Blue	Blue	Blue	Blue	Blue	Blue	Blue	Blue	Blue	Blue	Blue	Blue	Blue
GENTLESET™	Blue	Blue	Blue	Blue	Blue	Blue	Blue	Blue	Blue	Blue	Blue	Blue	Blue	Blue	Blue
EASY ENTRY	Blue	Blue	Blue	Blue	Blue	Blue	Blue	Blue	Blue	Blue	Blue	Blue	Blue	Blue	Blue
GROOVED RIVETS	Blue	Blue	Blue	Blue	Blue	Blue	Blue	Blue	Blue	Blue	Blue	Blue	Blue	Blue	Blue
PLR RIVETS™	Blue	Blue	Blue	Blue	Blue	Blue	Blue	Blue	Blue	Blue	Blue	Blue	Blue	Blue	Blue
TRIFIX®	Blue	Blue	Blue	Blue	Blue	Blue	Blue	Blue	Blue	Blue	Blue	Blue	Blue	Blue	Blue
INLOCK® STRUCTURAL	Blue	Blue	Blue	Blue	Blue	Blue	Blue	Blue	Blue	Blue	Blue	Blue	Blue	Blue	Blue
TIGERBOLT® STRUCTURAL	Blue	Blue	Blue	Blue	Blue	Blue	Blue	Blue	Blue	Blue	Blue	Blue	Blue	Blue	Blue

APPROVED FOR USE WITH KINGSET™ (.600 MAXIMUM RIVET BODY LENGTH)
 APPLICATION TESTING REQUIRED, SUBJECT TO RIVETKING DESIGN ENGINEERS' APPROVAL
 NOT RECOMMENDED FOR USE WITH KINGSET™
 NOT APPLICABLE

COLLAR BOLT INSTALLATION TOOLS

RK-722 1/4" MAX



RK-745 3/8" MAX



RK-756 3/8" MAX



Collar Bolts & Tools for Collar Bolts larger than 3/8" Diameter are available on request.

COLLAR BOLT INSTALLATION KITS

RivetKing® now offers a complete installation kit for 1/4" thru 3/8" NAS Tension and NAS Shear COLLAR BOLTS and 1/4" thru 5/16" Huck and Cherry Blind Bolts.

The RK745/ RK745/KIT contains:

- Collar Bolts straight noses 1/4", 5/16" & 3/8".
- Blind Bolts straight noses 1/4: & 5/16"

All these items are stored in an easy access carrying case with manuals and data sheets.

RK-745 3/8" MAX



RivetKing® now offers a complete installation kit for 3/16" thru 3/8" MAGNA-GRIP and Maxlok Collar Bolts. The RK756/kit comes with a RK756 installation tool and a set of straight noses.

RK-756 3/8" MAX



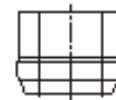
COLLAR BOLT™ FIXED GRIP



COLLAR BOLT™ MULTI GRIP



COLLAR





RivetKing® Rivetnut Tools • Pneumatic & Pseudraulic

TOOLS

RK-50-SP SERIES · RIVETKING® SPIN-PULL TOOLS

Built with quality and economy in mind... the RK series riveters have enough force to pull any rivet economy, value, functionality

The first spin-pull available for a value. With all the bells and whistles, lightweight, and ergonomic. Mandrels are dog pointed and comes in a unique hard case kit.

The RK-50-SP Series has the capability to pull #8 to 1/2-13 with quick change nose pieces. Stroke adjustment is at the bottom of the tool for convenience. This tool has a 1 button trigger.



THREADED INSERT SELECTION INCLUDED:
Sets: 8-32, 10-24, 10-32, 1/4-20, 5/16-18, 3/8-16

THREADED INSERTS ALSO SOLD SEPARATELY:
Sets: 1/4-28, 5/16-24, 3/8-24, 1/2-13, 1/2-20, M5, M6, M8, M10

MODEL# RK-50-SP
1/2" MAX.
M12 MAX.
Power: 6,565 lbsF
Stroke: .276"
Weight: 5.5 lbs

RK-LCD SERIES · RIVETKING® INTELLIGENT TOOLS

THE RK-777N AND RK-787N

The first rivet nut tools that have on-board intelligence. This spin-pull riveter can detect and report differences in the air pressure and stroke and can alert the operator if an improper reading is recorded.

Additional information can be recorded and reset such as # of life cycles, # of maintenance cycles and # of shift/job cycles. With this information preventative maintenance can be accurately performed at regular intervals. The LCD is at the left side of the tool. The trigger is 2 button, 2 stage.



RIVETKING® REVOLUTION™ LIGHTWEIGHT SPIN-SPIN RIVETNUT TOOLS

RIVETNUT TOOLS, ARE AMONG THE LIGHTEST, ERGONOMIC AND IN THE INDUSTRY.

We have all become accustomed to the heavy, steel and aluminum tools available on the market. NO MORE! Welcome to the world of the patented lightweight comfort design. The 2 stage rocker trigger design is unique and the clamshell housing allows for easy access and repair.

1 NOSE PIECE INCLUDED WITH TOOL. OTHERS SOLD SEPERATELY.

RK-1500-Q #10-32" MAX
M5 MAX



THREAD SIZES
• 6/32
• 8/32
• 10/32
• M3
• M4
• M5

RK-500-Q 1/4"-20 MAX
M8 MAX



THREAD SIZES
• 1/4-20
• 1/4-28
• 5/16-18
• 5/16-24
• M6
• M8

RK-280 1/2"-13
M12 MAX



THREAD SIZES
• 3/8-16
• 1/2-13
• 3/8-24
• M10
• M12



RivetKing® Rivet Identification Guide

STANDARD BLIND RIVETS

OPEN END	CLOSED END
 ALL ALUMINUM - ABA ALUMINUM / STEEL - ABS ALL STEEL - SBS STAINLESS STEEL / STEEL - FBS ALL STAINLESS - FBF COPPER / BRASS - CBB BRASS - CBB COPPER / STEEL - CBS COPPER PLATED MANDREL	 ALL ALUMINUM - ABA-CE ALU / STEEL - ABS-CE ALL STEEL - SBS-CE ALL STAINLESS - FBF

ALL PRODUCTS ARE AVAILABLE IN:

PAGES 16-21

PAGES 23-26

MULTIGRIP™ BLIND RIVETS

MULTIGRIP-RT™	MULTIGRIP-CT™
 ALL ALUMINUM - ABA-RT ALU / STEEL - ABS-RT ALL STEEL - SBS-RT ALL STAINLESS STEEL - FBF-RT	 ALU / STEEL - ABS-RT ALL STEEL - SBS-RT ALL STAINLESS STEEL - FBF-RT

PAGES 27-28

PAGES 29-30

SEMI-STRUCTURAL BLIND RIVETS

RKQ®	RIVEX®	RIVINOX®	RIVIBULB®	CHECKMATE® 2PCS	TRI-FIX (TRI-FOLDING) & SUPERTRIFIX™	PLASTIC TRIFIX® RIVETS
 ALL ALUMINUM - ABQ ALL STEEL - SEQ ALL STAINLESS - FBQ	 ALL ALUMINUM - SBS-RVX ALL STEEL - ABA-RIX ALL STAINLESS - FBF-RVX	 ALL STAINLESS - FBF-RVINOX	 ALL STEEL - SBS-RVB	 ALL ALUMINUM - ABACM ALL STEEL - SBS-CM ALUMINUM / STEEL - ABS-CM	 ALL ALUMINUM - ABL F-FLYER LARGE FLANGE - ABL-LF16 ALL ALUMINUM - ABL-STFX (STRUCTURAL) SUPERTRIFIX	 RECTANGLE PROTRUDING COUNTERSUNK

PAGE 31

PAGE 32

PAGE 33

PAGE 33

PAGE 34

PAGES 35-36

PAGE 53

SPECIAL BLIND RIVETS

GROOVED™	PLR™ RIVET	QUICKSNAP®	LONG LENGTH RIVET	DRIVE RIVETS
 ALUMINUM / STEEL - ABS-GROOVED	 ALL STEEL - ABS-PLR	 BRASS, NICKEL PLATED RIVET STAINLESS STEEL MANDREL - BSSH	 ALUMINUM / STEEL - ABS-LONGLENGTH	 ALL MATERIALS - DR

PAGE 36

PAGE 37

PAGE 38

PAGE 39

PAGES 50-52

TRADE NAME CROSS REFERENCE CHART

RIVETKING®	AVDEL®	POP®	HUCK®	MARSON®	GESIPA®
MultiGripCT™	Avex®	Peel	-	MultiGrip™	PolyGrip®
MultiGripRT™	-	-	-	-	-
TriFix™	Bulbex®	LSH®	Tri-Bulb™	-	TriFold
SuperTriFix™	TLR®	-	Magna-Tite™	-	BulbTite®
Checkmate®	Cherrymate™	-	-	-	-
Tigerbolt®	MonoBolt®	-	-	-	-
In-Lock®	Interlock®	UltraGrip®	Magna-lok™	Klik-Lock™	MegaGrip®
StemLock™	Hemlok®	-	Auto-Bulb™	-	-
Rivex®	Stavex®	-	-	-	-
Rivinox®	Avinox®	-	-	-	-
Rivibulb®	AviBulb®	-	-	-	-

STRUCTURAL BLIND RIVETS

TIGERBOLT®	IN-LOCK®	STEMLOCK®	RIVBOLT™	COLLAR BOLT FIXED GRIP	COLLAR BOLT MULTI GRIP
 ALL STEEL - SBS-TB ALL STAINLESS - FBF-TB COUNTERSUNK - SCS-TB ALL ALUMINUM - ABA-TB	 ALL ALUMINUM - ABS-STR ALL STEEL - SBS-STR	 ALL STAINLESS - FBF-STR ALL STEEL - STM ALL ALUMINUM - STMA	 ALL STEEL - RB	 BRAZIER HEAD TRUSS HEAD FLUSH HEAD	 BUTTON HEAD TRUSS HEAD FLUSH HEAD BROAD TRUSS HEAD RIVET HEAD

PAGE 40

PAGE 41

PAGE 42

PAGE 43

PAGE 44

PAGE 46

PAGE 44

LSR LOAD® SPREADING, PEEL RIVET®, WELL-NUT®, ULTRAGRIP®, GROOVED RIVETS, JACK-NUT®, HR RIVET®, EASY ENTRY®, POPNUT®, SOFT SET®, CLOSED END, PROSET®, MULTIGRIP™, OPEN END, PRG SERIES, POPMATIC RIVET TOOLS® ARE REGISTERED TRADEMARKS OF POP® EMHART FASTENING TECHNOLOGIES, INDUSTRIAL DIVISION, A BLACK & DECKER COMPANY. GRIPRITE, OPEN END, CLOSED END, MULTI-GRIP®, TRI-BULB®, KLIK-LOCK®, MAGNATITE®, C6L®, KLIK RIVET NUTS®, MAGNALOK®, C50L®, KLIK-SERTS/POLYNUTS®, AUTO-BULK/MANABULB®, C120L®, 302E / 304E, STRONGHOLD™, MAGNAGRIP®, M SERIES, AUTOCLAMP®, BOM RIVET®, V SERIES, PEELIS, HUCKTAINER®, KLIK-FAST®, FLOORITTE, FI SERIES ARE REGISTERED TRADEMARKS OF HUCK® - MARSON®, ALCOA FASTENING SYSTEMS. AVEX®, AVIBULB®/AVINOX®, SUPERSERT®, BULBEX®, EARTHTAB RIVET, GENESIS TOOLS®, KLAMPITTE®/TLR, BRIV®, AVDEL SPEED FASTENING®, MONOBOLT®, CHOBERT®, N RIVET, INTERLOCK®, RIVSCREW®, SR RIVET, HEMLOK®, GROVIT®, Q-RIVET®, STAVEX®, CHERRYMATE®, AVTRONIC®, AVEDELOK®, MAXLOK®, CAMTAINER®, VERSANUT® ARE REGISTERED TRADEMARKS OF AVDEL®, ACUMENT™ GLOBAL TECHNOLOGIES COMPANY, COPYRIGHT © 2007 ACUMENT™ INTELLECTUAL PROPERTIES LLC. OPEN END, CELUSPLIT®, CEL-NUT®, CLOSED END, TIGERBOLT®, LA COBRA, MULTIGRIP™ ARE REGISTERED TRADEMARKS OF CELUS® BRAND A RIVETKING® COMPANY. OPEN END, CAP RIVETS®, TAURUS, POLYGRIP, TRI-FOLD®, PH SERIES, GROOVED RIVETS, BULB-TITE®, GAV SYSTEMS®, PEEL, MEGAGRIP® ARE REGISTERED TRADEMARKS OF GESIPA® FASTENERS USA, INC. COPYRIGHT 2008®.

BLIND RIVETS • COLLAR BOLTS • RIVET NUTS • TOOLS • QUICKRIVETS • DRIVE RIVETS



LIGHT DUTY	MEDIUM DUTY	HEAVY DUTY (STRUCTURAL)	FIXED HOLE SIZE	VARIABLE / OVERSIZE HOLE	FIXED GRIP RANGE	VARIABLE GRIP RANGE	EXTRA WIDE GRIP RANGE	WEATHER RESISTANT / WATERTIGHT	FASTENING TO METAL	FOR THIN, SOFT OR BRITTLE MATERIALS	FASTENING TO WOOD	INTERNALLY LOCKED MANDREL (HIDDEN)	INTERNALLY LOCKED MANDREL (VISIBLE)	EXTERNALLY LOCKED MANDREL	NON-MECHANICAL LOCKED MANDREL	AESTHETIC BACKSIDE PORTRUSION	REMOVABLE	INCREASED ASSEMBLY SPEED
------------	-------------	-------------------------	-----------------	--------------------------	------------------	---------------------	-----------------------	--------------------------------	--------------------	-------------------------------------	-------------------	------------------------------------	-------------------------------------	---------------------------	-------------------------------	-------------------------------	-----------	--------------------------

RIVETKING®	POP®	AVDEL®	HUCK®	GESIPA®	MARSON®	CELUS®	LIGHT DUTY	MEDIUM DUTY	HEAVY DUTY (STRUCTURAL)	FIXED HOLE SIZE	VARIABLE / OVERSIZE HOLE	FIXED GRIP RANGE	VARIABLE GRIP RANGE	EXTRA WIDE GRIP RANGE	WEATHER RESISTANT / WATERTIGHT	FASTENING TO METAL	FOR THIN, SOFT OR BRITTLE MATERIALS	FASTENING TO WOOD	INTERNALLY LOCKED MANDREL (HIDDEN)	INTERNALLY LOCKED MANDREL (VISIBLE)	EXTERNALLY LOCKED MANDREL	NON-MECHANICAL LOCKED MANDREL	AESTHETIC BACKSIDE PORTRUSION	REMOVABLE	INCREASED ASSEMBLY SPEED	
STANDARD BLIND RIVETS																										
OPEN END	OPEN END	N RIVET	GRIPRITE	OPEN END	OPEN END	OPEN END	◆			◆		◆				◆										
CLOSED END	CLOSED END	SR RIVET		CAP RIVETS®	CLOSED END	CLOSED END	◆			◆		◆			◆											
MULTIGRIP™ RIVETS																										
MULTI-GRIP-RT™ / MULTI-GRIP-CT™	MULTIGRIP™	AVEX®		POLYGRIP	MULTI-GRIP™	MULTIGRIP™	◆			◆		◆			◆											
TRI-FOLDING / LOAD SPREADING RIVETS																										
TRIFIX™	LSR LOAD® SPREADING	BULBEX®		TRI-FOLD®	TRI-BULB®	CELUSPLIT®	◆				◆	◆			◆	◆										
SUPERTRIFIX™		KLAMPTITE® / TLR*	MAGNATITE®	BULB-TITE®			◆				◆	◆			◆	◆										
STRUCTURAL BLIND RIVETS																										
TIGERBOLT®		MONOBOLT®				TIGERBOLT®			◆	◆			◆		◆	◆						◆				
IN-LOCK®	ULTRAGRIP®	INTERLOCK®	MAGNALOK®	MEGAGRIP®	KLIK-LOCK®				◆	◆			◆		◆	◆					◆					
STEMLOCK™		HEMLOK®	AUTO-BULB / MAGNABULB®		KLIK-FAST®				◆	◆			◆		◆	◆					◆		◆		◆	
RIVBOLT™			BOM™						◆	◆			◆		◆	◆					◆		◆		◆	
SEMI-STRUCTURAL BLIND RIVETS																										
RKQ™		Q-RIVET®	STRONGHOLD™						◆	◆					◆	◆						◆				
RIVEX®		STAVEX®							◆			◆			◆	◆							◆		◆	
RIVINOX® / RIVIBULB®	HR RIVET®	AVIBULB® / AVINOX®							◆			◆	◆		◆	◆						◆	◆		◆	
EXTRA WIDE GRIP RIVETS																										
CHECKMATE®		CHERRYMATE®					◆			◆					◆	◆	◆									
TUBERIVETS™			AUTOCLAMP®				◆			◆					◆	◆	◆						◆			
SPECIALITY BLIND RIVETS																										
GENTLESET™	SOFT SET®						◆			◆		◆			◆	◆										
EASY ENTRY™	EASY ENTRY®						◆			◆		◆			◆	◆									◆	
GROOVED RIVETS	GROOVED RIVETS			GROOVED RIVETS			◆								◆	◆										
PLR™ RIVETS	PEEL RIVET		PEEL	PEEL			◆					◆	◆		◆	◆										
QUIKSNAP®						QUIKSNAP®	◆			◆		◆														
SPEED FASTENING™ / QUICKRIVETING																										
ZIPRIV™		BRIV®					◆			◆		◆			◆	◆							◆		◆	
ZIPSHO™		CHOBERT®					◆			◆		◆			◆	◆							◆		◆	
ZIPSCREW™		RIVSCREW®					◆			◆		◆			◆	◆							◆		◆	
ZIPGROOVE™		GROVIT®					◆			◆		◆			◆	◆							◆		◆	
ZIPTRONIC™		AVTRONIC®					◆			◆		◆			◆	◆							◆		◆	

◆ STANDARD FEATURE ◆ APPLICATION / PRODUCT DEPENDENT

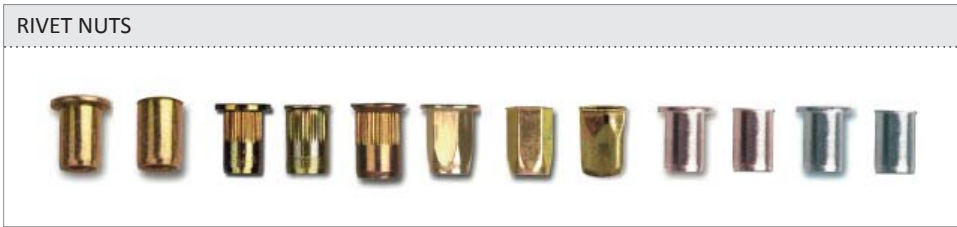
LSR LOAD® SPREADING, PEEL RIVET®, WELL-NUT®, ULTRAGRIP®, GROOVED RIVETS, JACK-NUT®, HR RIVET®, EASY ENTRY®, POPNUT®, SOFT SET®, CLOSED END, PROSET®, MULTIGRIP™, OPEN END, PRG SERIES, POPMATIC RIVET TOOLS® ARE REGISTERED TRADEMARKS OF **POP® EMHART FASTENING TECHNOLOGIES, INDUSTRIAL DIVISION, A BLACK & DECKER COMPANY**. GRIPRITE, OPEN END, CLOSED END, MULTI-GRIP®, TRI-BULB®, KLIK-LOCK®, MAGNATITE®, C6L®, KLIK RIVET NUTS®, MAGNALOK®, C50L®, KLIK-SERTS/POLYNUTS®, AUTO-BULK/MANABULB®, C120L®, 302E / 304E, STRONGHOLD™, MAGNAGRIP®, M SERIES, AUTOCLAMP®, BOM RIVET®, V SERIES, PEEL®, HUCKTAINER®, KLIK-FAST®, FLOORTITE, FI SERIES ARE REGISTERED TRADEMARKS OF **HUCK® - MARSON®, ALCOA FASTENING SYSTEMS**. AVEX®, AVIBULB®/AVINOX®, SUPERSERT®, BULBEX®, EARTH TAB RIVET, GENESIS TOOLS®, KLAMPTITE®/TLR, BRIV®, AVDEL SPEED FASTENING®, MONOBOLT®, CHOBERT®, N RIVET, INTERLOCK®, RIVSCREW®, SR RIVET, HEMLOK®, GROVIT®, Q-RIVET®, STAVEX®, CHERRYMATE®, AVTRONIC®, AVEDELOK®, MAXLOK®, CAMTAINER®, VERSANUT® ARE REGISTERED TRADEMARKS OF **AVDEL®, ACUMENT™ GLOBAL TECHNOLOGIES COMPANY, COPYRIGHT © 2007 ACUMENT™ INTELLECTUAL PROPERTIES LLC**. OPEN END, CELUSPLIT®, CEL-NUT®, CLOSED END, TIGERBOLT®, LA COBRA, MULTIGRIP™ ARE REGISTERED TRADEMARKS OF **CELUS® BRAND A RIVETKING® COMPANY**. OPEN END, CAP RIVETS®, TAURUS, POLYGRIP, TRI-FOLD®, PH SERIES, GROOVED RIVETS, BULB-TITE®, GAV SYSTEMS®, PEEL, MEGAGRIP® ARE REGISTERED TRADEMARKS OF **GESIPA® FASTENERS USA, INC. COPYRIGHT 2008®**.



RivetKing® Product Overview



RIVETKING®	POP®	AVDEL®	HUCK®	GESIPA®	MARSON®	CELUS®	LIGHT DUTY	MEDIUM DUTY	HEAVY DUTY (STRUCTURAL)	FIXED HOLE SIZE	VARIABLE / OVERSIZE HOLE	VARIABLE GRIP RANGE	FIXED GRIP RANGE	VARIABLE GRIP RANGE	EXTRA WIDE GRIP RANGE	WEATHER RESISTANT / WATERTIGHT	FASTENING TO METAL	FOR THIN, SOFT OR BRITTLE MATERIALS	FASTENING TO WOOD	INTERNALLY LOCKED MANDREL (HIDDEN)	INTERNALLY LOCKED MANDREL (VISIBLE)	NON-MECHANICAL LOCKED MANDREL	NON-MECHANICAL LOCKED MANDREL	AESTHETIC BACKSIDE PORTUSION	REMOVABLE	INCREASED ASSEMBLY SPEED
COLLARBOLT™6		AVDELOK®	C6L®				◆					◆	◆	◆	◆	◆	◆				◆					
COLLARBOLT™50		AVDELOK®	C50L®					◆				◆	◆	◆	◆	◆	◆				◆					
COLLARBOLT™120		AVDELOK®	C120L®					◆				◆	◆	◆	◆	◆	◆				◆					
COLLARBOLT™ MULTIGRIP		MAXLOK®	MAGNAGRIP®				◆					◆	◆	◆	◆	◆	◆				◆					



RIVETKING®	POP®	AVDEL®	HUCK®	GESIPA®	MARSON®	CELUS®	LIGHT DUTY	MEDIUM/HEAVY DUTY	FIXED HOLE SIZE	VARIABLE / OVERSIZE HOLE	VARIABLE GRIP RANGE	FIXED GRIP RANGE	VARIABLE GRIP RANGE	EXTRA WIDE GRIP RANGE	WEATHER RESISTANT / WATERTIGHT	OFFERED IN CLOSED END	PLASTISOL CAN BE APPLIED	FASTENING TO METAL	FOR THIN, SOFT OR BRITTLE MATERIALS	FOR THIN, SOFT OR BRITTLE MATERIALS	FASTENING TO WOOD	VIBRATION RESISTANT	REMOVABLE	
RUBBERNUT™	WELL-NUT®						◆				◆	◆	◆	◆	◆	◆	◆	◆	◆	◆	◆	◆	◆	◆
JK-NUT™	JACK-NUT®						◆				◆	◆	◆	◆	◆	◆	◆	◆	◆	◆	◆	◆	◆	◆
RIVINUTS™	POPNUIT®				KLIKRIVET NUTS®	CEL-NUT®					◆	◆	◆	◆	◆	◆	◆	◆	◆	◆	◆	◆	◆	◆
VARINUT™		VERSANUT®									◆	◆	◆	◆	◆	◆	◆	◆	◆	◆	◆	◆	◆	◆
SWAGENUT™		SUPERSERT®			KLIK-SERTS/ POLYNUTS®						◆	◆	◆	◆	◆	◆	◆	◆	◆	◆	◆	◆	◆	◆

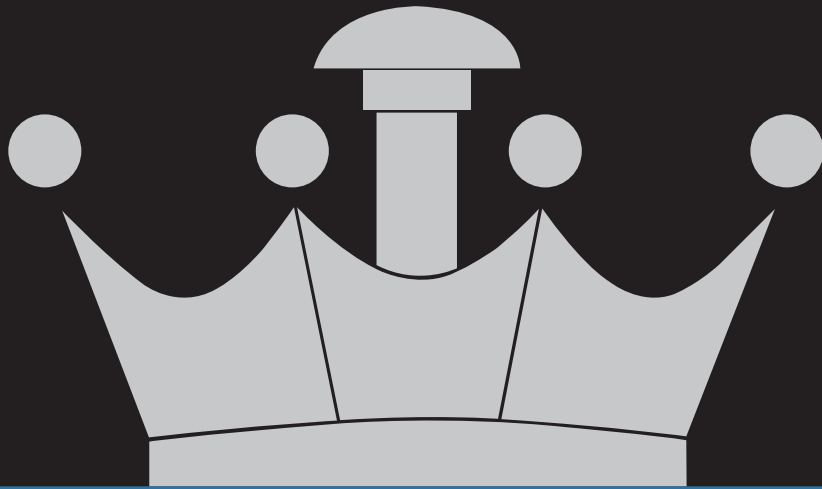


RIVETKING®	POP®	AVDEL®	HUCK®	GESIPA®	MARSON®	CELUS®	FOR CONTINUOUS PRODUCTION USE	FOR MAINTENANCE AND REPAIR	DISPOSABLE	HEAVY DUTY	TOOL BALANCER HOOKUP	LIGHT DUTY	BLOW MOLDED CARRY CASE	3 JAW DESIGN	ERGONOMIC	SHOCK RESISTANT	LIGHTWEIGHT	BODY BOOT & NOSE PIECE STORAGE	HIGH SPEED RIVETING SYSTEMS
RIVETKING® 8000 SERIES	PROSET®	GENESIS TOOLS®	FI SERIES	TAURUS	302E / 304E		◆			◆									
ZIPP® ZT™ SERIES	PRG SERIES			PH SERIES	M SERIES			◆		◆				◆					
RIVETKING® RK™ SERIES					V SERIES	LA COBRA			◆			◆							
RIVETKING® QUICKRIVETING								◆		◆									◆
AUTOFAST®	POPMATIC RIVET TOOLS®	AVDEL SPEED FASTENING®		GAV SYSTEMS®				◆				◆							◆

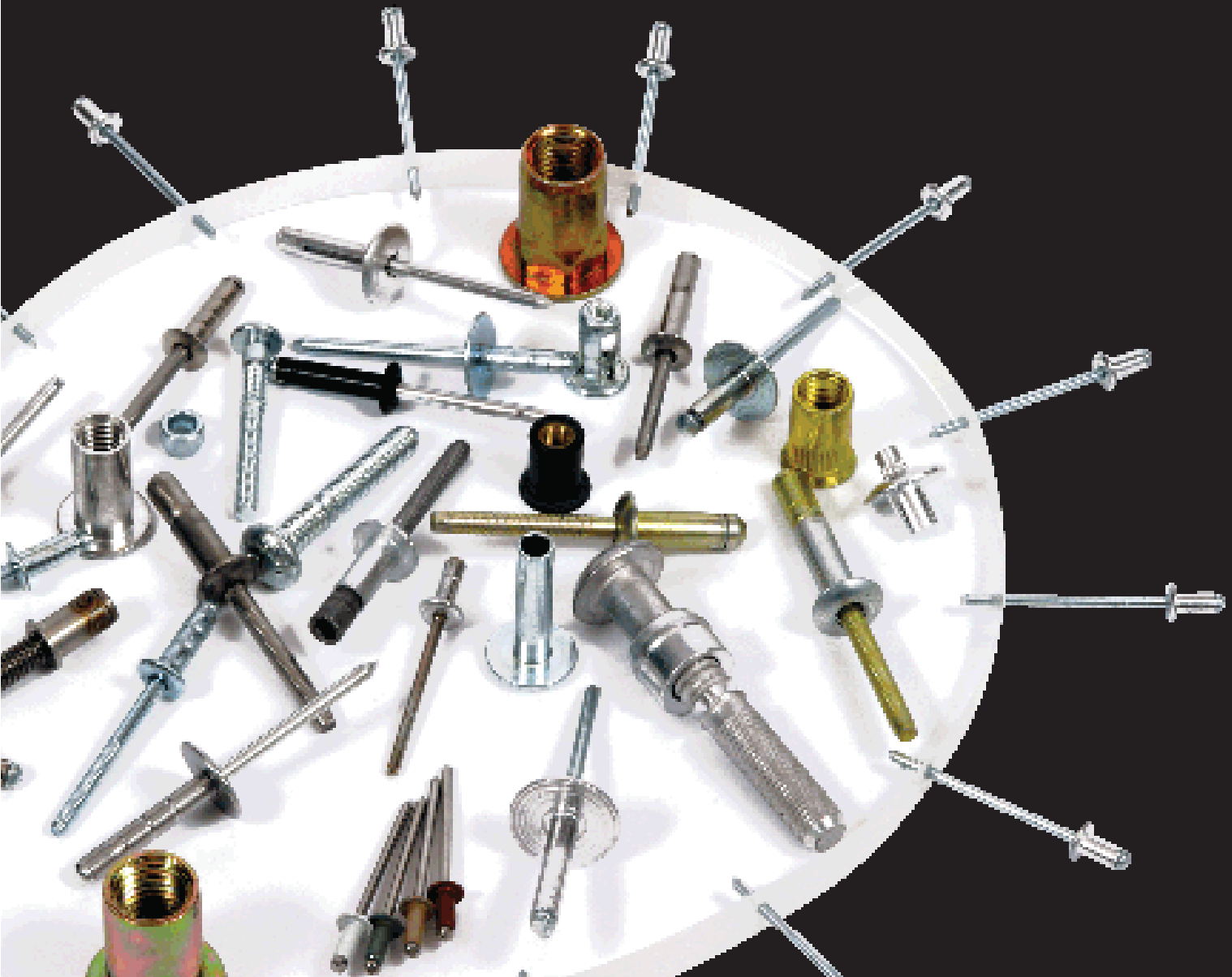
◆ STANDARD FEATURE ◆ APPLICATION / PRODUCT DEPENDENT



LSR LOAD® SPREADING, PEEL RIVET®, WELL-NUT®, ULTRAGRIP®, GROOVED RIVETS, JACK-NUT®, HR RIVET®, EASY ENTRY®, POPNUT®, SOFT SET®, CLOSED END, PROSET®, MULTIGRIP™, OPEN END, PRG SERIES, POPMATIC RIVET TOOLS® ARE REGISTERED TRADEMARKS OF POP® EMHART FASTENING TECHNOLOGIES, INDUSTRIAL DIVISION, A BLACK & DECKER COMPANY. GRIPRITE, OPEN END, CLOSED END, MULTI-GRIP®, TRI-BULB®, KLIK-LOCK®, MAGNATITE®, C6L®, KLIKRIVET NUTS®, MAGNALOK®, C50L®, KLIK-SERTS/POLYNUTS®, AUTO-BULK/MANABULB®, C120L®, 302E / 304E, STRONGHOLD™, MAGNAGRIP®, M SERIES, AUTOCLAMP®, BOM RIVET®, V SERIES, PEEL®, HUCKTAINER®, KLIK-FAST®, FLOORITTE, FI SERIES ARE REGISTERED TRADEMARKS OF HUCK® - MARSON®, ALCOA FASTENING SYSTEMS. AVEX®, AVIBULB®/AVINOX®, SUPERSERT®, BULBEX®, EARTHTAB RIVET, GENESIS TOOLS®, KLAMPITTE®/TLR, BRIV®, AVDEL SPEED FASTENING®, MONOBOLT®, CHOBERT®, N RIVET, INTERLOCK®, RIVSCREW®, SR RIVET, HEMLOK®, GROVIT®, Q-RIVET®, STAVE®, CHERRYMATE®, AVTRONIC®, AVDELOK®, MAXLOK®, CAMTAINER®, VERSANUT® ARE REGISTERED TRADEMARKS OF AVDEL®, ACUMENT™ GLOBAL TECHNOLOGIES COMPANY, COPYRIGHT © 2007 ACUMENT™ INTELLECTUAL PROPERTIES LLC. OPEN END, CELUSPLIT®, CEL-NUT®, CLOSED END, TIGERBOLT®, LA COBRA, MULTIGRIP™ ARE REGISTERED TRADEMARKS OF CELUS® BRAND A RIVETKING® COMPANY. OPEN END, CAP RIVETS®, TAURUS, POLYGRIP, TRI-FOLD®, PH SERIES, GROOVED RIVETS, BULB-TITE®, GAV SYSTEMS®, PEEL, MEGAGRIP® ARE REGISTERED TRADEMARKS OF GESIPA® FASTENERS USA, INC. COPYRIGHT 2008®.



RIVETKING®
STANDARD BLIND RIVETS ⊗ SPECIALTY BLIND RIVETS ⊗ STRUCTURAL BLIND RIVETS
LOCK BOLTS & COLLARS ⊗ DRIVE RIVETS



STANDARD BLIND RIVETS

STRUCTURAL BLIND RIVETS

SPECIALTY BLIND RIVETS

STRUCTURAL LOCKBOLTS

DRIVE RIVETS



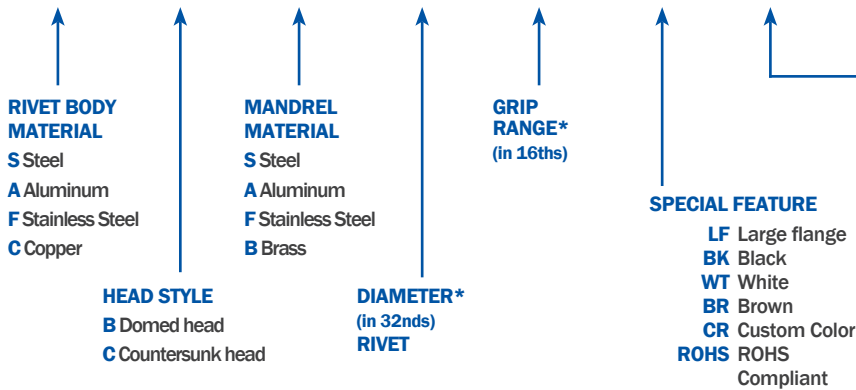
Your guide to selecting RivetKing® Blind Rivets

STRENGTH	RIVET MATERIAL	HOLE SIZE	WORK THICKNESS	RIVET TYPE	HEAD STYLE
Determine the shear and tensile strengths required for your application and then select the best rivet to meet that requirement. Rivet style, material, diameter and fastener spacing all contribute to the ability of a rivet to hold the material properly.	Select a rivet which is made of a similar or compatible metal to the material you are joining. Other factors to consider are the environment in which the finished product will be placed, levels of moisture, high temperatures or corrosive atmosphere.	Our rivets are available in five diameters: <ul style="list-style-type: none"> • 3/32" • 1/8" • 5/32" • 3/16" • 1/4" It is extremely important that the hole size be correct to assure that our rivets perform properly.	Measure the total thickness of the material to be fastened in order to determine the required grip of the rivet. Be sure to select a sufficient grip range to allow the secondary head of the rivet to properly form.	RivetKing® Blind Rivets are available in several styles categorized as: <ul style="list-style-type: none"> • OPEN END • CLOSED END • MULTIGRIP™ • REAR FLANGE • LARGE FLANGE • LOAD SPREADING • LONG GRIP • RADIAL EXPANSION • STRUCTURAL (LOCKING) • HAMMER DRIVE Each type of rivet has its own benefits such as watertight, tri-folding or locking features. For more details on the rivet that is right for your application, consult the Product Overview or the specific product page in this catalog.	Three different head styles are available. Dome head is the standard. Large Flange for increased bearing surface and Countersunk for near flush installation in a countersunk hole.

DOMED HEAD

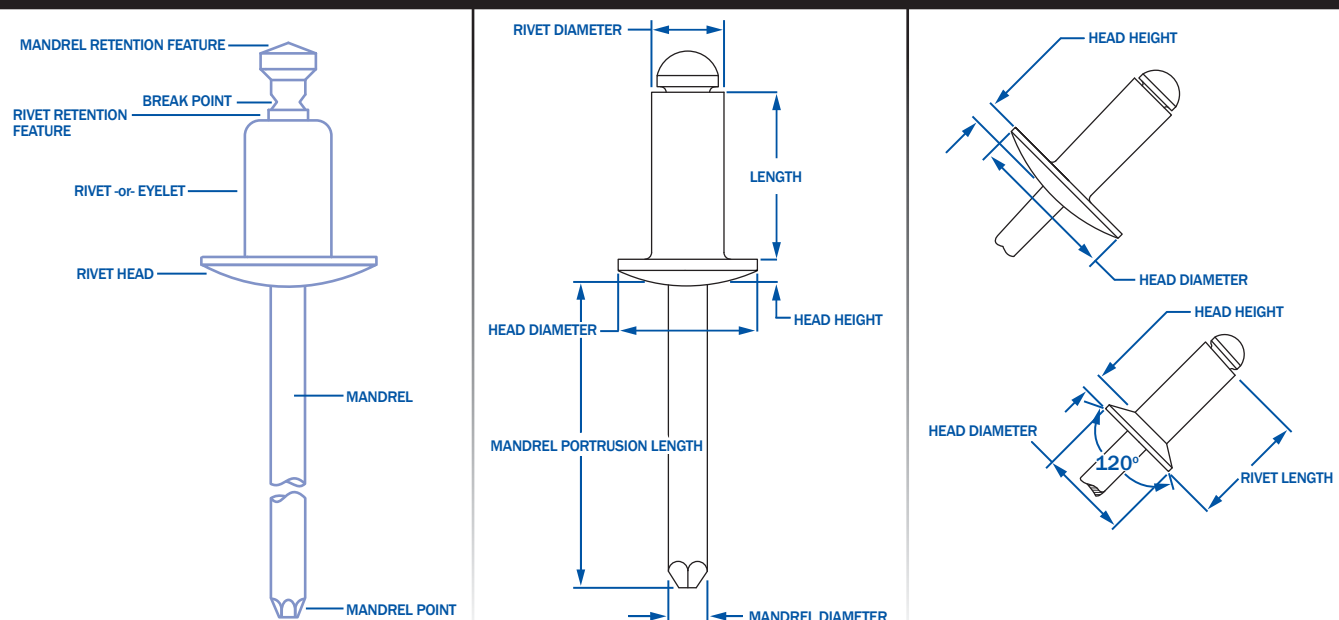
Industrial Rivet's part numbers are made up of six elements which, when correctly designated, completely describe the desired rivet. For large flange rivets, however, a 7th element (the suffix letter F) are required.

S	B	S	4	2	LF	IR
---	---	---	---	---	----	----



* In some instances these are replaced with a "part code" instead a fractional designation.

BLIND RIVET ANATOMY



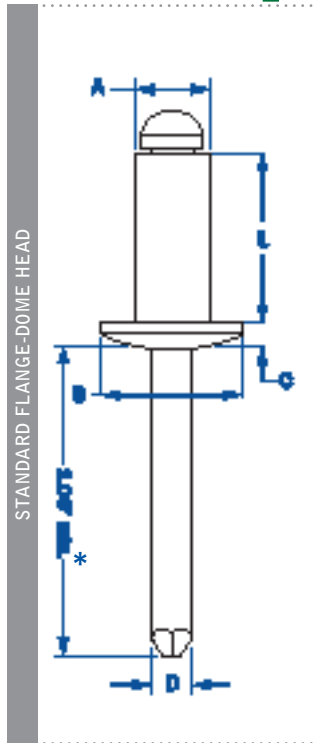


RivetKing® ABA Series • All Aluminum Rivets • Open End

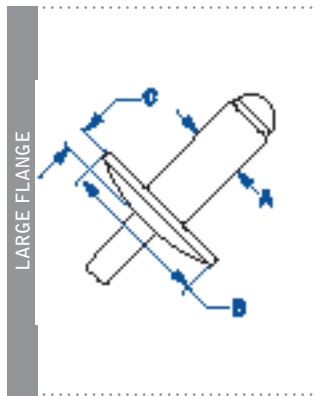
RIVET: 5052 ALUMINUM • MANDREL: ALUMINUM

STANDARD BLIND RIVETS

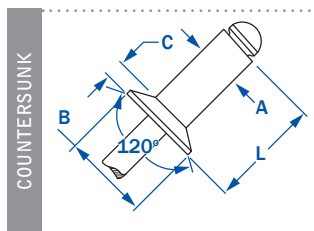
RivetKing® Aluminum/Aluminum blind rivets bright polished to improve oxidation resistance and overall aesthetics of the riveted product. Our rivets are tested to ensure consistent error free application from rivet to rivet. A special treatment applied to the rivet insures the mandrel will be encased by the rivet during application. The blunt diamond point prevents injury while improving application speed. All aluminum rivets are ranked #5 in shear and tensile strength for open end standards. PER IFI-114 GRADE 11.



A	DIA.	PART NUMBER	GRIP RANGE	L	B	C	D	HOLE SIZE (DRILL #)	STRENGTH		Wt. lbs/M
									SHEAR	TENSILE	
3/32"		ABA - 32	.020 - .125	.250	.188	.032	.057	.097 - .100 (#41)	70	80	.70
		ABA - 34	.126 - .250	.375							.70
1/8"		ABA - 41	.020 - .062	.212	.250	.040	.076	.129 - .133 (#30)	120	150	1.00
		ABA - 42	.063 - .125	.275							1.10
		ABA - 43	.126 - .187	.337							1.20
		ABA - 44	.188 - .250	.400							1.30
		ABA - 45	.251 - .312	.462							1.30
		ABA - 46	.313 - .375	.525							1.40
		ABA - 48	.376 - .500	.650							1.50
		ABA - 410	.501 - .625	.775							1.67
		ABA - 412	.626 - .750	.900							
		ABA - 52	.020 - .125	.300							
5/32"		ABA - 53	.126 - .187	.362	.312	.050	.095	.160 - .164 (#20)	190	230	1.88
		ABA - 54	.188 - .250	.425							2.00
		ABA - 56	.251 - .375	.550							2.50
		ABA - 58	.376 - .500	.675							2.50
3/16"		ABA - 62	.020 - .125	.325	.375	.060	.114	.192 - .196 (#11)	260	320	2.80
		ABA - 63	.126 - .187	.387							2.90
		ABA - 64	.188 - .250	.450							3.00
		ABA - 66	.251 - .375	.575							3.40
		ABA - 68	.376 - .500	.700							3.75
		ABA - 610	.501 - .625	.825							4.25
		ABA - 612	.626 - .750	.950							4.50
		ABA - 614	.751 - .875	1.075							5.00
		ABA - 616	.876 - 1.00	1.200							5.33
		1/4"		ABA - 84							.020 - .250
ABA - 86	.251 - .375			.625	7.00						
ABA - 88	.376 - .500			.750	7.50						
ABA - 810	.501 - .625			.875	8.50						
ABA - 812	.626 - .750			1.000	8.50						
ABA - 814	.751 - .875			1.125	10.00						
ABA - 816	.876 - 1.00			1.250	9.88						



1/8"		ABA - 42LF	.063 - .125	.275	.375	.065	.076	.129 - .133 (#30)	120	150	1.20
		ABA - 43LF	.126 - .187	.337							1.30
		ABA - 44LF	.188 - .250	.400							1.40
		ABA - 46LF	.313 - .375	.525							1.75
		ABA - 48LF	.376 - .500	.650							1.89
		ABA - 52LF	.020 - .125	.300							
5/32"		ABA - 54LF	.188 - .250	.425	.468	.075	.095	.160 - .164 (#20)	190	230	2.75
		ABA - 56LF	.251 - .375	.550							2.94
		ABA - 62LF	.020 - .125	.325							
3/16"		ABA - 64LF	.188 - .250	.450	.625	.092	.114	.192 - .196 (#11)	260	320	4.67
		ABA - 66LF	.251 - .375	.575							5.00
		ABA - 68LF	.376 - .500	.700							5.00
		ABA - 610LF	.501 - .625	.825							5.50
		ABA - 612LF	.626 - .750	.950							6.00
		ABA - 614LF	.751 - .875	1.075							6.00
		ABA - 616LF	.876 - 1.00	1.200							6.50
		1/4"	ABA - 88LF	.376 - .500							.750



1/8"		ACA - 42	.063 - .125	.275	.220	.031	.076	.129 - .133 (#30)	120	150	1.10
		ACA - 43	.126 - .187	.337							1.20
		ACA - 44	.188 - .250	.400							1.30
5/32"	ACA - 54	.188 - .250	.425	.281	.040	.095	.160 - .164	190	230	1.88	
3/16"		ACA - 64	.188 - .250	.450	.350	.050	.114	.192 - .196 (#11)	260	320	2.80
		ACA - 66	.251 - .375	.575							2.80

* 1/4" Diameter rivets have a 1.250 mandrel length minimum.



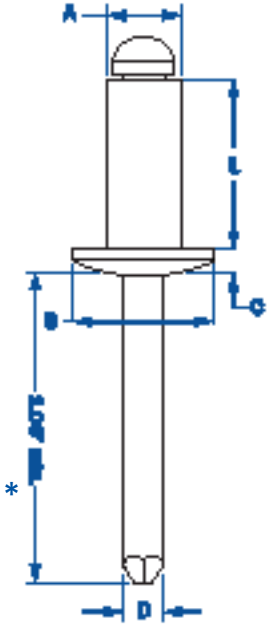
RivetKing® ABS Series • Aluminum/Steel Rivets • Open End

RIVET: 5056 ALUMINUM • MANDREL: STEEL PHOSPHATED – RIVET: 5052 ALUMINUM • MANDREL: STEEL ZINC PLATED

Aluminum/Steel rivets are offered in two configurations. Celus® Brand, 5056 Aluminum with Steel Phosphated Mandrel and RivetKing® Brand 5052 Aluminum with Steel Zinc Plated Mandrel. Phosphated mandrels reduce rivet gun jaw cleaning, while zinc plated mandrels provide for greater rust protection. The aluminum rivet body is bright polished to protect from oxidation. The ABS series is ranked #4 in shear and tensile strength in the standard open end rivet category.

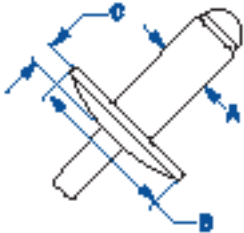


STANDARD FLANGE-DOME HEAD



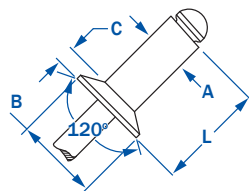
A DIA.	PART NUMBER	GRIP RANGE	RIVET LENGTH	HEAD DIA.	HEAD HEIGHT	MANDREL DIA.	HOLE SIZE (DRILL #)	STRENGTH		Wt. lbs/M
								SHEAR	TENSILE	
3/32"	ABS - 32	.020 - .125	.250	.188	.032	.057	.097 - .100 (#41)	90	120	1.30
	ABS - 34	.126 - .250	.375					[70]	[80]	1.30
1/8"	ABS - 41	.020 - .062	.212	.250	.040	.076	.129 - .133 (#30)	170 [120]	220 [150]	2.50
	ABS - 42	.063 - .125	.275							2.50
	ABS - 43	.126 - .187	.337							2.60
	ABS - 44	.188 - .250	.400							2.70
	ABS - 45	.251 - .312	.462							2.70
	ABS - 46	.313 - .375	.525							2.80
	ABS - 48	.376 - .500	.650							3.10
	ABS - 410	.501 - .625	.775							3.10
	ABS - 412	.626 - .750	.900							
	ABS - 52	.020 - .125	.300							.312
ABS - 53	.126 - .187	.362	4.25							
ABS - 54	.188 - .250	.425	4.38							
ABS - 56	.251 - .375	.550	5.17							
ABS - 58	.376 - .500	.675	5.17							
3/16"	ABS - 62	.020 - .125	.325	.375	.060	.114	.192 - .196 (#11)	380 [260]	500 [320]	6.20
	ABS - 63	.126 - .187	.387							7.00
	ABS - 64	.188 - .250	.450							7.20
	ABS - 66	.251 - .375	.575							7.75
	ABS - 68	.376 - .500	.700							8.75
	ABS - 610	.501 - .625	.825							9.00
	ABS - 612	.626 - .750	.950							
	ABS - 614	.751 - .875	1.075							
	ABS - 616	.876 - 1.00	1.200							
	ABS - 84	.020 - .250	.500							.500
ABS - 86	.251 - .375	.625	14.00							
ABS - 88	.376 - .500	.750	15.00							
ABS - 810	.501 - .625	.875	16.00							
ABS - 812	.626 - .750	1.000	16.00							
ABS - 814	.751 - .875	1.125	21.00							
ABS - 816	.876 - 1.00	1.250	21.00							

LARGE FLANGE



1/8"	ABS - 42LF	.063 - .125	.275	.375	.065	.076	.129 - .133 (#30)	170 [120]	220 [150]	2.60
	ABS - 43LF	.126 - .187	.337							2.70
	ABS - 44LF	.188 - .250	.400							2.70
	ABS - 46LF	.313 - .375	.525							3.25
	ABS - 48LF	.376 - .500	.650							
5/32"	ABS - 52LF	.020 - .125	.300	.468	.075	.095	.160 - .164 (#20)	260 [190]	350 [230]	5.00
	ABS - 54LF	.188 - .250	.425							
3/16"	ABS - 56LF	.251 - .375	.550	.625	.092	.114	.192 - .196 (#11)	380 [260]	500 [320]	8.00
	ABS - 62LF	.020 - .125	.325							9.00
	ABS - 64LF	.188 - .250	.450							9.33
	ABS - 66LF	.251 - .375	.575							10.50
	ABS - 68LF	.376 - .500	.700							10.50
	ABS - 610LF	.501 - .625	.825							11.50
	ABS - 612LF	.626 - .750	.950							12.00
ABS - 614LF	.751 - .875	1.075								
ABS - 616LF	.876 - 1.00	1.200								
1/4"	ABS - 88LF	.376 - .500	.750	.750	1.07	.151	.257 - .261	700 [460]	920 [560]	

COUNTERSUNK



1/8"	ACS - 42	.063 - .125	.275	.220	.031	.076	.129 - .133 (#30)	170 [120]	220 [150]	2.60
	ACS - 43	.126 - .187	.337							2.60
	ACS - 44	.188 - .250	.400							2.70
5/32"	ACS - 54	.188 - .250	.425	.281	.040	.095	.160 - .164	260 [190]	350 [230]	4.13
3/16"	ACS - 64	.188 - .250	.450	.350	.050	.114	.192 - .196 (#11)	380 [260]	500 [320]	6.40
	ACS - 66	.251 - .375	.575							7.40

* 1/4" DIAMETER RIVETS HAVE A 1.250 MANDREL LENGTH MINIMUM.

** CELUS® 5056 ALUMINUM/STEEL PHOSPHATED ARE PER IFI 114 GRADE 19 AND DO NOT HAVE A SUFFIX

*** RIVETKING® 5052 ALUMINUM/STEEL ZINC PLATED ARE PER IFI 114 GRADE 18 ARE IN BRACKETED ABOVE AND HAVE /IR AS THE SUFFIX

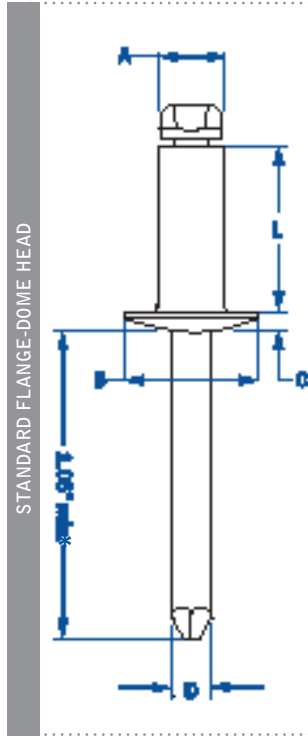


RivetKing® SBS Series • All Steel Blind Rivets • Open End

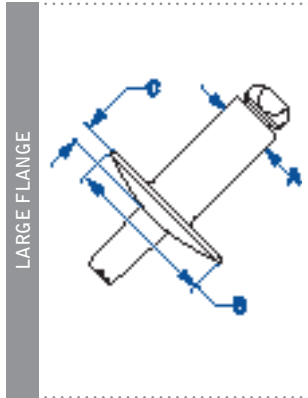
RIVET: STEEL TRIVALENT ZINC PLATED • MANDREL: STEEL TRIVALENT ZINC PLATED

STANDARD BLIND RIVETS

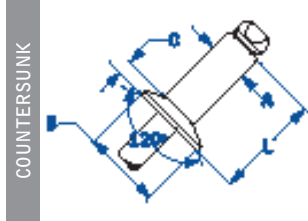
RivetKing®/Celus® Steel/Steel Blind Rivets are equipped with pitched mandrel design that is enveloped by the rivet during application to prevent mandrel fallout. Offered in two configurations, RivetKing® Brand All Steel Zinc Plated or Celus® Brand, Steel with Phosphate mandrel. Phosphated mandrels reduce rivet gun jaw cleaning, while zinc plated mandrels provide for greater rust protection. The SBS series is ranked #3 in both shear and tensile strength in the open end blind rivet category. Per IFI -114 Grade 30



A DIA.	PART NUMBER	GRIP RANGE	L RIVET LENGTH	B HEAD DIA.	C HEAD HEIGHT	D MANDREL DIA.	HOLE SIZE (DRILL #)	STRENGTH		Wt. lbs/M
								SHEAR	TENSILE	
3/32"	SBS - 32	.020 - .125	.250	.188	.032	.057	.097 - .100 (#41)	130	170	1.50
	SBS - 34	.126 - .250	.375							1.70
1/8"	SBS - 41	.020 - .062	.212	.250	.040	.076	.129 - .133 (#30)	260	310	2.80
	SBS - 42	.063 - .125	.275							2.90
	SBS - 43	.126 - .187	.337							3.10
	SBS - 44	.188 - .250	.400							3.30
	SBS - 45	.251 - .312	.462							3.60
	SBS - 46	.313 - .375	.525							3.70
	SBS - 48	.376 - .500	.650							3.70
	SBS - 410	.501 - .625	.775							4.78
	SBS - 412	.626 - .750	.900							
	SBS - 52	.020 - .125	.300							.312
SBS - 53	.126 - .187	.362	5.25							
SBS - 54	.188 - .250	.425	5.50							
SBS - 56	.251 - .375	.550	6.67							
SBS - 58	.376 - .500	.675	6.83							
3/16"	SBS - 62	.020 - .125	.325	.375	.060	.114	.192 - .196 (#11)	540	680	7.80
	SBS - 63	.126 - .187	.387							8.20
	SBS - 64	.188 - .250	.450							8.60
	SBS - 66	.251 - .375	.575							9.40
	SBS - 68	.376 - .500	.700							10.75
	SBS - 610	.501 - .625	.825							11.75
	SBS - 612	.626 - .750	.950							11.75
	SBS - 614	.751 - .875	1.075							14.33
	SBS - 616	.876 - 1.00	1.200							14.67
	1/4"	SBS - 84	.020 - .250							.500
SBS - 86		.251 - .375	.625	17.50						
SBS - 88		.376 - .500	.750	19.00						
SBS - 810		.501 - .625	.875	23.00						
SBS - 812		.626 - .750	1.000	24.50						
SBS - 814		.751 - .875	1.125	27.00						
SBS - 816		.876 - 1.00	1.250	28.00						



1/8"	SBS - 42LF	.063 - .125	.275	.375	.065	.076	.129 - .133 (#30)	260	310	3.30
	SBS - 43LF	.126 - .187	.337							3.50
	SBS - 44LF	.188 - .250	.400							3.60
	SBS - 46LF	.313 - .375	.525							4.63
	SBS - 48LF	.376 - .500	.650							4.63
5/32"	SBS - 52LF	.020 - .125	.300	.468	.075	.095	.160 - .164 (#20)	370	470	7.50
	SBS - 54LF	.188 - .250	.425							8.33
	SBS - 56LF	.251 - .375	.550							
3/16"	SBS - 62LF	.020 - .125	.325	.625	.092	.114	.192 - .196 (#11)	540	680	12.67
	SBS - 64LF	.188 - .250	.450							13.33
	SBS - 66LF	.251 - .375	.575							14.67
	SBS - 68LF	.376 - .500	.700							16.00
	SBS - 610LF	.501 - .625	.825							16.00
	SBS - 612LF	.626 - .750	.950							17.00
	SBS - 614LF	.751 - .875	1.075							18.00
1/4"	SBS - 88LF	.376 - .500	.750	.750	1.07	.151	.257 - .261	1000	1240	



1/8"	SCS - 42	.063 - .125	.275	.220	.031	.076	.129 - .133 (#30)	260	310	3.00
	SCS - 43	.126 - .187	.337							3.10
	SCS - 44	.188 - .250	.400							3.30
5/32"	SCS - 54	.188 - .250	.425	.281	.040	.095	.160 - .164	370	470	5.25
3/16"	SCS - 64	.188 - .250	.450	.350	.050	.114	.192 - .196 (#11)	540	680	8.20
	SCS - 66	.251 - .375	.575							9.60

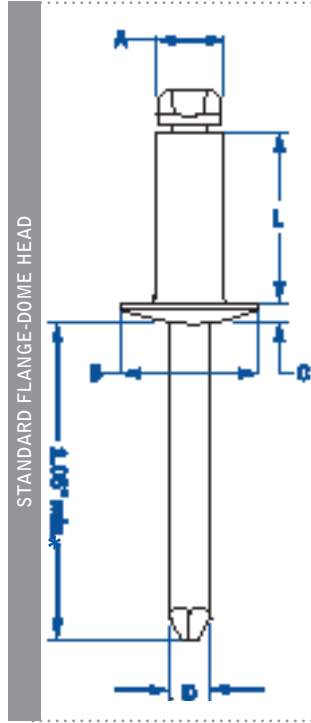
* 1/4" DIAMETER RIVETS HAVE A 1.250 MANDREL LENGTH MINIMUM.
 ** CELUS® STEEL ZINC PLATED RIVET / PHOSPHATED MANDREL DO NOT HAVE A SUFFIX (SPECIAL ORDER)
 *** RIVETKING® STEEL ZINC PLATED RIVET / ZINC PLATED MANDREL HAVE /IR AS A SUFFIX (STOCK)



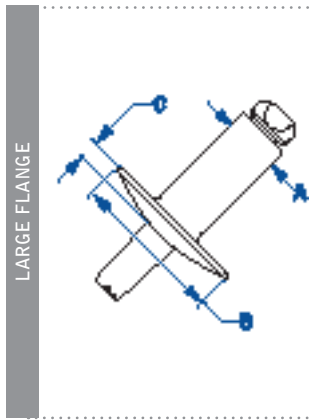
RivetKing® FBS Series · Stainless/Steel Rivets · Open End

RIVET: 18-8 SERIES STAINLESS STEEL • MANDREL: STEEL TRIVALENT ZINC PLATED

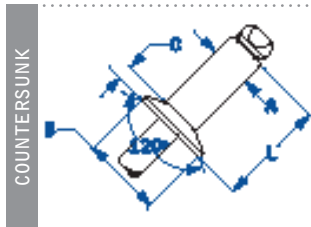
RivetKing® Stainless Steel Rivet with Steel Zinc Plated mandrel (FBS) series is the economical alternative to FBF series. FBS Series offers similar shear and tensile strength and will hold its strength over time in corrosive environments. Because a steel mandrel has the potential to leave a rust trail, for aesthetic applications FBF series is recommended. IFI 114 Grade 50.



A	DIA.	PART NUMBER	GRIP RANGE	L	RIVET LENGTH	B	C	D	STRENGTH		Wt. lbs/M	
									HEAD DIA.	HEAD HEIGHT		MANDREL DIA.
3/32"		FBS - 32	.020 - .125	.250		.188	.032	.057	.097 - .100 (#41)	230	280	
		FBS - 34	.126 - .250	.375								
1/8"		FBS - 41	.020 - .062	.212		.250	.040	.076	.129 - .133 (#30)	420	530	2.60
		FBS - 42	.063 - .125	.275								3.00
		FBS - 43	.126 - .187	.337								3.10
		FBS - 44	.188 - .250	.400								3.20
		FBS - 45	.251 - .312	.462								3.60
		FBS - 46	.313 - .375	.525								3.50
		FBS - 48	.376 - .500	.650								3.60
5/32"		FBS - 52	.020 - .125	.300		.312	.050	.095	.160 - .164 (#20)	650	820	5.00
		FBS - 53	.126 - .187	.362								5.25
		FBS - 54	.188 - .250	.425								5.80
		FBS - 56	.251 - .375	.550								
		FBS - 58	.376 - .500	.675								
3/16"		FBS - 62	.063 - .125	.325		.375	.060	.114	.192 - .196 (#11)	950	1200	7.40
		FBS - 63	.126 - .187	.387								8.40
		FBS - 64	.188 - .250	.450								8.80
		FBS - 66	.251 - .375	.575								9.75
		FBS - 68	.376 - .500	.700								11.00
		FBS - 610	.501 - .625	.825								11.75
		FBS - 612	.626 - .750	.950								
		FBS - 614	.751 - .875	1.075								
		FBS - 616	.876 - 1.000	1.200								22.00
		FBS - 84	.063 - .250	.500								
1/4"		FBS - 86	.251 - .375	.625		.500	.080	.151	.257 - .261 (F)	1700	2100	
		FBS - 88	.376 - .500	.750								
		FBS - 810	.501 - .625	.875								
		FBS - 812	.626 - .750	1.000								



1/8"		FBS - 42LF	.020 - .125	.275		.375	.065	.076	.129 - .133 (#30)	420	530	3.30
		FBS - 43LF	.126 - .187	.337								3.50
		FBS - 44LF	.188 - .250	.375								3.60
		FBS - 45LF	.251 - .312	.462								
		FBS - 46LF	.313 - .375	.525								
5/32"		FBS - 52LF	.020 - .125	.300		.468	.075	.095	.160 - .164 (#20)	650	820	
		FBS - 53LF	.126 - .187	.362								
		FBS - 54LF	.188 - .250	.425								
		FBS - 56LF	.251 - .375	.550								
3/16"		FBS - 58LF	.376 - .500	.675		.625	.092	.114	.192 - .196 (#11)	950	1200	
		FBS - 62LF	.063 - .187	.375								
		FBS - 64LF	.188 - .250	.450								10.67
		FBS - 66LF	.251 - .375	.575								11.33
		FBS - 68LF	.376 - .500	.700								11.67
		FBS - 610LF	.501 - .625	.825								13.00
	FBS - 612LF	.626 - .750	.950		14.50							
	FBS - 614LF	.751 - .875	1.075									
	FBS - 616LF	.876 - 1.000	1.200									



1/8"		FCS - 42	.063 - .125	.275		.220	.031	.076	.129 - .133 (#30)	420	530	3.00
		FCS - 43	.126 - .187	.337								3.10
		FCS - 44	.188 - .250	.400								3.30
5/32"		FCS - 54	.188 - .250	.425		.281	.040	.095	.160 - .164	650	820	5.36
3/16"		FCS - 64	.188 - .250	.450		.350	.050	.114	.192 - .196 (#11)	950	1200	7.60
		FCS - 66	.251 - .375	.575								9.79

* 1/4" Diameter rivets have a 1.250 mandrel length minimum.

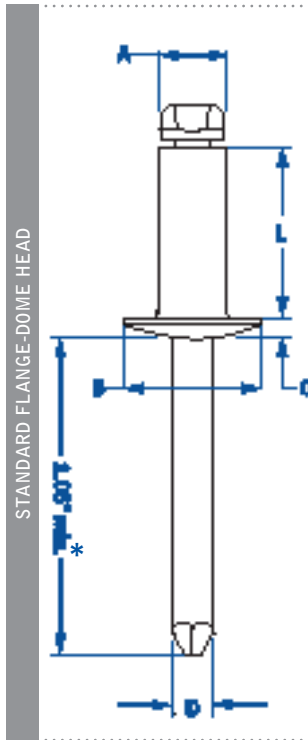


RivetKing® FBF Series · All Stainless Rivets · Open End

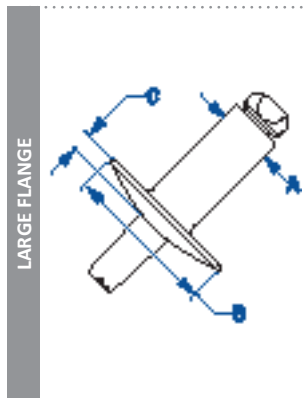
RIVET: 18-8 STAINLESS STEEL . MANDREL: 18-8 STAINLESS STEEL

STANDARD BLIND RIVETS

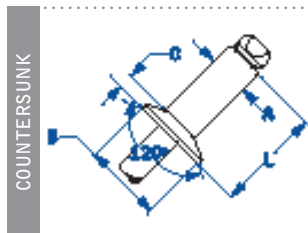
RivetKing® All Stainless Steel blind rivets are a sure way to avoid rust and oxidation. Produced from the finest grade stainless steel materials and clean polished, the FBF series will look great and last a lifetime in the finished assembly. The mandrels are blunt diamond pointed to insure increased assembly speed and improving safety. The unique mandrel head shape assists in retaining the mandrel within the rivet. All Stainless Blind rivets rank #1 in shear and tensile strength when compared to others in its class. PER IFI-114 GRADE 51.



DIA.	PART NUMBER	GRIP RANGE	RIVET LENGTH	HEAD DIA.	HEAD HEIGHT	MANDREL DIA.	HOLE SIZE (DRILL #)	STRENGTH		Wt. lbs/M
								SHEAR	TENSILE	
3/32"	FBF - 32	.020 - .125	.250	.188	.032	.057	.097 - .100 (#41)	230	280	1.53
	FBF - 34	.126 - .250	.375							1.73
1/8"	FBF - 41	.020 - .062	.212	.250	.040	.076	.129 - .133 (#30)	420	530	2.60
	FBF - 42	.063 - .125	.275							2.90
	FBF - 43	.126 - .187	.337							3.00
	FBF - 44	.188 - .250	.400							3.10
	FBF - 45	.251 - .312	.462							3.60
	FBF - 46	.313 - .375	.525							3.30
	FBF - 48	.376 - .500	.650							3.50
	FBF - 410	.501 - .625	.775							4.88
	FBF - 412	.626 - .750	.900							
	FBF - 52	.020 - .125	.300							.312
FBF - 53	.126 - .187	.362	5.13							
FBF - 54	.188 - .250	.425	5.25							
FBF - 56	.251 - .375	.550	5.83							
3/16"	FBF - 58	.376 - .500	.675	.375	.060	.114	.192 - .196 (#11)	950	1200	6.50
	FBF - 62	.020 - .125	.325							7.40
	FBF - 63	.126 - .187	.387							8.36
	FBF - 64	.188 - .250	.450							8.40
	FBF - 66	.251 - .375	.575							8.80
	FBF - 68	.376 - .500	.700							9.75
	FBF - 610	.501 - .625	.825							11.00
	FBF - 612	.626 - .750	.950							11.75
	FBF - 614	.751 - .875	1.075							14.62
	FBF - 616	.876 - 1.00	1.200							22.00
1/4"	FBF - 84	.020 - .250	.500	.500	.080	.151	.257 - .261 (F)	1700	2100	15.00
	FBF - 86	.251 - .375	.625							17.00
	FBF - 88	.376 - .500	.750							18.00
	FBF - 810	.501 - .625	.875							20.00
	FBF - 812	.626 - .750	1.000							20.50
	FBF - 814	.751 - .875	1.125							27.54
	FBF - 816	.876 - 1.00	1.250							28.56



1/8"	FBF - 42LF	.063 - .125	.275	.375	.065	.076	.129-.133 (#30)	420	530	3.30
	FBF - 43LF	.126 - .187	.337							3.50
	FBF - 44LF	.188 - .250	.400							3.60
	FBF - 46LF	.313 - .375	.525							4.72
	FBF - 48LF	.376 - .500	.650							4.72
5/32"	FBF - 52LF	.020 - .125	.300	.468	.075	.095	.160-.164 (#20)	650	820	
	FBF - 54LF	.188 - .250	.425							
	FBF - 56LF	.251 - .375	.550							
3/16"	FBF - 62LF	.020 - .125	.325	.625	.092	.114	.192-.196 (#11)	950	1200	
	FBF - 64LF	.188 - .250	.450							10.67
	FBF - 66LF	.251 - .375	.575							11.33
	FBF - 68LF	.376 - .500	.700							11.67
	FBF - 610LF	.501 - .625	.825							13.00
	FBF - 612LF	.626 - .750	.950							14.50
	FBF - 614LF	.751 - .875	1.075							17.34
	FBF - 616LF	.876 - 1.00	1.200							18.36
	1/4"	FBF - 88LF	.376 - .500							.750



1/8"	FCF - 42	.063 - .125	.275	.220	.031	.076	.129 - .133 (#30)	420	530	3.00
	FCF - 43	.126 - .187	.337							3.10
	FCF - 44	.188 - .250	.400							3.30
5/32"	FCF - 54	.188 - .250	.425	.281	.040	.095	.160 - .164	650	820	5.36
3/16"	FCF - 64	.188 - .250	.450	.350	.050	.114	.192 - .196 (#11)	950	1200	7.60
	FCF - 66	.251 - .375	.575							9.79

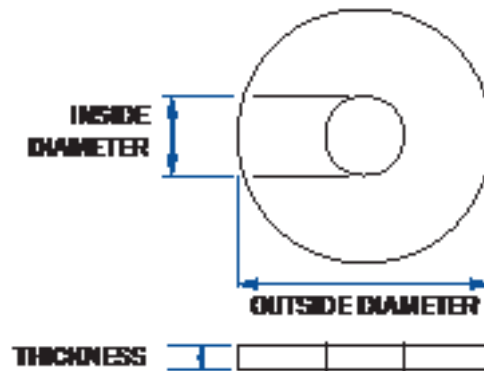
* 1/4" Diameter rivets have a 1.250 mandrel length minimum.



RivetKing® Back Up Washers

Use Back Up Washers when the hole size or the grip range is out of suggested specification. Also serves as an excellent bearing surface in thin sheet metal or plastics.

Or don't use Back Up Washers at all use: TriFix™, Rivinox®, or RiviBulb®



DIMENSIONS			ALUMINUM	Steel Zinc Plated	STAINLESS Steel 18-8 Series
RIVET DIA.	OUTSIDE DIA.	THICKNESS	PART NUMBER	PART NUMBER	PART NUMBER
1/8"	.375	.062	ABUP - 4	SBUP - 4	FBUP - 4
5/32"	.437	.062	ABUP - 5	SBUP - 5	FBUP - 5
3/16"	.500	.062	ABUP - 6	SBUP - 6	FBUP - 6
1/4"	.562	.062	ABUP - 8	SBUP - 8	FBUP - 8



RivetKing® Blind Rivet Tools

**FIND THIS!
PLUS MORE ON
PAGE 5**

RK-8000 SERIES RIVETKING® TOOLS

Quick, Light, Ergonomic and Shock Resistant. The RK-8000 Series is the best choice for demanding, high volume production-oriented environments. Triple Jaws, and Vacuum mandrel collection comes standard.

The RK-8000S is perfect for 1/8" diameter rivets, while the RK-8000M is best for 3/16" and 5/32". For extended grip or structural rivet applications, the RK-8000LS is suggested. The RK-8000LS is designed with an extra long stroke to insure that the rivet is applied and mandrel is withdrawn completely from the rivet in almost any grip range.

RK-8000S 5/32" MAX.

Power: 1,850 lbsF
Stroke: .787"
Weight: 2.42 lbs



RK-8000M 3/16" MAX. & STRUCTURALS

Power: 2,450 lbsF
Stroke: .787"
Weight: 3.3 lbs



RIVETKING® LONG STROKE - RK-8000LS

RK-8000LS = LONG STROKE PERFORMANCE!
Extra long stroke, lightweight, ergonomic and shock resistant with triple jaws and vacuum mandrel collection. The RivetKing® RK-8000LS is perfect in long stroke applications such as:

RK-8000LS 1/4" MAX. & STRUCTURALS

Power: 3,400 lbsF
Stroke: 1.02"
Weight: 3.74 lbs



THE RK-8000LS IS BEST FOR:

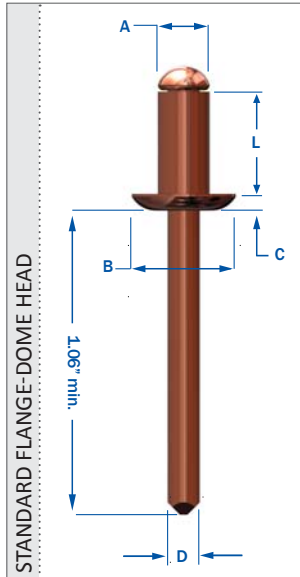
- Structural Rivets
- PLR™ Rivet
- Trifold Rivets
- Long Length Rivets
- Rivets used outside the intended grip range



RivetKing® Copper Blind Rivet

CBS SERIES • RIVET: COPPER • MANDREL: STEEL/COPPER PLATED

RivetKing® offers copper rivet bodies with steel/ copper plated mandrel. The steel mandrel configuration is best for gutter or roofing applications or in electronic or decorative applications where cost is of concern. CBS series rivets meet or exceed IFI 114 specifications.



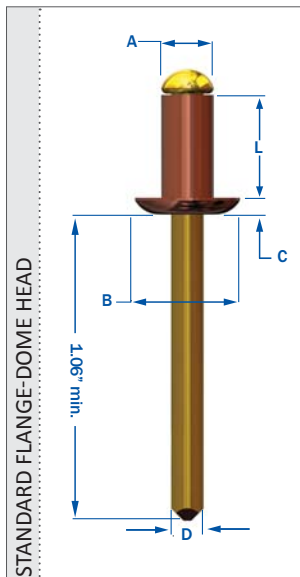
DIA.	PART NUMBER	GRIP RANGE	HOLE SIZE (DRILL #)	RIVET LENGTH	HEAD DIA.	HEAD HEIGHT	MANDREL DIA.	STRENGTH		Weight Per M
								SHEAR	TENSILE	
1/8"	CBS - 42	.020 - .125	.129 - .133 (#30)	.275	.250	.040	.076			3.1
	CBS - 43	.126 - .187		.337						3.4
	CBS - 44	.188 - .250		.400						3.4



RivetKing® Copper/ Brass Blind Rivet

CBB SERIES • RIVET: COPPER • MANDREL: BRASS

RivetKing® offers copper rivet bodies with a solid brass mandrel. The solid brass mandrel configuration is used in electronics applications where superior conductivity is required or in decorative applications where superior corrosion protection is required. CBB series rivets meet or exceed IFI 114 specifications.



DIA.	PART NUMBER	GRIP RANGE	HOLE SIZE (DRILL #)	RIVET LENGTH	HEAD DIA.	HEAD HEIGHT	MANDREL DIA.	STRENGTH		WEIGHT PER M
								SHEAR	TENSILE	
1/8"	CBB - 42	.020 - .125	.129 - .133 (#30)	.275	.250	.040	.076			3.1
	CBB - 43	.126 - .187		.337						3.4
	CBB - 44	.188 - .250		.400						3.4



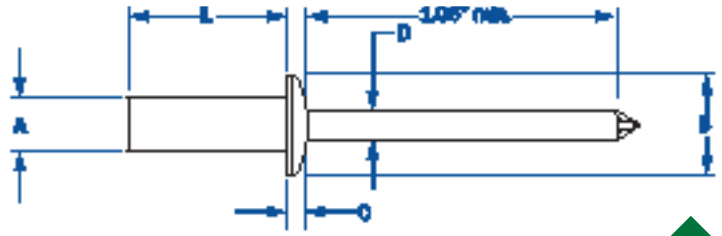


RivetKing® ABA-CE Series · All Aluminum Rivets · Closed End

ALL ALUMINUM-DOME HEAD · CLOSED END BLIND RIVET

RIVET: DOME HEAD, POLISHED, 1100 ALUMINUM | MANDREL: POLISHED, ALUMINUM | IFI-126 GRADE 9

Closed End Rivets are used when a weather proof/ leak proof seal is needed. Its completely closed end design prevents liquids, moisture, air and other contaminants from entering the riveted hole and/or the rivet itself. The RivetKing® Closed End rivet design guarantees the mandrel head is fully retained within the rivet. RivetKing® Aluminum/Aluminum Closed End rivets are bright polished for aesthetics and to prevent oxidation. The Aluminum Rivet / Aluminum Mandrel configuration is corrosion resistant.



PART NUMBER	RIVET SIZE	A		L	B	C	D	HOLE SIZE	SHEAR	TENSILE	WEIGHT /M
		GRIP RANGE	LENGTH	HEAD DIA	HEAD HEIGHT	MANDREL DIA	MIN - MAX				
		MIN - MAX	MAX	NOM.	NOM.	NOM.	MIN - MAX				
ABA - 41 - CE	1/8"	.020 - .062	.297	.250	.040	.076	.129 - .133 (#30)	100	110		1.2
ABA - 42 - CE		.063 - .125	.360								1.3
ABA - 43 - CE		.126 - .187	.422								1.3
ABA - 44 - CE		.188 - .250	.485								1.4
ABA - 45 - CE		.251 - .312	.547								1.5
ABA - 46 - CE		.313 - .375	.610								1.6
ABA - 48 - CE		.376 - .500	.735								1.7
ABA - 410 - CE		.501 - .625									1.8
ABA - 412 - CE		.626 - .750									1.9
ABA - 52 - CE	5/32"	.020 - .125	.375	.312	.050	.095	.160 - .164 (#20)	130	160		2.0
ABA - 53 - CE		.126 - .187	.437								2.0
ABA - 54 - CE		.188 - .250	.500								2.1
ABA - 55 - CE		.251 - .312	.562								2.2
ABA - 56 - CE		.313 - .375	.625								2.2
ABA - 58 - CE		.376 - .500	.750								2.3
ABA - 510 - CE		.501 - .625									2.4
ABA - 62 - CE	3/16"	.020 - .125	.406	.375	.060	.114	.192 - .196 (#11)	210	250		2.8
ABA - 63 - CE		.126 - .187	.468								3.2
ABA - 64 - CE		.188 - .250	.531								3.4
ABA - 66 - CE		.251 - .375	.656								4.0
ABA - 68 - CE		.376 - .500	.781								4.4
ABA - 610 - CE		.501 - .625	.906								4.9
ABA - 612 - CE		.626 - .750	1.026								5.5
ABA - 614 - CE		.751 - .875									6.1
ABA - 616 - CE	.876 - 1.000		6.8								

3/32" and 1/4" Diameter Rivets can be quoted on request.





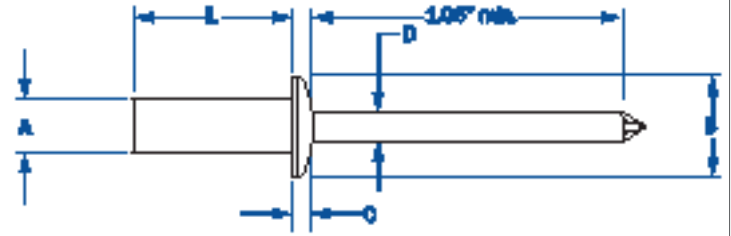
RivetKing® ABS-CE Series • Aluminum/ Steel • Closed End

ALUMINUM/STEEL-DOME HEAD • CLOSED END BLIND RIVETS

STANDARD BLIND RIVETS

RIVET: DOME HEAD, POLISHED, 5056 ALUMINUM | MANDREL: PHOSPHATED, STEEL | PER IFI-126 GRADE 19

Closed End Rivets are used when a weather proof / leak proof seal is needed. Its completely closed end design prevents liquids, moisture, air and other contaminants from entering the riveted hole and/or the rivet itself. The RivetKing® Closed End rivet design guarantees the mandrel head is fully retained within the rivet. Aluminum/Steel Closed End rivets have an aluminum bright polished rivet to resist oxidation and a steel phosphate coated mandrel for improved clamp force during riveting. While the ABS-CE series is an aluminum rivet, be aware that the mandrel is steel and even though withdrawn after riveting, the potential for rust streaks is present. For superior corrosion protection use ABA-CE or FBF-CE.



PART NUMBER	RIVET SIZE	A		L	B	C	D	HOLE SIZE	SHEAR	TENSILE	WEIGHT LBS/M				
		GRIP RANGE										LENGTH	HEAD DIA	HEAD HEIGHT	MANDREL DIA
		MIN - MAX	MAX												
ABS - 41 - CE	1/8"	.020 - .063	.297	.250	.040	.076	129 - .133 (#30)	240	280	2.1					
ABS - 42 - CE		.063 - .125	.360							2.2					
ABS - 43 - CE		.126 - .187	.422							2.2					
ABS - 44 - CE		.188 - .250	.485							2.5					
ABS - 45 - CE		.251 - .312	.547							2.6					
ABS - 46 - CE		.313 - .375	.610							2.6					
ABS - 48 - CE		.376 - .500	.735							2.7					
ABS - 410 - CE		.501 - .625								2.8					
ABS - 412 - CE		.626 - .750								2.9					
ABS - 52 - CE	5/32"	.020 - .125	.375	.312	.050	.095	.160 - .164 (#20)	350	480	3.8					
ABS - 53 - CE		.126 - .187	.437							3.9					
ABS - 54 - CE		.188 - .250	.500							3.9					
ABS - 55 - CE		.251 - .312	.562							4.0					
ABS - 56 - CE		.313 - .375	.625							4.0					
ABS - 58 - CE		.376 - .500	.750							4.1					
ABS - 510 - CE		.501 - .625								4.3					
ABS - 62 - CE	3/16"	.020 - .125	.406	.375	.060	.114	.192 - .196 (#11)	500	690	5.4					
ABS - 63 - CE		.126 - .187	.468							5.8					
ABS - 64 - CE		.188 - .250	.531							6.2					
ABS - 66 - CE		.251 - .375	.656							6.4					
ABS - 68 - CE		.376 - .500	.781							7.0					
ABS - 610 - CE		.501 - .625	.906							7.3					
ABS - 612 - CE		.626 - .750	1.026							7.5					
ABS - 614 - CE		.751 - .875								8.0					
ABS - 616 - CE		.876 - 1.000								8.5					
ABS - 82 - CE	1/4"	.020 - .125	.445	.500	.080	.151	.257 - .261 (F)	900	1100	11.3					
ABS - 84 - CE		.125 - .250	.570							11.5					
ABS - 86 - CE		.251 - .375	.695							11.5					
ABS - 88 - CE		.376 - .500	.820							12.5					
ABS - 810 - CE		.501 - .625	.945							13.5					
ABS - 812 - CE		.626 - .750	1.070							14.5					
ABS - 814 - CE		.751 - .875	1.195							15.5					
ABS - 816 - CE		.876 - 1.000	1.320							16.5					



* 1/4" Diameter rivets have a 1.250 mandrel length minimum.

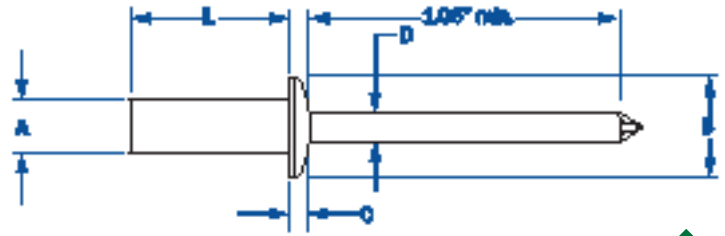


RivetKing® SBS-CE Series • All Steel • Closed End

ALL STEEL • DOME HEAD • CLOSED END BLIND RIVETS

RIVET: DOME HEAD, ZINC PLATED, C-1002 STEEL | MANDREL: ZINC PLATED, STEEL | PER IFI-126 GRADE 30

Closed End Rivets are used when a weather proof / leak proof seal is needed. Its completely closed end design prevents liquids, moisture, air and other contaminants from entering the riveted hole and/or the rivet itself. The RivetKing® Closed End Rivet design guarantees the mandrel head is fully retained within the rivet. Steel/Steel Closed End rivets are trivalent zinc plated.



For superior corrosion protection use ABA-CE or FBF-CE.



PART NUMBER	RIVET SIZE	A		L	B	C	D	HOLE SIZE	SHEAR	TENSILE
		GRIP RANGE	LENGTH	HEAD DIA	HEAD HEIGHT	MANDREL DIA	MIN - MAX			
		MIN - MAX	MAX	NOM.	NOM.	NOM.		MIN - MAX		
SBS - 42 - CE	1/8"	.063 - .125	.360	.250	.040	.076	129 - .133 (#30)	240	270	
SBS - 43 - CE		.126 - .187	.422							
SBS - 44 - CE		.188 - .250	.485							
SBS - 45 - CE		.251 - .312	.547							
SBS - 46 - CE		.313 - .375	.610							
SBS - 48 - CE		.376 - .500	.735							
SBS - 52 - CE	5/32"	.020 - .125	.375	.312	.050	.095	.160 - .164 (#20)	390	420	
SBS - 53 - CE		.126 - .187	.437							
SBS - 54 - CE		.188 - .250	.500							
SBS - 56 - CE		.251 - .375	.625							
SBS - 58 - CE		.376 - .500	.750							
SBS - 510 - CE		.501 - .625	.875							
SBS - 62 - CE	3/16"	.020 - .125	.406	.375	.060	.114	.192 - .196 (#11)	550	640	
SBS - 63 - CE		.126 - .187	.468							
SBS - 64 - CE		.188 - .250	.531							
SBS - 66 - CE		.251 - .375	.656							
SBS - 68 - CE		.376 - .500	.781							
SBS - 610 - CE		.501 - .625	.906							
SBS - 612 - CE		.626 - .750	1.026							

3/32" and 1/4" Diameter Rivets can be quoted on request.





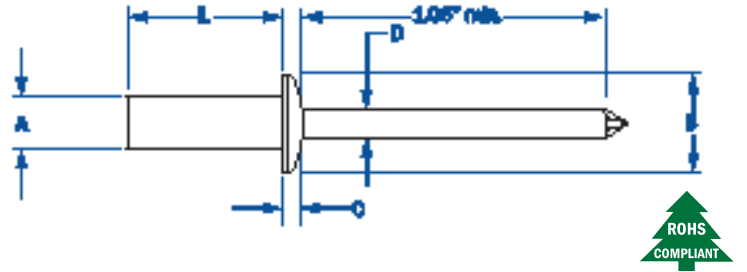
RivetKing® FBF-CE Series • All Stainless • Closed End

CLOSED END • RIVET: 18-8 STAINLESS • MANDREL: STAINLESS

STANDARD BLIND RIVETS

RIVET: DOME HEAD, POLISHED, 300 SERIES STAINLESS STEEL | MANDREL: POLISHED, 400 SERIES STAINLESS STEEL | PER IFI-126 GRADE 51
 300 SERIES STAINLESS STEEL MANDREL/ 300 SERIES STAINLESS STEEL RIVET • AVAILABLE ON REQUEST BY SPECIAL ORDER ONLY

Closed End Rivets are used when a weather proof / leak proof seal is needed. Its completely closed end design prevents liquids, moisture, air and other contaminants from entering the riveted hole and/or the rivet itself. The RivetKing® Closed End rivet design guarantees the mandrel head is fully retained within the rivet. Stainless/Stainless Closed End rivets are bright polished and contain a grooved mandrel which improves jaw life and maintains positive stroke of the riveter. The All-Stainless configuration is corrosion resistant.



PART NUMBER	RIVET SIZE	L		B	C	D	HOLE SIZE	SHEAR	TENSILE
		GRIP RANGE	LENGTH						
		MIN - MAX	MAX	NOM.	NOM.	NOM.	MIN - MAX	LBS.F	LBS.F
FBF - 42 - CE	1/8"	.063 - .125	.360	.250	.040	.076	.129 - .133 (#30)	400	450
FBF - 43 - CE		.126 - .187	.422						
FBF - 44 - CE		.188 - .250	.485						
FBF - 45 - CE		.251 - .312	.547						
FBF - 46 - CE		.313 - .375	.610						
FBF - 48 - CE		.376 - .500	.735						
FBF - 52 - CE	5/32"	.020 - .125	.375	.312	.050	.095	.160 - .164 (#20)	700	800
FBF - 53 - CE		.126 - .187	.437						
FBF - 54 - CE		.188 - .250	.500						
FBF - 56 - CE		.251 - .375	.625						
FBF - 58 - CE		.376 - .500	.750						
FBF - 510 - CE		.501 - .625	.875						
FBF - 62 - CE	3/16"	.020 - .125	.406	.375	.060	.114	.192 - .196 (#11)	850	900
FBF - 63 - CE		.126 - .187	.468						
FBF - 64 - CE		.188 - .250	.531						
FBF - 66 - CE		.251 - .375	.656						
FBF - 68 - CE		.376 - .500	.781						
FBF - 610 - CE		.501 - .625	.906						
FBF - 612 - CE		.626 - .750	1.026						
FBF - 82 - CE	1/4"	.020 - .125	.445	.500	.080	.151	.257 - .261 (F)	1520	1955
FBF - 84 - CE		.125 - .250	.570						
FBF - 86 - CE		.251 - .375	.695						
FBF - 88 - CE		.376 - .500	.820						
FBF - 810 - CE		.501 - .625	.945						
FBF - 812 - CE		.626 - .750	1.070						
FBF - 814 - CE		.751 - .875	1.195						
FBF - 816 - CE		.876 - 1.000	1.320						



*1/4" Diameter rivets have a 1.250 mandrel length minimum.

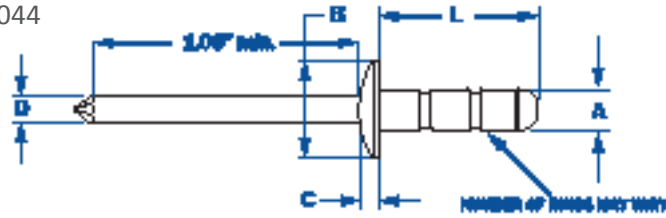


RivetKing® ABS-RT™ Series · "Ring Style" · MultiGrip-RT™

ALUMINUM/STEEL MULTIGRIP™ "RING STYLE"

RIVET: ALUMINUM | MANDREL: STEEL, TRIVALENT ZINC CLEAR PLATED

The benefit of a MultiGrip™ is that they offer a wider grip range than traditional blind rivets assisting the users in inventory reduction and part consolidation efforts. The RT™ series has aesthetic appeal to the backside of the assembly. TS-16949 produced and when applicable on steel, trivalent zinc plated for ROHS and GMW3044 compliance.



HEAD STYLE	PART NUMBER	A RIVET SIZE	GRIP RANGE	L LENGTH	B HEAD DIA	C HEAD HEIGHT	D MANDREL DIA	HOLE SIZE	SHEAR	TENSILE						
			MIN. - MAX.	MAX.	NOM.	NOM.	NOM.	MIN. - MAX.	LBS.F	LBS.F						
DOVE HEAD	ABS - 41 - 42MGRT	1/8"	.020 - .125	.313	.250	.043	.075	.129 - .133 (#30)	122	176						
	ABS - 41 - 43MGRT		.039 - .187	.389												
	ABS - 43 - 44MGRT		.156 - .250	.500												
	ABS - 43 - 45MGRT		.196 - .330	.586												
	ABS - 45 - 47MGRT	.236 - .445	.704	.312	.051	.088	.160 - .164 (#20)	198	354							
	ABS - 51 - 53MGRT	.032 - .157	.393													
	ABS - 52 - 54MGRT	.047 - .276	.512													
	ABS - 53 - 55MGRT	.156 - .354	.590													
	ABS - 54 - 58MGRT	.276 - .472	.708	.375	.062	.114	.192 - .196 (#11)	331	486							
	ABS - 62 - 64MGRT	.062 - .250	.519													
	ABS - 63 - 67MGRT	.187 - .456	.716													
	ABS - 66 - 69MGRT	.275 - .598	.875													
	ABS - 66 - 610MGRT	.393 - .670	.952	.511	.070	.141	.257 - .261 (F)	630	900							
	ABS - 610 - 612MGRT	.500 - .787	1.070													
	ABS - 82 - 84MG	.062 - .250	.472													
	ABS - 84 - 86MG	.156 - .375	.590													
ABS - 86 - 88MG	.250 - .750	.708	1/8"	.375	.043	.075	.129 - .133 (#30)	122	176							
ABS - 41 - 43LFMGRT	.020 - .125	.313														
ABS - 43 - 44LFMGRT	.156 - .250	.500														
ABS - 52 - 54LFMGRT	.047 - .276	.512								.500	.051	.088	.160 - .164	198	354	
ABS - 62 - 64LFMGRT	.062 - .250	.519														
ABS - 63 - 67LFMGRT	.187 - .456	.716														
ABS - 66 - 69LFMGRT	.275 - .598	.875														
C'SUNK	ACS - 43 - 44MGRT	1/8"	.093 - .250	.383	.209	.029	.057	.129 - .138	165	230						
	ACS - 53 - 55MGRT	5/32"	.110 - .312	.470												
	ACS - 62 - 65MGRT	3/16"	.062 - .312	.500							.345	.051	.108	.192 - .200	350	530
	ACS - 66 - 68MGRT		.250 - .500	.690												

*1/4" Diameter rivets have a 1.250 mandrel length minimum.



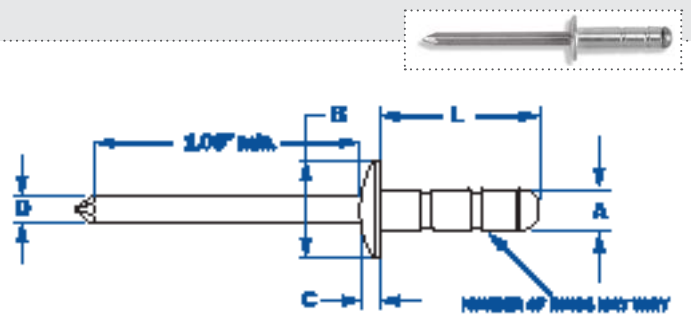
RivetKing® ABA-RT™ Series · "Ring Style" · MultiGrip-RT™

ALUMINUM/ALUMINUM MULTIGRIP™ "RING STYLE"

SPECIALTY BLIND RIVETS

RIVET: ALUMINUM | MANDREL: ALUMINUM ALLOY

The benefit of a MultiGrip™ is that they offer a wider grip range than traditional blind rivets assisting the users in inventory reduction and part consolidation efforts. The RT series has aesthetic appeal to the backside of the assembly. TS-16949 produced and when applicable on steel, trivalent zinc plated for ROHS and GMW3044 compliance.



HEAD STYLE	PART NUMBER	RIVET SIZE	GRIP RANGE		LENGTH NOM.	HEAD DIA MAX.	HEAD HEIGHT MAX.	MANDREL DIA NOM.	HOLE SIZE MIN - MAX	SHEAR LBS.F	TENSILE LBS.F
			MIN	MAX							
DOME HEAD	ABA41 - 43MGRT	1/8"	.039	.187	.313	.262	.040	.076	.129 - .142 (#30)	65	85
	ABA43 - 45MGRT		.157	.312	.573						
	ABA45 - 47MGRT		.251	.437	.594						
	ABA62 - 64MGRT	3/16"	.063	.250	.425	.390	.055	.114	.192 - .205 (#11)	145	205
	ABA63 - 66MGRT		.188	.375	.605						
	ABA66 - 68MGRT		.251	.500	.716						
	ABA68 - 612MGRT		.438	.750	1.050						
LARGE FLANGE	ABA41 - 43LFMGRT	1/8"	.039	.187	.313	.390	.052	.076	.129 - .142	65	85
	ABA62 - 64LFMGRT	3/16"	.063	.250	.425	.650	.083	.114	.192 - .205 (#11)	145	205
	ABA63 - 66LFMGRT		.188	.375	.605						
	ABA68 - 612LFMGRT		.438	.750	1.050						



RivetKing® Manual Riveters

FIND THIS!
PLUS MORE ON
PAGE 8

RIVETKING® 2 IN 1- BLIND RIVET & RIVET NUT TOOL

WHY BUY TWO TOOLS WHEN YOU ONLY NEED ONE?

This unique tool has the ability to set both blind rivets and rivetnuts. It even has the ability to set 1/4" structural blind rivets and rivetnuts up to 3/8". The changeover from blind rivets to rivet nuts is simple and takes less than 1 minute. It's patented fold away design makes it easy to carry and store. It contains a nose piece for blind rivets and mandrels for rivetnuts in every size and is conveniently stored in the blow molded carry case. Forged Steel arms insure durability while comfort soft touch rubberized grips guarantee comfort.

RK-21 BLIND RIVETS = 1/4" & STRUCTURAL RIVET
NUTS = 3/8" OR 10MM

FROM BLIND RIVETS
TO RIVET NUTS

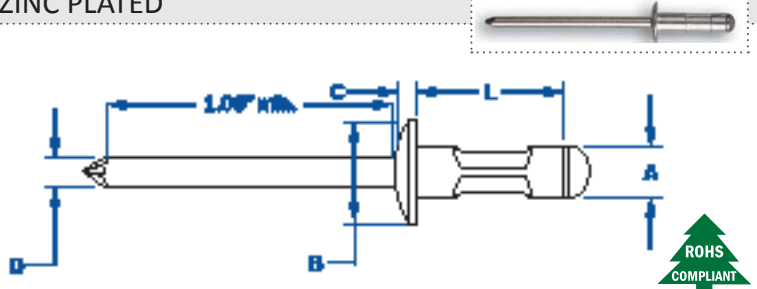


RivetKing® ABS-CT™ Series · "Crimp Style" · MultiGrip-CT™

RIVET: 5056 ALUMINUM • MANDREL: STEEL TRIVALENT ZINC PLATED

RIVET: ALUMINUM | MANDREL: STEEL TRIVALENT ZINC PLATED

The benefit of a MultiGrip™ is that they offer a wider grip range than traditional blind rivets assisting the users in inventory reduction and part consolidation efforts. The CT series has excellent hole fill ability and strength as compared to Standard Blind Rivets and RT series MultiGrips™. TS-16949 produced and when applicable on steel, trivalent zinc plated for ROHS and GMW3044 compliance.



HEAD STYLE	PART NUMBER	A RIVET SIZE	L		B HEAD DIA NOM.	C HEAD HEIGHT NOM.	D MANDREL DIA NOM.	HOLE SIZE MIN. - MAX.	SHEAR TYPICAL LBS.F	TENSILE TYPICAL LBS.F
			GRIP RANGE MIN. - MAX.	LENGTH MAX						
DOME HEAD	ABS - 41 - 43MG	1/8"	.020 - .187	.315	.250	.037	.057	.129 - .138	165	230
	ABS - 42 - 44MG		.046 - .250	.375						
	ABS - 43 - 45MG		.156 - .312	.438						
	ABS - 45 - 46MG		.216 - .375	.500						
	ABS - 51 - 52MG	5/32"	.020 - .156	.270	.312	.047	.086	.161 - .169	255	375
	ABS - 52 - 54MG		.040 - .250	.375						
	ABS - 54 - 56MG		.156 - .375	.500						
	ABS - 56 - 58MG		.250 - .500	.666						
	ABS - 62 - 64MG	3/16"	.062 - .250	.406	.386	.057	.108	.192 - .200	350	530
	ABS - 63 - 67MG		.187 - .437	.595						
	ABS - 66 - 68MG		.250 - .500	.666						
	ABS - 68 - 610MG		.330 - .625	.760						
	ABS - 610 - 612MG		.500 - .750	.978						
	ABS - 82 - 84MG	1/4"	.062 - .250	.472	.511	.070	.141	.257 - .261	630	900
	ABS - 84 - 86MG		.156 - .375	.590						
ABS - 86 - 88MG	.250 - .750		.708							
LARGE FLANGE	ABS - 42 - 43LFMG	1/8"	.031 - .187	.315	.325	.039	.057	.129 - .138	165	230
	ABS - 42 - 44LFMG		.046 - .250	.375						
	ABS - 44 - 45LFMG		.156 - .312	.438						
	ABS - 52 - 54LFMG	5/32"	.062 - .250	.375	.375	.051	.086	.161 - .169	255	375
	ABS - 53 - 55LFMG		.125 - .312	.438						
	ABS - 55 - 58LFMG		.251 - .500	.690						
	ABS - 62 - 64LFMG	3/16"	.062 - .250	.406	.625	.069	.108	.192 - .200	350	530
	ABS - 66 - 68LFMG		.250 - .500	.666						
ABS - 610 - 612LFMG	.500 - .781		.978							
C'SUNK	ACS - 43 - 44MG	1/8"	.093 - .250	.383	.209	.029	.057	.129 - .138	165	230
	ACS - 53 - 55MG	5/32"	.110 - .312	.470	.252	.049	.086	.161 - .169	255	375
	ACS - 62 - 65MG	3/16"	.062 - .312	.500	.345	.051	.108	.192 - .200	350	530
	ACS - 66 - 68MG		.250 - .500	.690						

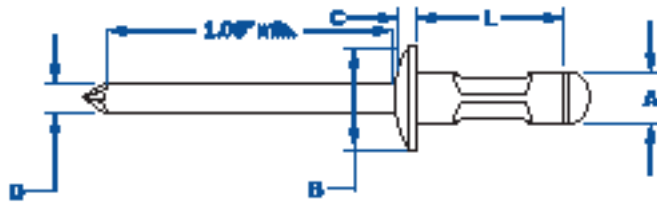
* 1/4" Diameter rivets have a 1.250 mandrel length minimum.

RivetKing® SBS-CT™ Series · "Crimp Style" · MultiGrip-CT™

STEEL/STEEL MULTIGRIP™ "CRIMP STYLE"

RIVET: STEEL TRIVALENT ZINC PLATED | MANDREL: STEEL TRIVALENT ZINC PLATED

The benefit of a MultiGrip™ is that they offer a wider grip range than traditional blind rivets assisting the users in inventory reduction and part consolidation efforts. The CT series has excellent hole fill ability and strength as compared to standard blind rivets and RT series MultiGrips™. TS-16949 produced and when applicable on steel, trivalent zinc plated for ROHS and GMW3044 compliance.



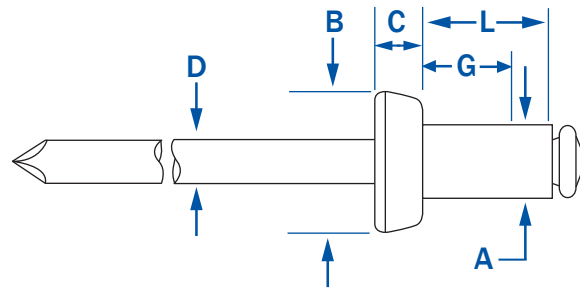
HEAD STYLE	PART NUMBER	RIVET SIZE	GRIP RANGE		LENGTH MAX	HEAD DIA NOM.	HEAD HEIGHT NOM.	MANDREL DIA NOM.	HOLE SIZE		SHEAR LBS.F	TENSILE LBS.F
			MIN	MAX					MIN	MAX		
DOME HEAD	SBS - 41 - 43MG	1/8"	.043	.250	.355	.283	.033	.057	.129	.133 (#30)	340	385
	SBS - 42 - 44MG		.125	.250	.407							
	SBS - 52 - 53MG	5/32"	.056	.196	.433	.319	.047	.108	.160	.164 (#20)	440	530
	SBS - 62 - 63MG	3/16"	.062	.187	.405	.386	.069	.133	.192	.196 (#11)	450	787
SBS - 63 - 64MG	.125		.250	.511								

RivetKing® QuikSnap®

NICKEL PLATED BRASS HEAD | STAINLESS MANDREL - SPECIAL NOSE PIECE REQUIRED

The innovative RivetKing® Quik-Snap™ is the ideal companion to the standard canvas snap used on truck bodies, convertibles, boats, cars and many other applications. The snap head is brass, with a bright nickel plating. The mandrel is stainless steel. Requires T105-734 Nosepiece.

The extract force is a minimum of 5 lbs.



RIVET SIZE	HOLE SIZE AND DRILL NO.	MANDREL DIA. NOM.	FLANGE DIA. NOM.	HEAD HEIGHT MAX.	BARREL LENGTH MAX.	PART NUMBER	GRIP RANGE	TYPICAL ULTIMATE STRENGTH		CARTON	
								SHEAR LBS	TENSILE LBS	QTY. M	WT. LBS
1/8"	.129-.133	.076	.395	.170	.337	B/SS43SH	.020-.087	.260	.310	10	43
3.2	#30				.525	B/SS46SH	.188-.375			10	49



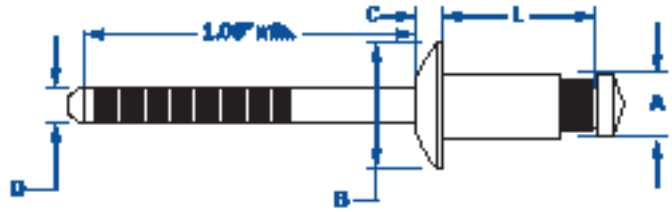
RivetKing® RKQ®

HIGH STRENGTH OPEN END • SELF PLUGGING BLIND RIVET

THE FOLLOWING PRODUCT IS COVERED UNDER THE FOLLOWING PATENT/TRADemark: 3,666,122

AVAILABLE IN STEEL*, STAINLESS STEEL AND ALUMINUM | *STEEL PARTS ARE PLATED WITH CLEAR TRIVALENT ZINC | PER IFI-119

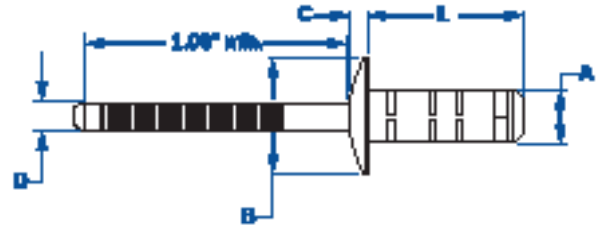
The RKQ® offers is self plugging and offers an interference fit between the knurled mandrel, the rivet body and the hole diameter of the work piece. Its self plugging properties insure that the mandrel is locked within the shear plane which results in superior shear and tensile strength. The RKQ® has a grooved, rattle resistant mandrel which breaks flush with the head in the ideal grip range.



MATERIAL	HEAD STYLE	PART NUMBER	A RIVET SIZE	GRIP RANGE		L LENGTH	B HEAD DIA	C HEAD HEIGHT	D MANDREL DIA	HOLE SIZE MIN. - MAX.	SHEAR LBS.F	TENSILE LBS.F	
				MIN - MAX	MAX								
STEEL	DOME	SBQ - 42	1/8"	.063 - .125	.275	.250	.040	.074	.129 - .133 (#30)	450	350		
		SBQ - 43		.094 - .187	.337								
		SBQ - 44		.126 - .250	.400								
		SBQ - 52	5/32"	.062 - .125	.300	.312	.050	.095	.160 - .164 (#20)	525	500		
		SBQ - 54		.126 - .250	.425								
		SBQ - 56		.251 - .375	.550								
		SBQ - 62	3/16"	.062 - .125	.325	.375	.060	.114	.192 - .196 (#11)	900	700		
		SBQ - 64		.126 - .250	.450								
		SBQ - 66		.251 - .375	.575								
		SBQ - 68		.376 - .500	.700								
		STAINLESS STEEL	DOME	FBQ - 42	1/8"	.063 - .125	.275	.250	.040	.074	.129 - .133 (#30)	550	530
				FBQ - 43		.094 - .187	.337						
FBQ - 44	.126 - .250			.400									
FBQ - 52	5/32"			.062 - .125	.300	.312	.050	.095	.160 - .164 (#20)	850	820		
FBQ - 54				.126 - .250	.425								
FBQ - 56				.251 - .375	.550								
FBQ - 62	3/16"			.062 - .125	.325	.375	.060	.114	.192 - .196 (#11)	1325	1200		
FBQ - 64				.126 - .250	.450								
FBQ - 66				.251 - .375	.575								
FBQ - 68				.376 - .500	.700								
ALUMINUM	DOME			ABQ - 42	1/8"	.063 - .125	.275	.250	.040	.074	.129 - .133 (#30)	220	180
				ABQ - 43		.094 - .187	.337						
		ABQ - 44	.126 - .250	.400									
		ABQ - 52	5/32"	.062 - .125	.300	.312	.050	.095	.160 - .164 (#20)	340	300		
		ABQ - 54		.126 - .250	.425								
		ABQ - 56		.251 - .375	.550								
		ABQ - 62	3/16"	.062 - .125	.325	.375	.060	.114	.192 - .196 (#11)	480	400		
		ABQ - 64		.126 - .250	.450								
		ABQ - 66		.251 - .375	.575								
		ABQ - 68		.376 - .500	.700								

AVAILABLE IN STEEL* AND STAINLESS STEEL | * STEEL PARTS ARE PLATED WITH CLEAR TRIVALENT ZINC

The Rivex® is an advanced MultiGrip™ with increased performance and functionality as compared to standard steel MultiGrip™ rivets. It is also the only MultiGrip™ that is offered in stainless steel. Rivex® rivets consist of a wider grip range and a higher shear and tensile strength. The Rivex® rivet contains an easy entry mandrel head that is grooved and blunt pointed. Its design is rattle resistant and will break flush with the head in the ideal grip range. Its virtual closed end and flush mandrel break makes this rivet leak resistant.



MATERIAL	HEAD STYLE	PART NUMBER	A		L	B	C	D	HOLE SIZE	SHEAR 1		SHEAR 2	
			RIVET SIZE	GRIP RANGE	LENGTH	HEAD DIA	HEAD HEIGHT	MANDREL DIA		MIN. - MAX.	STEM IN SHEAR PLANE	STEM OUTSIDE SHEAR PLANE	TENSILE
				MIN. - MAX.	MAX.	MAX.	MAX.	MAX.	MIN. - MAX.	LBS.F	LBS.F	LBS.F	
STEEL	DOME	SBS - 0414 - RVX	1/8"	.040 - .276	.560	.300	.044	.087	.129 - .133	293	202	263	
		SBS - 0516 - RVX	5/32"	.079 - .315	.620	.330	.060	.110	.161 - .165	518	344	405	
		SBS - 0612 - RVX	3/16"	.059 - .200	.480	.398	.063	.118	.193 - .197	945	585	647	
		SBS - 0614 - RVX		.059 - .250	.540								
		SBS - 0618 - RVX		.059 - .375	.670								
		SBS - 0622 - RVX		.251 - .500	.791								
		SBS - 4844 - RVX	1/4"	.059 - .201	.480	.516	.106	.158	.260 - .272	1508	700	800	
STEEL	LARGE FLANGE	SBS - 0614LF - RVX	3/16"	.059 - .250	.540	.638	.083	.118	.193 - .197	945	585	647	
		SBS - 0618LF - RVX		.059 - .375	.670								
		SBS - 0622LF - RVX		.251 - .500	.791								
STEEL	C'SUNK	SCS - 0614 - RVX	3/16"	.059 - .250	.540	.346	.055	.118	.193 - .197	945	585	647	
		SCS - 0618 - RVX		.059 - .375	.670								
		SCS - 0622 - RVX		.251 - .500	.792								
STAINLESS STEEL	DOME	FBF - 0612 - RVX	3/16"	.059 - .200	.480	.398	.063	.118	.193 - .197	945	931	647	
		FBF - 0614 - RVX		.059 - .250	.540								
		FBF - 0618 - RVX		.059 - .375	.670								
		FBF - 0622 - RVX		.251 - .500	.791								

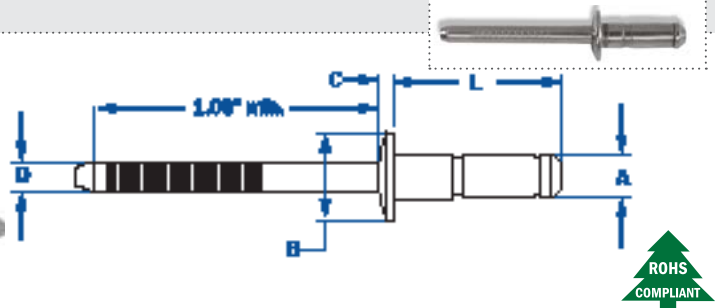


RivetKing® Rivinox®

STAINLESS STEEL • HIGH SHEAR • REAR FLANGE RIVET

RIVET: 18-8 STAINLESS | MANDREL: 18-8 STAINLESS

The Rivinox® rivet provides for an aesthetic secondary rear flange at the back side of the application. Perfect for thin sheet metals or plastics where rivet pull through is of concern. The mandrel will break nearly flush with the head and contains a locked mandrel to prevent vibration. 18-8 stainless steel constructions provides a corrosion resistant joint.



PART NUMBER	RIVET SIZE	GRIP RANGE		LENGTH	HEAD DIA	HEAD HEIGHT	MANDREL DIA	HOLE SIZE	SHEAR	TENSILE
		MIN - MAX	NOM.	MAX.	MAX.	NOM.	MIN - MAX			
FBF - 0408 /RIVINOX	1/8"	.040 - .118		.350	.250	.043	.082	.129 - .134	719	450
FBF - 0411 /RIVINOX		.118 - .197		.450						
FBF - 0414 /RIVINOX		.197 - .276		.540						
FBF - 0509 /RIVINOX	5/32"	.039 - .118		.400	.312	.060	.104	.161 - .169	1169	899
FBF - 0512 /RIVINOX		.118 - .197		.480						
FBF - 0516 /RIVINOX		.197 - .276		.600						
FBF - 0611 /RIVINOX	3/16"	.059 - .138		.510	.375	.070	.127	.193 - .201	1236	1124
FBF - 0614 /RIVINOX		.138 - .236		.610						
FBF - 0618 /RIVINOX		.236 - .335		.730						

SPECIAL SIZES AVAILABLE ON REQUEST

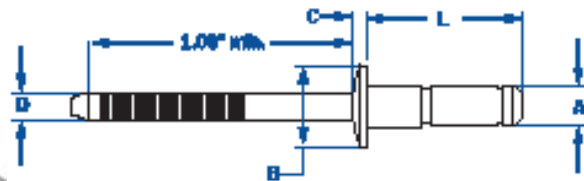


RivetKing® Rivibulb®

ALL STEEL • HIGH SHEAR • REAR FLANGE RIVET

RIVET: C-1010 STEEL, TRIVALENT ZINC CLEAR PLATED | MANDREL: HIGH CARBON STEEL, TRIVALENT ZINC PLATED

The Rivibulb® rivet provides for an aesthetic secondary rear flange at the back side of the application. Perfect for thin sheet metals or plastics where rivet pull through is of concern. The mandrel will break nearly flush with the head and contains a locked mandrel to prevent vibration. Trivalent Zinc Plated for ROHS compliance.



PART NUMBER	RIVET SIZE	GRIP RANGE		LENGTH	HEAD DIA	HEAD HEIGHT	MANDREL DIA	HOLE SIZE	SHEAR	TENSILE
		MIN. - MAX.	NOM.	MAX.	MAX	NOM.	MIN. - MAX.			
SBS - 0408 /RVB	1/8"	.039 - .118		.360	.268	.055	.083	.129 - .134	270	292
SBS - 0411 /RVB		.118 - .197		.461					393	
SBS - 0414 /RVB		.197 - .276		.551					562	
SBS - 0509 /RVB	5/32"	.039 - .118		.410	.315	.059	.102	.161 - .169	539	629
SBS - 0512 /RVB		.118 - .197		.510					787	
SBS - 0516 /RVB		.197 - .276		.620					921	
SBS - 0611 /RVB	3/16"	.059 - .138		.480	.378	.059	.126	.193 - .201	809	855
SBS - 0614 /RVB		.138 - .236		.580					944	
SBS - 0618 /RVB		.236 - .335		.695					1258	
SBS - M6X10 /RVB	6mm	.060 - .156		.413	.472	.078	.156	.240 - .248	945	1215
SBS - M6X13 /RVB		.118 - .236		.532					1215	
SBS - M6X16 /RVB		.236 - .354		.650					1913	
SBS - M6X19 /RVB		.354 - .472		.768					1913	

SPECIAL SIZES AVAILABLE ON REQUEST



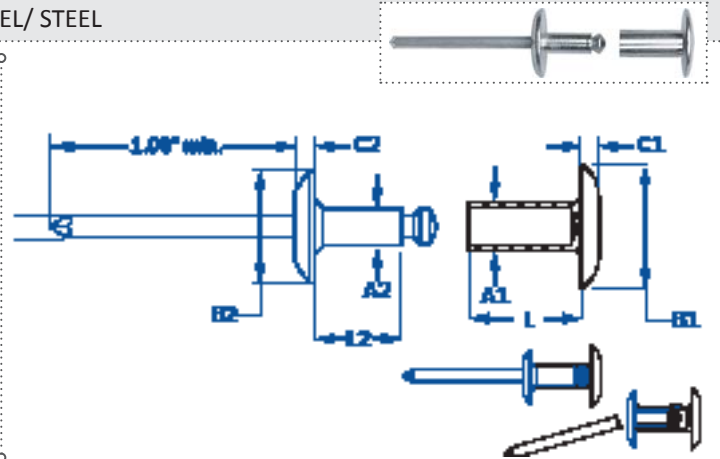
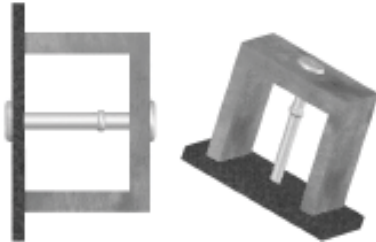
RivetKing® Checkmate®

2 PIECE RIVET • MALE/FEMALE

THE FOLLOWING PRODUCT IS COVERED UNDER THE FOLLOWING | PATENT/TRADEMARK 3,504,664

AVAILABLE IN ALUMINUM/ALUMINUM, ALUMINUM/ STEEL, STEEL/ STEEL

The RivetKing® Checkmate® is the only breakstem permanent fastener to have near flush and aesthetically appealing installation on both sides. A true head on both sides of the rivet. This rivet is offered in extended lengths and has one of the longest grip ranges available.



NOM. BODY DIA.	PART CODE	GRIP RANGE		LENGTH MAX.	FEMALE COMPONENT			MALE COMPONENT			
		MIN.	MAX.		FEMALE DIA. A1	HEAD DIA. B1	HEAD HEIGHT C1	MALE DIA. A2	HEAD DIA. B2	HEAD HEIGHT C2	L2
3/16"	6-12-CM	0.625 - 0.750		0.585	0.187	0.375	0.060	.125	.375	.060	.525
	6-14-CM	0.687 - 0.875		0.647							
	6-17-CM	0.875 - 1.062		0.825							
	6-20-CM	1.062 - 1.250		1.012							
	6-23-CM	1.250 - 1.437		1.200							
	6-26-CM	1.437 - 1.625		1.387							
	6-29-CM	1.625 - 1.812		1.575							
	6-32-CM	1.812 - 2.000		1.762							
	6-35-CM	2.000 - 2.187		1.950							
1/4"	8-12-CM	0.625 - 0.750		0.580	0.250	0.625	.100	0.187	.625	.100	.454
	8-14-CM	0.750 - 0.875		0.695							.608
	8-18-CM	0.875 - 1.125		0.820							
	8-22-CM	1.125 - 1.375		1.070							
	8-26-CM	1.375 - 1.625		1.320							
	8-30-CM	1.625 - 1.875		1.570							
	8-34-CM	1.875 - 2.125		1.820							
	8-38-CM	2.125 - 2.375		2.070							
	8-42-CM	2.375 - 2.625		2.320							
	8-46-CM	2.625 - 2.875		2.570							
	8-50-CM	2.875 - 3.125		2.820							
	8-54-CM	3.125 - 3.375		3.070							
	8-58-CM	3.375 - 3.625		3.320							
	8-62-CM	3.625 - 3.875		3.570							

MATERIALS	
ALL STEEL	SBS
ALL ALUMINUM	ABA
ALUMINUM STEEL	ABS

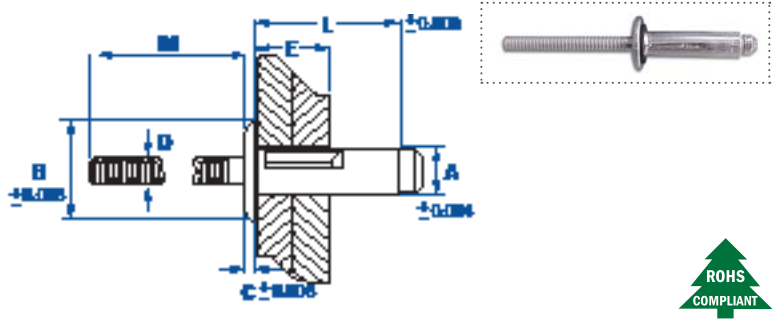
INSTALLED VALUES				
INSTALLED VALUES IN NOMINAL GRIP (LBS.)				
RIVET/MANDREL/TUBULAR COMPONENT:				
		ALUM/ALUM/ALUM	STEEL/STEEL/STEEL	ALUM/STEEL/ALUM
1/4"	TENSILE	250	350	450



RivetKing® Super Trifix™

ALL ALUMINUM • HIGH STRENGTH TRI-FOLDING RIVET

The Super Trifix™ is designed for use in thin sheet metal or soft materials where strength of the riveted joint is of concern. Typically used in repair and replacement of solid rivets in truck bodies, these rivets offer superior shear and tensile strength then that of the standard Tri-Fix™. The mandrel stays within the shear plane and breaks flush with the head. A neoprene washer is affixed under the head to make a weather tight seal. Due to the externally locked mandrel, a special nose piece is required for the installation tool.



PART NUMBER	RIVET SIZE	LENGTH	HEAD DIA	HEAD HEIGHT	MANDREL DIA	OVERALL LENGTH	GRIP RANGE	HOLE SIZE	SHEAR	TENSILE
									LBS. F	LBS. F
ABL0623/ STFX	3/16" (5.2)*	.807 (20.5)	.449 (11.4)	.079 (2.00)	.122 (3.10)	.935 (23.75)	.012 - .197 (0.5 - 5.0)	.209 - .220 (5.30 - 5.60)	733	427
		1.043 (26.5)				1.171 (29.75)	.177 - .433 (4.5 - 11.0)			

*3/16"

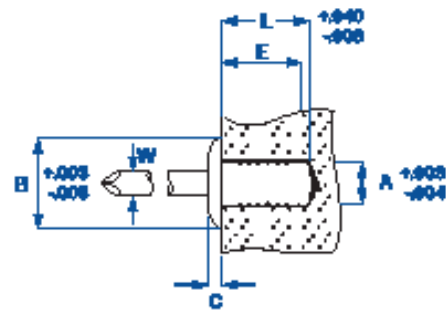
These rivets are made according to a DIN standard in which the body diameter is actually .205 (5.2mm). The 3/16" inch designation has been applied as a reference only as the actual rivet is .205 diameter. Please insure the hole design is .208 - .221 to accommodate the rivet.



RivetKing® Grooved Rivets™

RIVET: ALUMINUM | MANDREL: STEEL, TRIVALENT ZINC PLATED

Grooved Rivets are designed to be installed within a hole made of a fibred material such as wood and some low-medium density plastics. When set properly, the annular rings of the grooved rivet will bite into the wood or plastic and will radially expand within the hole. Keep in mind, this rivet is designed to expand within a hole and not at the rear side like most blind rivets. Only one fibred material is necessary as long as it is the final substrate. Other materials can be fastened to wood products as long as it is between the head and the wood. In this case be sure there is enough material thickness of the fiber material so the rivet can seat properly.

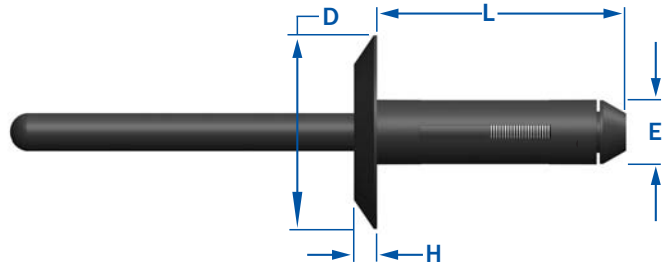


A	L	B	C	D	SHEAR	TENSILE		
RIVET DIA.	GRIP RANGE	LENGTH	HEAD DIA	HEAD HEIGHT			MANDREL DIA	
	MAX.	REF.	REF.	REF.	REF.			
1/8"	ABSM3.2X6/GROOVED	.039	.236	.256	.031	.071	134	180
5/32"	ABSM4.0X8/GROOVED	.157	.315	.315	.039	.087	202	315
	ABSM4.0X12/GROOVED	.236	.472					
	ABSM4.0X16/GROOVED	.315	.630					
3/16"	ABSM4.8X8/GROOVED	.157	.315	.374	.043	.108	360	585
	ABSM4.8X10/GROOVED	.236	.394					
	ABSM4.8X12/GROOVED	.315	.472					
	ABSM4.8X14/GROOVED	.394	.551					
	ABSM4.8X21/GROOVED	.591	.827					
	ABSM4.8X24/GROOVED	.787	.945					



RivetKing® Plastic Trifix® Rivets

Plastic TRIFIX® Rivets are typically used to fasten fabric composites for automotive interiors panels. Produced of black Supertough Nylon and Acetal grade, the TriFix® has been tested for shear/tensile strength and can withstand vibration for the life of the fastener. Other industrial applications include fastening plastics, metal, fiberglass, plastic composites, fabric, and glass. Plastic fasteners are non-conductive, non-corrosive and contain UV inhibitor layer to prevent UV light deterioration.



RIVETS CAN BE SET WITH THE NEW RK-PL

NEW!



FIG. 1

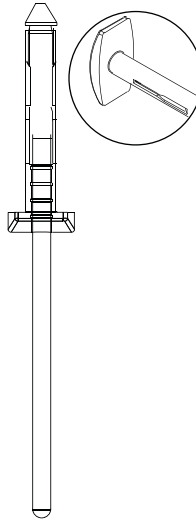


FIG. 2

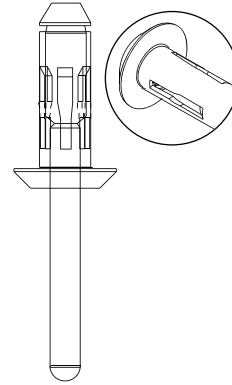
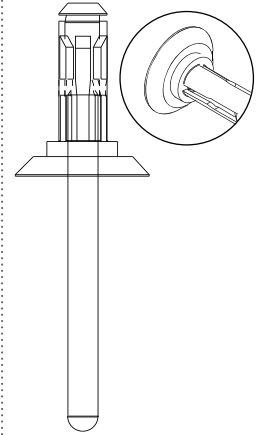


FIG. 3



PART NUMBER	D	GRIP RANGE		H	E	L	HOLE SIZE	HEAD STYLE	REF. DRAWING	SHEAR LBSF (N)	TENSILE LBSF (N)
	RIVET DIAMETER			HEAD DIAMETER	HEAD HEIGHT	LENGTH					
	NOMINAL INCH (METRIC)	INCH (METRIC)	NOMINAL INCH (METRIC)	NOMINAL INCH (METRIC)	NOMINAL INCH (METRIC)	INCH (METRIC)					
APL-R286	0.154 (3.91)	.236 - .419	(6.0 - 10.6)	.315 (8.0)	.098 (2.5)	1.024 (26.0)	0.156 (4.0)	Rectangle	Fig. 1	40 (177)	82 (364)
APL-D305	0.195 (4.95)	.059 - .177	(1.5 - 4.5)	.472 (12.0)	.130 (3.3)	.728 (18.5)	0.197 (5.0)	Protruding	Fig.2	68 (302)	120 (533)
APL-D236	0.195 (4.95)	.118 - .236	(3.0 - 6.0)	.472 (12.0)	.071 (1.8)	.787 (20.0)	0.197 (5.0)	Protruding	Fig.2	68 (302)	120 (533)
APL-D177	0.195 (4.95)	.118 - .177	(3.0 - 4.5)	.472 (12.0)	.071 (1.8)	.787 (20.0)	0.197 (5.0)	Protruding	Fig.2	68 (302)	120 (533)
APL-D308	0.195 (4.95)	.236 - .394	(6.0 - 10.0)	.472 (12.0)	.071 (1.8)	.984 (25.0)	0.197 (5.0)	Protruding	Fig.2	68 (302)	120 (533)
APL-D309	0.195 (4.95)	.118 - .157	(3.0 - 4.0)	.354 (9.0)	.071 (1.8)	.650 (16.5)	0.197 (5.0)	Protruding	Fig.2	68 (302)	120 (533)
APL-D330	0.234 (5.94)	.157 - .335	(4.0 - 8.5)	.512 (13.0)	.098 (2.5)	1.102 (28.0)	0.236 (6.0)	Protruding	Fig.2	110 (489)	181 (805)
APL-L349	0.246 (6.25)	.157 - .236	(4.0 - 6.0)	.669 (17.0)	.098 (2.5)	.709 (18.0)	0.250 (6.35)	Protruding	Fig.2	121 (538)	194 (862)
APL-L350	0.246 (6.25)	.157 - .394	(4.0 - 10.0)	.669 (17.0)	.098 (2.5)	1.102 (28.0)	0.250 (6.35)	Protruding	Fig.2	121 (538)	194 (862)
APL-L351	0.246 (6.25)	.157 - .394	(4.0 - 10.0)	.512 (13.0)	.098 (2.5)	1.102 (28.0)	0.250 (6.35)	Protruding	Fig.2	121 (538)	194 (862)
APL-C353	0.246 (6.25)	.028 - .193	(0.7 - 4.9)	.670 (17.0)	.098 (2.5)	.682 (17.4)	0.250 (6.35)	Protruding	Fig.2	121 (538)	194 (862)
APL-C354	0.246 (6.25)	.028 - .178	(0.7 - 4.5)	.670 (17.0)	.098 (2.5)	.682 (17.4)	0.250 (6.35)	Countersunk	Fig.3	121 (538)	194 (862)
APL-D385	0.258 (6.55)	.098 - .197	(2.5 - 5.0)	.512 (13.0)	.098 (2.5)	.787 (20.0)	0.260 (6.6)	Countersunk	Fig.3	137 (609)	219 (974)
APL-L386	0.258 (6.55)	.098 - .197	(2.5 - 5.0)	.709 (18.0)	.098 (2.5)	.787 (20.0)	0.26 (6.6)	Protruding	Fig.2	137 (609)	219 (974)

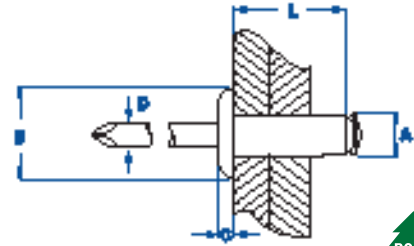


RivetKing® PLR™ Rivet

ALUMINUM/ STEEL

SPECIALTY BLIND RIVETS

RivetKing® PLR™ Rivet work great in plastic and soft materials with out of round holes. The rivet is scored by the mandrel and split into three parts. TS-16949 produced and when applicable on steel, trivalent zinc plated for ROHS and GMW3044 compliance.



RIVET SIZE	PART NUMBER	GRIP RANGE MAX.	A		B		C	L		HOLE SIZE	SHEAR	TENSILE
			SHANK DIAMETER	HEAD DIAMETER	HEAD HEIGHT	LENGTH						
			MIN.	MAX.	MIN.	MAX.	MAX.	MIN.	MAX.			
1/8"	ABSM3.2X8/PLR	.138	.121	.129	.229	.264	.051	.315	.354	.129	225	270
	ABSM3.2X10/PLR	.197	.121	.129	.229	.264	.051	.394	.433			
	ABSM3.2X12/PLR	.275	.121	.129	.229	.264	.051	.472	.511			
	ABSM3.2X14/PLR	.354	.121	.129	.229	.264	.051	.551	.590			
	ABSM3.2X16/PLR	.433	.121	.129	.229	.264	.051	.630	.669			
ABSM3.2X18/PLR	.512	.121	.129	.229	.264	.051	.709	.748				
5/32"	ABSM4X8/PLR	.157	.152	.158	.272	.331	.067	.315	.354	.165	324	325
	ABSM4X10/PLR	.236	.152	.158	.272	.331	.067	.394	.433			
	ABSM4X12/PLR	.315	.152	.158	.272	.331	.067	.472	.511			
	ABSM4X14/PLR	.393	.152	.158	.272	.331	.067	.551	.590			
	ABSM4X16/PLR	.479	.152	.158	.272	.331	.067	.630	.669			
	ABSM4X18/PLR	.551	.152	.158	.272	.331	.067	.709	.748			
ABSM4X20/PLR	.630	.152	.158	.272	.331	.067	.787	.826				
ABSM4X25/PLR	.826	.152	.158	.272	.331	.067	.984	1.023				
3/16"	ABSM4.8X10/PLR	.197	.183	.193	.327	.398	.079	.394	.433	.196	405	353
	ABSM4.8X12/PLR	.275	.183	.193	.327	.398	.079	.472	.511			
	ABSM4.8X14/PLR	.354	.183	.193	.327	.398	.079	.551	.590			
	ABSM4.8X16/PLR	.433	.183	.193	.327	.398	.079	.630	.669			
	ABSM4.8X18/PLR	.512	.183	.193	.327	.398	.079	.709	.748			
	ABSM4.8X21/PLR	.630	.183	.193	.327	.398	.079	.827	.865			
	ABSM4.8X24/PLR	.748	.183	.193	.327	.398	.079	.945	.984			
	ABSM4.8X27/PLR	.866	.183	.193	.327	.398	.079	1.063	1.102			
	ABSM4.8X30/PLR	.984	.183	.193	.327	.398	.079	1.181	1.220			
	ABSM4.8X32/PLR	1.063	.183	.193	.327	.398	.079	1.260	1.248			
	ABSM4.8X35/PLR	1.181	.183	.193	.327	.398	.079	1.378	1.417			
	ABSM4.8X40/PLR	1.260	.183	.193	.327	.398	.079	1.575	1.614			
	ABSM4.8X45/PLR	1.456	.183	.193	.327	.398	.079	1.772	1.810			
ABSM4.8X51/PLR	1.653	.183	.193	.327	.398	.079	1.968	2.007				
5MM	ABSM5X40/PLR	1.260	.193	.201	.342	.413	.079	1.575	1.614	.204	450	472
	ABSM5X45/PLR	1.456	.193	.201	.342	.413	.079	1.772	1.810			
	ABSM5X50/PLR	1.653	.193	.201	.342	.413	.079	1.968	2.007			
	ABSM5X55/PLR	1.850	.193	.201	.342	.413	.079	2.165	2.204			
	ABSM5X60/PLR	2.047	.193	.201	.342	.413	.079	2.362	2.401			
	ABSM5X65/PLR	2.244	.193	.201	.342	.413	.079	2.559	2.598			
	ABSM5X70/PLR	2.440	.193	.201	.342	.413	.079	2.756	2.795			
	ABSM5X75/PLR	2.677	.193	.201	.342	.413	.079	2.952	2.991			
	ABSM5X80/PLR	2.834	.193	.201	.342	.413	.079	3.149	3.188			
	ABSM5X90/PLR	3.149	.193	.201	.342	.413	.079	3.543	3.582			
	ABSM5X100/PLR	3.543	.193	.201	.342	.413	.079	3.937	3.976			
	ABSM5X110/PLR	3.937	.193	.201	.342	.413	.079	4.330	4.369			
	ABSM5X120/PLR	4.330	.193	.201	.342	.413	.079	4.724	4.763			
	ABSM5X130/PLR	4.724	.193	.201	.342	.413	.079	5.118	5.157			
	ABSM5X140/PLR	5.119	.193	.201	.342	.413	.079	5.512	5.551			
	ABSM5X150/PLR	5.511	.193	.201	.342	.413	.079	5.905	5.944			
	ABSM5X160/PLR	5.905	.193	.201	.342	.413	.079	6.299	6.338			
ABSM5X170/PLR	6.299	.193	.201	.342	.413	.079	6.693	6.732				
ABSM5X180/PLR	6.692	.193	.201	.342	.413	.079	7.086	7.125				
ABSM5X190/PLR	7.086	.193	.201	.342	.413	.079	7.480	7.519				
1/4"	ABSM6.4X35/PLR	1.181	.246	.256	.457	.528	.106	1.378	1.417	.260	550	786
	ABSM6.4X50/PLR	1.653	.246	.256	.457	.528	.106	1.968	2.007			
	ABSM6.4X80/PLR	2.834	.246	.256	.457	.528	.106	3.149	3.188			
	ABSM6.4X100/PLR	3.543	.246	.256	.457	.528	.106	3.937	3.976			
	ABSM6.4X120/PLR	4.330	.246	.256	.457	.528	.106	4.724	4.763			
	ABSM6.4X150/PLR	5.511	.246	.256	.457	.528	.106	5.905	5.944			
	ABSM6.4X175/PLR	6.496	.246	.256	.457	.528	.106	6.890	6.928			
ABSM6.4X200/PLR	7.480	.246	.256	.457	.528	.106	7.874	7.913				



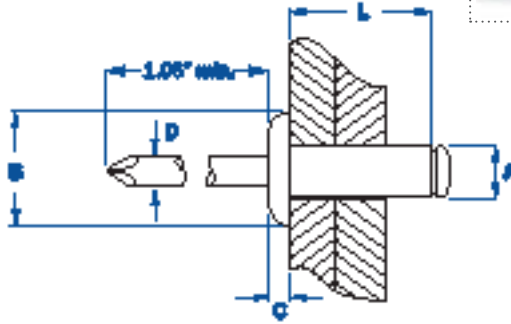
RivetKing® Long Length Rivet

ALUMINUM/ STEEL LONG LENGTH BLIND RIVETS DOME HEAD

RIVET: ALUMINUM | MANDREL: STEEL, TRIVALENT ZINC PLATED



Long length blind rivets are used in areas that require a thick grip range that goes beyond standard sizes. Used in insulation, roofing or other industrial extended grip, blind side applications.



PART NUMBER	A	GRIP RANGE	L	B	C	D	HOLE SIZE	SHEAR	TENSILE
	RIVET SIZE		LENGTH	HEAD DIA	HEAD HEIGHT	MANDREL DIA			
			MIN-MAX	MAX	NOM.	NOM.			
01050004035	5/32"	1.02 - 1.25	1.38	.300	.047	.083	.161	180	220
01050004040		1.25 - 1.44	1.57						
01050005040	3/16" **	1.18 - 1.38	1.57	.366	.060	.108	.200	450	618
01050005045		1.37 - 1.58	1.77						
01050005050		1.57 - 1.77	1.97						
01050005055		1.77 - 1.98	2.17						
01050005060		1.98 - 2.17	2.37						
01050005065		2.17 - 3.26	2.57						
01050005070		2.36 - 2.56	2.77						
01050005075		2.56 - 2.75	2.95						
01050005080		2.76 - 2.95	3.15						
01050005090		2.95 - 3.35	3.54						
010500050100		3.35 - 3.74	3.93						
010500050110		3.74 - 4.13	4.33						
010500050120		1.14 - 4.53	4.72						
010500050130		4.52 - 4.92	5.12						
010500050140		4.92 - 5.32	5.52						
010500050150		5.32 - 5.71	6.29						
010500050160		5.71 - 5.91	4.77						
010500050170		6.10 - 6.50	6.70						
010500050180	6.50 - 6.89	7.09							
010500050190	6.89 - 7.29	7.50							
01050006480	1/4"	1.65 - 2.87	3.15	.512	.079	.142	2.56	550	765
010500064100		2.87 - 3.66	3.93						
010500064120		3.66 - 4.45	4.72						
010500064150		4.45 - 5.63	6.91						
010500064175		5.63 - 6.61	6.89						
010500064200		6.61 - 7.60	7.87						

3/16" **

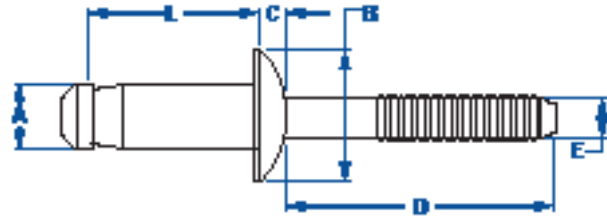
The 3/16" rivets are made according to din7337 standard in which the body diameter is actually 5mm (.196).

The 3/16" inch designation has been applied as a reference only as the actual rivet is .196 diameter.

Please insure the hole design is greater then .200 to accommodate the rivet.

AVAILABLE MATERIALS: ALL STEEL, ALL ALUMINUM DOME HEAD

The Stemlock® is an advanced structural fastening solution that has among the highest shear and tensile values available because the mandrel is locked into the shear plane. The internal locking mechanism insures positive mandrel retention and will break flush with the head. The Stemlock® is designed to form a bearing surface flange at the rear side of the substrate. This rear flange is perfect for thin sheets or imperfect holes offering impressive clamp up forces without deforming the substrate.



		STANDARD FLANGE								
A			L	A	B	C	E			
RIVET SIZE	PART NUMBER	GRIP RANGE	RIVET LENGTH	BODY	HEAD DIA.	HEAD HEIGHT	MANDREL DIA.	BACKSIDE CLEARANCE	SHEAR STRENGTH	TENSILE STRENGTH
		MIN. - MAX.	MAX	DIA.	MAX.	MAX.	DIA.	MIN.	LBF	LBF
1/4"	STMS-0812	.068 - .138	.539	.250 .260	.530	.110	N/R	.480	2360	1,978
	STMS-0813	.110 - .189	.590						2698	
	STMS-0814	.132 - .211	.612						2810	
	STMS-0815	.189 - .268	.669						3147	
	STMS-0817	.268 - .346	.747						3374	
	STMS-0818	.295 - .374	.775						3597	
	STMS-0819	.346 - .425	.826							
	STMS-0821	.425 - .504	.905							
1/4"	STMA-0812	.068 - .138	.539	.250 .260	.530	.110	N/R	.480	1124	600
	STMA-0813	.110 - .189	.590						1349	
	STMA-0814	.132 - .211	.612						1394	
	STMA-0815	.189 - .268	.669						1460	
	STMA-0817	.268 - .346	.747						1574	
	STMA-0818	.295 - .374	.775							
	STMA-0819	.346 - .425	.826							
	STMA-0821	.425 - .504	.905							



RivetKing® Tigerbolt®

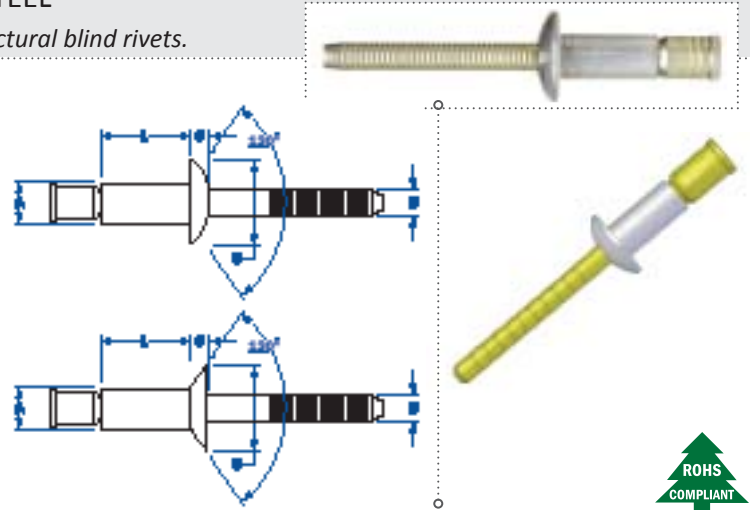
STRUCTURAL BLIND RIVETS • EXTERNAL LOCKING

THE FOLLOWING PRODUCT IS COVERED UNDER THE FOLLOWING PATENT/TRADemark: 2,386,588

AVAILABLE IN STEEL, ALUMINUM, AND STAINLESS STEEL

* A Special nose piece is required to set externally locked structural blind rivets.

The RivetKing® Tigerbolt® is a structural rivet with an external locking feature. This locking feature is visible after the rivet is applied. When applied, the special nose piece that is required to set the rivet creates a small expansion of a shoulder on the mandrel in a pocket located on the surface of the rivet head. The locking feature can then be inspected and confirmed to be effective during assembly. The Tigerbolt® has a stronger clamp up than the In-lock® and is tighter at minimum grip. The mandrel is retained within the shear plane yielding high strength under shear loads and the external lock insures positive mandrel retention which results in high strength under pullout loads. Typically used in the manufacturing or repair of truck bodies, the Tigerbolt® is leak resistant and has excellent clamp-up force. The Tigerbolt® has a wide grip range and is offered in two diameters and two lengths. The mandrel breaks flush with the head when applied and is set with a special nose piece.



Material	PART NUMBER	A RIVET SIZE	GRIP RANGE MIN. - MAX.	Head Style	L	B	C	D	HOLE SIZE MIN. - MAX.	SHEAR LBS.F	TENSILE LBS.F	MANDREL PUSHOUT LBS.F
					LENGTH MAX	HEAD DIA MAX.	HEAD HEIGHT MAX.	MANDREL DIA NOM.				
ALUMINUM	ABA - 64 - TB	3/16"	.062 - .250	Dome	.416	.400	.090	.118	.194 - .204 (#10)	674	495	50
	ABA - 67 - TB		.062 - .437	Dome	.577							
	ABA - 86 - TB	1/4"	.080 - .375	Dome	.556	.530	.117	.157	.261 - .276 (G)	1349	944	100
	ABA - 810 - TB		.080 - .625	Dome	.806							
	ACA - 88 - TB		.125 - .500	C'sunk	.581							
STEEL	SBS - 64 - TB	3/16"	.062 - .250	Dome	.416	.400	.090	.118	.194 - .204 (#10)	1438	1147	100
	SBS - 67 - TB		.062 - .437	Dome	.577							
	SBS - 86 - TB	1/4"	.080 - .375	Dome	.556	.530	.117	.157	.261 - .276 (G)	2675	2360	250
	SBS - 810 - TB		.080 - .625	Dome	.806							
	SCS - 88 - TB		.125 - .500	C'sunk	.581							
STAINLESS	FBF - 64 - TB	3/16"	.062 - .250	Dome	.416	.400	.090	.118	.194 - .204 (#10)	1438	1146	100
	FBF - 67 - TB		.062 - .437	Dome	.577							
	FBF - 86 - TB	1/4"	.080 - .375	Dome	.556	.530	.117	.157	.261 - .276 (G)	2630	2360	250
	FBF - 810 - TB		.080 - .625	Dome	.806							
	FCF - 88 - TB		.125 - .500	C'sunk	.581							





RivetKing® In-Lock®

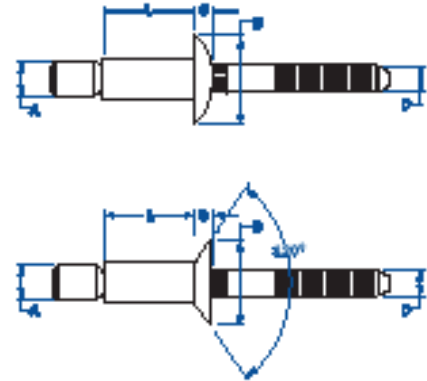
STRUCTURAL BLIND RIVETS • INTERNAL LOCKING

THE FOLLOWING PRODUCT IS COVERED UNDER THE FOLLOWING PATENT/TRADENAME: 77/613,050

AVAILABLE IN STEEL, ALUMINUM, AND STAINLESS STEEL | COMPLIANT WITH IFI 134

* Any nose piece can be used. No special requirement.

The RivetKing® In-Lock® is a structural rivet with an internal locking feature. The locking feature is not visible when the rivet is applied. The mandrel is retained within the shear plane yielding high strength under shear loads and the internal lock insures positive mandrel retention which results in high strength under pullout loads. Typically used in the manufacturing or repair of truck bodies, the In-Lock® is leak resistant and has excellent clamp-up force. The In-Lock® has a wide grip range and is offered in two diameters and two lengths. The mandrel breaks flush with the head when applied and is set without a special nose piece.



Material	PART NUMBER	RIVET SIZE	GRIP RANGE	Head Style	L	B	C	D	HOLE SIZE	SHEAR	TENSILE	MANDREL PUSHOUT
					MIN. - MAX.	MAX.	NOM.	NOM.				
ALUMINUM	ABA - 64 - STR	3/16"	.062 - .270	Dome	.415	.385	.085	.118	.191 - .201 (#10)	550	450	50
	ABA - 67 - STR		.214 - .437	Dome	.572							
	ABA - 67E - STR		.062 - .437	Dome	.572							
	ABA - 86 - STR	1/4"	.080 - .375	Dome	.560	.525	.117	.157	.261 - .272 (G)	1270	830	100
	ABA - 810 - STR		.350 - .625	Dome	.810							
	ABA - 810E - STR		.080 - .625	Dome	.810							
	ACA - 88 - STR		.160 - .475	C'sunk	.660							
	ABA - 1212 - STR	3/8"	.120 - .560	Dome	.843	.770	.177 MAX	.232	.392 - .408	2950	1900	250
STEEL	SBS - 64 - STR	3/16"	.062 - .270	Dome	.415	.385	.085	.118	.194 - .204 (#10)	1300	1000	150
	SBS - 67 - STR		.214 - .437	Dome	.572							
	SBS - 67E - STR		.062 - .437	Dome	.572							
	SBS - 86 - STR	1/4"	.080 - .375	Dome	.560	.525	.117	.157	.261 - .276 (G)	2400	1850	300
	SBS - 810 - STR		.350 - .625	Dome	.810							
	SBS - 810E - STR		.080 - .625	Dome	.810							
	SCS - 88 - STR		.160 - .475	C'sunk	.660							
	SBS - 1212 - STR	3/8"	.120 - .560	Dome	.843	.770	.177 MAX	.232	.392 - .408	5600	4000	650
STAINLESS	FBF - 64 - STR	3/16"	.062 - .270	Dome	.415	.385	.090	.118	.194 - .204 (#10)	1300	1000	100
	FBF - 67 - STR		.214 - .437	Dome	.572							
	FBF - 67E - STR		.062 - .437	Dome	.572							
	FBF - 86 - STR	1/4"	.080 - .375	Dome	.560	.525	.117	.157	.261 - .276 (G)	2400	1850	200
	FBF - 810 - STR		.350 - .625	Dome	.810							
	FBF - 810E - STR		.080 - .625	Dome	.810							
	FCF - 88 - STR		.160 - .475	C'sunk	.660							



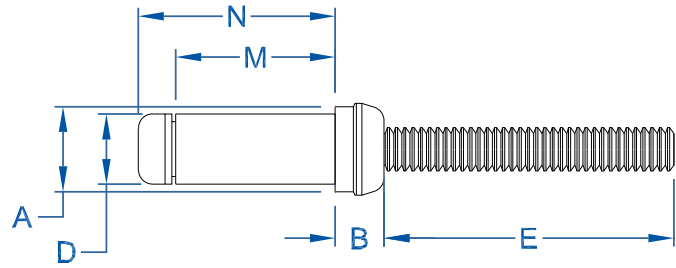
RivetKing® RivBolt™

STEEL/STEEL

THE FOLLOWING PRODUCT IS COVERED UNDER THE FOLLOWING PATENT/TRADEMARK: 3,504,676

The RivetKing® RivBolt™ is ideal for high strength blind precision applications. The RivetKing® RivBolt™ is engineered for the truck/trailer, HVAC, automotive, rail car and structural racking systems. The RivetKing® RivBolt™ has a high shear and tensile value with clamp up for vibration resistance.

Tamper proof easy install from one side of the application with RivetKing® RK-756 or RK-745 tools. The RivetKing® RivBolt™ will break flush in the proper grip range.



MINIMUM VALUES IN NOMINAL GRIP**

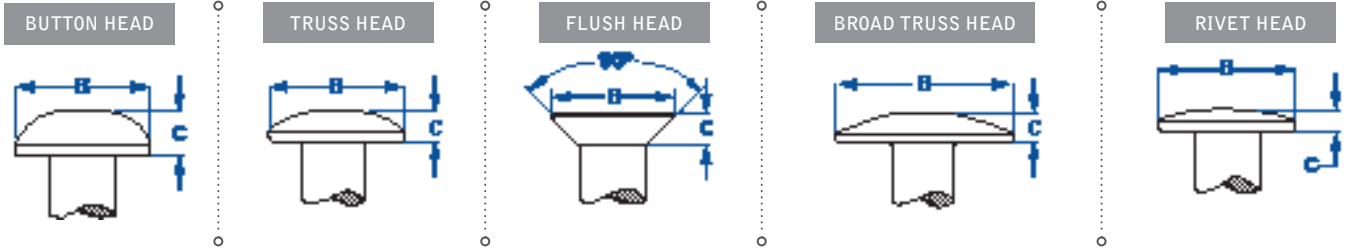
PART NUMBER	DIAMETER	GRIP RANGE	A	B	C	D	E	M	N	SHEAR	TENSILE	HOLE DIAMETER
					MAX.			REF.	MAX.			
RB6-2	3/16"	.093-.156	.276-.286	.152-.168	.015	.196-.206	.785	.376	.500	2800	1800	.208-.222
RB6-3	3/16"	.157-.219	.276-.286	.152-.168	.015	.196-.206	.785	.439	.562	2800	1800	.208-.222
RB6-4	3/16"	.220-.281	.276-.286	.152-.168	.015	.196-.206	.785	.501	.625	2800	1800	.208-.222
RB6-5	3/16"	.282-.344	.276-.286	.152-.168	.015	.196-.206	.785	.564	.687	2800	1800	.208-.222
RB6-6	3/16"	.345-.406	.276-.286	.152-.168	.015	.196-.206	.785	.626	.750	2800	1800	.208-.222
RB6-7	3/16"	.407-.469	.276-.286	.152-.168	.015	.196-.206	.785	.689	.812	2800	1800	.208-.222
RB6-8	3/16"	.470-.531	.276-.286	.152-.168	.015	.196-.206	.785	.751	.875	2800	1800	.208-.222
RB6-9	3/16"	.532-.594	.276-.286	.152-.168	.015	.196-.206	.785	.814	.937	2800	1800	.208-.222
RB6-10	3/16"	.595-.656	.276-.286	.152-.168	.015	.196-.206	.785	.876	1.000	2800	1800	.208-.222
RB6-11	3/16"	.657-.719	.276-.286	.152-.168	.015	.196-.206	.785	.939	1.062	2800	1800	.208-.222
RB6-12	3/16"	.720-.781	.276-.286	.152-.168	.015	.196-.206	.785	1.001	1.125	2800	1800	.208-.222
RB8-2	1/4"	.093-.156	.368-.380	.205-.225	.020	.262-.275	.860	.460	.620	5100	3250	.277-.292
RB8-3	1/4"	.157-.219	.368-.380	.205-.225	.020	.262-.275	.860	.523	.682	5100	3250	.277-.292
RB8-4	1/4"	.220-.281	.368-.380	.205-.225	.020	.262-.275	.860	.585	.745	5100	3250	.277-.292
RB8-5	1/4"	.282-.344	.368-.380	.205-.225	.020	.262-.275	.860	.648	.807	5100	3250	.277-.292
RB8-6	1/4"	.345-.406	.368-.380	.205-.225	.020	.262-.275	.860	.710	.870	5100	3250	.277-.292
RB8-7	1/4"	.407-.469	.368-.380	.205-.225	.020	.262-.275	.860	.773	.932	5100	3250	.277-.292
RB8-8	1/4"	.470-.531	.368-.380	.205-.225	.020	.262-.275	.860	.835	.995	5100	3250	.277-.292
RB8-9	1/4"	.532-.594	.368-.380	.205-.225	.020	.262-.275	.860	.898	1.057	5100	3250	.277-.292
RB8-10	1/4"	.595-.656	.368-.380	.205-.225	.020	.262-.275	.860	.960	1.120	5100	3250	.277-.292
RB8-11	1/4"	.657-.719	.368-.380	.205-.225	.020	.262-.275	.860	1.023	1.182	5100	3250	.277-.292
RB8-12	1/4"	.720-.781	.368-.380	.205-.225	.020	.262-.275	.860	1.085	1.245	5100	3250	.277-.292
RB10-4	5/16"	.188-.312	.468-.478	.266-.278	.025	.332-.346	1.285	.695	.875	8050	5200	.348-.368
RB10-6	5/16"	.313-.437	.468-.478	.266-.278	.025	.332-.346	1.285	.820	1.000	8050	5200	.348-.368
RB10-8	5/16"	.438-.562	.468-.478	.266-.278	.025	.332-.346	1.285	.945	1.125	8050	5200	.348-.368
RB10-10	5/16"	.563-.687	.468-.478	.266-.278	.025	.332-.346	1.285	1.070	1.250	8050	5200	.348-.368
RB10-12	5/16"	.688-.812	.468-.478	.266-.278	.025	.332-.346	1.285	1.195	1.375	8050	5200	.348-.368
RB10-14	5/16"	.813-.937	.468-.478	.266-.278	.025	.332-.346	1.285	1.320	1.500	8050	5200	.348-.368
RB10-16	5/16"	.938-1.062	.468-.478	.266-.278	.025	.332-.346	1.285	1.445	1.625	8050	5200	.348-.368
RB12-4	3/8"	.188-.312	.553-.563	.315-.327	.030	.393-.411	1.230	.766	.969	11100	7250	.413-.435
RB12-6	3/8"	.313-.437	.553-.563	.315-.327	.030	.393-.411	1.230	.891	1.094	11100	7250	.413-.435
RB12-8	3/8"	.438-.562	.553-.563	.315-.327	.030	.393-.411	1.230	1.016	1.219	11100	7250	.413-.435
RB12-10	3/8"	.563-.687	.553-.563	.315-.327	.030	.393-.411	1.230	1.141	1.344	11100	7250	.413-.435
RB12-12	3/8"	.688-.812	.553-.563	.315-.327	.030	.393-.411	1.230	1.266	1.469	11100	7250	.413-.435
RB12-14	3/8"	.813-.937	.553-.563	.315-.327	.030	.393-.411	1.230	1.391	1.594	11100	7250	.413-.435
RB12-16	3/8"	.938-1.062	.553-.563	.315-.327	.030	.393-.411	1.230	1.516	1.719	11100	7250	.413-.435
RB12-18	3/8"	1.063-1.187	.553-.563	.315-.327	.030	.393-.411	1.230	1.641	1.844	11100	7250	.413-.435
RB12-20	3/8"	1.188-1.312	.553-.563	.315-.327	.030	.393-.411	1.230	1.766	1.969	11100	7250	.413-.435

**These are minimum shear and tensile strengths, in pounds, of installed fasteners, when tested in a grip equal to or greater than one and one half the fastener diameter.

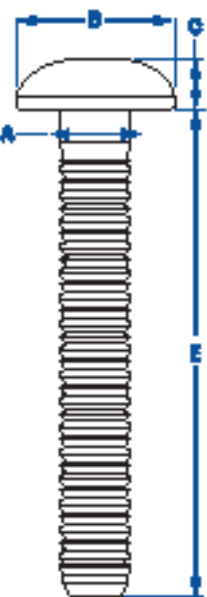
GRIPS

NOM. BODY DIA.	PART NUMBER				GRIP RANGE		LENGTH	MANDREL DIA.	MAX HOLE SIZE
	CATEGORY	HEAD	MATERIAL	DIA-GRIP	MIN.	MAX.			
3/16"	CBMRP	T	R	6 - 10	0.062	0.625	1.788	.183 - .187	0.203
	CBMGP	T	R	6 - 20	0.312	1.250	2.730		
1/4"	CBMGP	T	R	8 - 10	0.063	0.625	1.965	.245 - .249	0.265
	CBMGP	T	R	8 - 20	0.312	1.250	2.560		
5/16"	CBMGP	T	R	10 - 12	0.125	0.750	2.340	.307 - .311	0.328
	CBMGP	T	R	10 - 22	0.625	1.375	2.840		
3/8"	CBMGP	T	R	12 - 14	0.125	0.875	2.875	.369 - .375	0.390
	CBMGP	T	R	12 - 26	0.812	1.625	3.500		

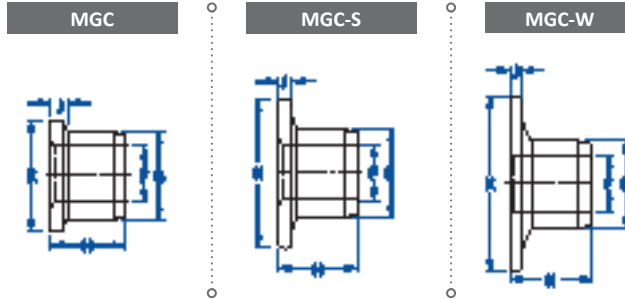
HEADS



NOM. HEAD DIA.	HEAD DIA.	BUTTON HEAD (B)		TRUSS HEAD (T)		FLUSH HEAD (90)		BROAD TRUSS HEAD (30)		RIVET HEAD (98T)	
		HEAD DIAMETER	HEAD HEIGHT	HEAD DIAMETER	HEAD HEIGHT	HEAD DIAMETER	HEAD HEIGHT	HEAD DIAMETER	HEAD HEIGHT	HEAD DIAMETER	HEAD HEIGHT
3/16"	10	.356 - .394	.113 - .125	N/A	N/A	.323 - .359	.092 - .102	N/A	N/A	.450 - .488	.91 - .105
	20	.356 - .394	.113 - .125	N/A	N/A	.323 - .359	.076 - .087	N/A	N/A	.450 - .488	.91 - .105
1/4"	10	.475 - .525	.136 - .152	.531 - .594	.103 - .115	.433 - .478	.119 - .128	**	.138 - .162	N/A	N/A
	20	.475 - .525	.136 - .152	.531 - .594	.103 - .115	.433 - .478	.102 - .115	**	.138 - .162	N/A	N/A
5/16"	12	.594 - .656	.181 - .201	.703 - .797	.127 - .141	.542 - .594	.149 - .162	N/A	N/A	N/A	N/A
	22	.594 - .656	.181 - .201	.703 - .797	.127 - .141	.542 - .594	.129 - .142	N/A	N/A	N/A	N/A
3/8"	14	.713 - .787	.223 - .248	.828 - .922	.152 - .168	.651 - .714	.178 - .195	1.188 - 1.25	.188 - .212	N/A	N/A
	26	.713 - .787	.223 - .248	.828 - .922	.190 - .200	.651 - .714	.153 - .170	1.188 - 1.25	.188 - .212	N/A	N/A



COLLAR DIMENSIONS



COLLAR	DIAMETER	HOLE DIAMETER (F)	BODY DIAMETER (B)	OVERALL LENGTH (H)	HEAD HEIGHT (J)	FLANGE DIAMETER (K)
MGC	3/16"	.189 - .195	.307 - .313	.265 - .285	.040 - .052	.365 - .385
MGC	1/4"	.250 - .260	.399 - .405	.360 - .390	.055 - .070	.480 - .520
MGC	5/16"	.312 - .320	.501 - .509	.430 - .446	.069 - .086	.605 - .645
MGC	3/8"	.376 - .384	.603 - .611	.490 - .520	.086 - .100	.730 - .770
MGC-S	3/16"	.189 - .195	.308 - .315	.290 - .320	.085 - .115	.495 - .535
MGC-W	3/16"	.189 - .195	.307 - .314	.290 - .320	.090 - .115	.640 - .754
MGC-W	1/4"	.250 - .260	.399 - .405	.432 - .462	.115 - .145	.855 - 1.00

MATERIALS

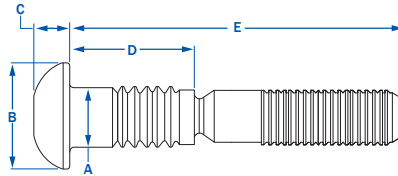
NOM. BODY DIA.		STEEL (SZ)	ALUMINUM 6061 (A6)
		3/16"	SHEAR 1725 TENSILE 1400
1/4"	SHEAR 2200 TENSILE 2550	1200 1620	
5/16"	SHEAR 3000 TENSILE 3910	2200 2500	
3/8"	SHEAR 4200 TENSILE 5625	3000 4000	



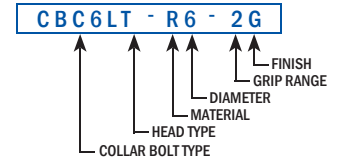
RivetKing® Collar Bolt Fixed Grip

COLLAR BOLT

Industrial Rivet's part numbers are made up of six elements which, when correctly designated, completely describe the desired rivet.



SAMPLE PART NUMBER



GRIPS

NOM. BODY DIA.	PART NUMBER					GRIP RANGE		NOTCH LENGTH	OVERALL LENGTH	MAX HOLE SIZE
	CATEGORY	HEAD	MATERIAL	DIA-GRIP	PLATING	MIN.	MAX.			
3/16"	CBC6L	T	R	6 - 2	G	0.063	- 0.188	0.394	1.404	0.203
	CBC6L	T	R	6 - 3	G	0.125	- 0.250	0.457	1.466	
	CBC6L	T	R	6 - 4	G	0.188	- 0.313	0.519	1.529	
	CBC6L	T	R	6 - 5	G	0.250	- 0.375	0.582	1.519	
	CBC6L	T	R	6 - 6	G	0.313	- 0.438	0.644	1.654	
	CBC6L	T	R	6 - 7	G	0.375	- 0.500	0.707	1.716	
	CBC6L	T	R	6 - 8	G	0.438	- 0.563	0.769	1.779	
	CBC6L	T	R	6 - 9	G	0.500	- 0.625	0.832	1.841	
	CBC6L	T	R	6 - 10	G	0.563	- 0.688	0.894	1.904	
	CBC6L	T	R	6 - 11	G	0.625	- 0.750	0.957	1.966	
	CBC6L	T	R	6 - 12	G	0.688	- 0.813	1.019	2.029	
	CBC6L	T	R	6 - 13	G	0.750	- 0.875	1.082	2.091	
	CBC6L	T	R	6 - 14	G	0.813	- 0.938	1.144	2.154	
	CBC6L	T	R	6 - 15	G	0.875	- 1.000	1.207	2.216	
	CBC6L	T	R	6 - 16	G	0.938	- 1.063	1.269	2.279	
	CBC6L	T	R	6 - 17	G	1.000	- 1.125	1.332	2.341	
CBC6L	T	R	6 - 18	G	1.063	- 1.188	1.394	2.404		
CBC6L	T	R	6 - 19	G	1.125	- 1.250	1.457	2.466		
CBC6L	T	R	6 - 20	G	1.188	- 1.313	1.519	2.529		
1/4"	CBC6L	T	R	8 - 2	G	0.063	- 0.188	0.485	1.520	0.266
	CBC6L	T	R	8 - 3	G	0.125	- 0.250	0.548	1.583	
	CBC6L	T	R	8 - 4	G	0.188	- 0.313	0.610	1.645	
	CBC6L	T	R	8 - 5	G	0.250	- 0.375	0.673	1.708	
	CBC6L	T	R	8 - 6	G	0.313	- 0.438	0.735	1.770	
	CBC6L	T	R	8 - 7	G	0.375	- 0.500	0.798	1.833	
	CBC6L	T	R	8 - 8	G	0.438	- 0.563	0.860	1.895	
	CBC6L	T	R	8 - 9	G	0.500	- 0.625	0.923	1.958	
	CBC6L	T	R	8 - 10	G	0.563	- 0.688	0.985	2.020	
	CBC6L	T	R	8 - 11	G	0.625	- 0.750	1.048	2.083	
	CBC6L	T	R	8 - 12	G	0.688	- 0.813	1.110	2.145	
	CBC6L	T	R	8 - 13	G	0.750	- 0.875	1.173	2.208	
	CBC6L	T	R	8 - 14	G	0.813	- 0.938	1.235	2.270	
	CBC6L	T	R	8 - 15	G	0.875	- 1.000	1.298	2.333	
	CBC6L	T	R	8 - 16	G	0.938	- 1.063	1.360	2.395	
	CBC6L	T	R	8 - 17	G	1.000	- 1.125	1.423	2.458	
CBC6L	T	R	8 - 18	G	1.063	- 1.188	1.485	2.520		
CBC6L	T	R	8 - 19	G	1.125	- 1.250	1.548	2.583		
CBC6L	T	R	8 - 20	G	1.188	- 1.313	1.610	2.645		
5/16"	CBC6L	T	R	10 - 4	G	0.125	- 0.375	0.749	1.906	0.328
	CBC6L	T	R	10 - 6	G	0.250	- 0.500	0.874	2.031	
	CBC6L	T	R	10 - 8	G	0.375	- 0.625	1.000	2.156	
	CBC6L	T	R	10 - 10	G	0.500	- 0.750	1.124	2.281	
	CBC6L	T	R	10 - 12	G	0.625	- 0.875	1.249	2.406	
	CBC6L	T	R	10 - 14	G	0.750	- 1.000	1.374	2.531	
	CBC6L	T	R	10 - 16	G	0.875	- 1.125	1.500	2.656	
	CBC6L	T	R	10 - 18	G	1.000	- 1.250	1.624	2.781	
CBC6L	T	R	10 - 20	G	1.125	- 1.375	1.749	2.906		
3/8"	CBC6L	T	R	12 - 4	G	0.125	- 0.375	0.809	2.125	0.391
	CBC6L	T	R	12 - 6	G	0.250	- 0.500	0.934	2.250	
	CBC6L	T	R	12 - 8	G	0.375	- 0.625	1.059	2.375	
	CBC6L	T	R	12 - 10	G	0.500	- 0.750	1.184	2.500	
	CBC6L	T	R	12 - 12	G	0.625	- 0.875	1.309	2.625	
	CBC6L	T	R	12 - 14	G	0.750	- 1.000	1.434	2.750	
	CBC6L	T	R	12 - 16	G	0.875	- 1.125	1.559	2.875	
	CBC6L	T	R	12 - 18	G	1.000	- 1.250	1.684	3.000	
CBC6L	T	R	12 - 20	G	1.125	- 1.375	1.809	3.125		

RK-722 TOOL



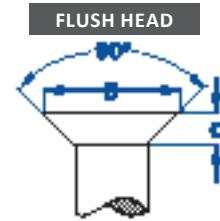
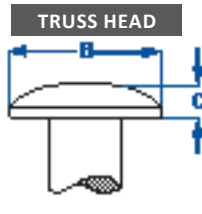
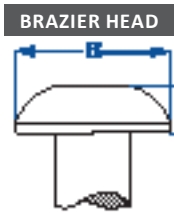
RK-745 TOOL



RK-756 TOOL



HEADS



NOM. BODY DIA.	BRAZIER HEAD (B)		TRUSS HEAD (T)		FLUSH HEAD (90)	
	HEAD DIAMETER (B)	HEAD HEIGHT (D)	HEAD DIAMETER (B)	HEAD HEIGHT (D)	HEAD DIAMETER (B)	HEAD HEIGHT (D)
3/16"	.390 - .360	.125 - .113	.469 - .406	.088 - .078	.354 - .328	.085 - .075
1/4"	.525 - .475	.152 - .136	.594 - .531	.115 - .103	.473 - .437	.113 - .101
5/16"	.694 - .556	.201 - .181	.797 - .703	.141 - .127	.589 - .547	.141 - .127
3/8"	.787 - .713	.248 - .223	.922 - .828	.202 - .186	.709 - .656	.168 - .152

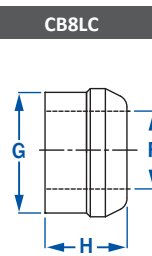
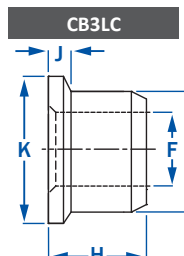
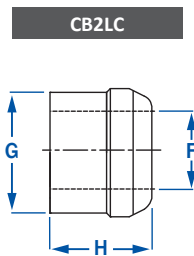
Capacity to 1 1/8" Diameter on request

MATERIALS

NOM. BODY DIA.		STEEL (R)	ALUMINUM 2024 (C)	ALUMINUM 6061 (F)	STAINLESS STEEL 18-8 (U)
		3/16"	SHEAR	1725	1050
	TENSILE	1650	1000	530	1455
1/4"	SHEAR	3050	1875	1375	3550
	TENSILE	3000	1800	975	3750
5/16"	SHEAR	4725	2925	2125	5525
	TENSILE	4600	2850	1550	4250
3/8"	SHEAR	6825	4200	3050	7950
	TENSILE	6500	4200	2400	6100

Capacity to 1 1/8" Diameter on request

COLLAR DIMENSIONS



COLLAR	DIAMETER	HOLE DIAMETER (F)	BODY DIAMETER (G)	OVERALL LENGTH (H)	HEAD HEIGHT (J)	HEAD DIAMETER (K)
STANDARD	3/16"	.187 - .196	.311 - .304	.220 - .260		
	1/4"	.256 - .265	.409 - .402	.320 - .290		
	5/16"	.304 - .312	.494 - .485	.380 - .350		
	3/8"	.375 - .385	.600 - .590	.460 - .430		
FLANGE	3/16"	.187 - .196	.311 - .304	.280 - .250	.062 - .031	.391 - .359
	1/4"	.256 - .267	.409 - .402	.379 - .349	.078 - .047	.516 - .484
	5/16"	.304 - .312	.507 - .498	.426 - .394	.094 - .062	.641 - .609
	3/8"	.378 - .390	.610 - .599	.532 - .502	.125 - .062	.781 - .719
LOW PROFILE	3/16"	.187 - .196	.311 - .304	.162 - .132	0.094	
	1/4"	.256 - .265	.409 - .402	.202 - .172	0.125	
	5/16"	.304 - .312	.494 - .485	.255 - .225	0.125	
	3/8"	.375 - .385	.600 - .590	.295 - .310	0.156	

RK-745/KIT • MAX 3/8"

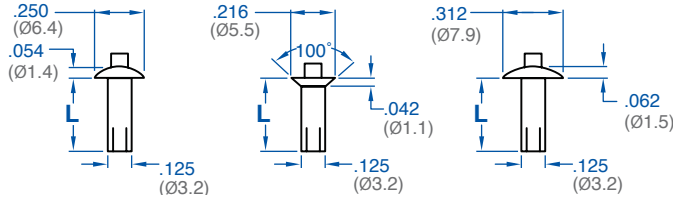


RK-756/KIT • MAX 3/8"

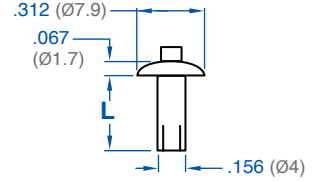


RivetKing® Drive Rivets

1/8" (Ø 3.2)

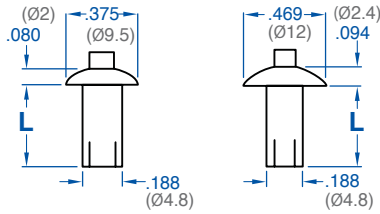


5/32" (Ø 4)

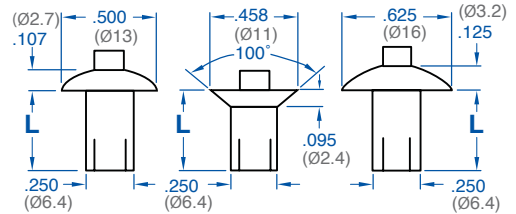


PART NUMBERS			GRIP				PART NUMBERS	
UNIVERSAL HEAD	100° CSK HEAD	FULL BRAZIER HEAD	L	MIN.	NOM.	MAX.	L	UNIVERSAL HEAD
DR38-104-02-xx			.156 (4)	.047 (1.2)	.063 (1.6)	.078 (2)	.188 (4.8)	
DR38-104-03-xx	DR38-504-03-xx	DR38-204-03-xx	.188 (4.8)	.078 (2)	.094 (2.4)	.109 (2.8)	.219 (5.6)	DR38-105-03-xx
DR38-104-04-xx		DR38-204-04-xx	.219 (5.6)	.109 (2.8)	.125 (3.2)	.141 (3.6)	.250 (6.4)	DR38-105-04-xx
DR38-104-05-xx	DR38-504-05-xx	DR38-204-05-xx	.250 (6.4)	.141 (3.6)	.156 (4)	.172 (4.4)	.281 (7.1)	DR38-105-05-xx
DR38-104-06-xx		DR38-204-06-xx	.281 (7.1)	.172 (4.4)	.188 (4.8)	.203 (5.2)	.313 (7.9)	DR38-105-06-xx
DR38-104-07-xx	DR38-504-07-xx	DR38-204-07-xx	.313 (7.9)	.203 (5.2)	.219 (5.6)	.234 (6)	.344 (8.7)	DR38-105-07-xx
DR38-104-08-xx			.344 (8.7)	.234 (6)	.250 (6.4)	.266 (6.8)	.375 (9.5)	DR38-105-08-xx
DR38-104-09-xx	DR38-504-09-xx		.375 (9.5)	.266 (6.8)	.281 (7.1)	.297 (7.5)	.406 (10.3)	DR38-105-09-xx
DR38-104-10-xx			.406 (10.3)	.297 (7.5)	.313 (7.9)	.328 (8.3)	.438 (11.1)	DR38-105-10-xx
DR38-104-11-xx			.438 (11.1)	.328 (8.3)	.344 (8.7)	.359 (9.1)	.469 (11.9)	
DR38-104-12-xx		DR38-204-12-xx	.469 (11.9)	.359 (9.1)	.375 (9.5)	.391 (9.9)	.500 (12.7)	DR38-105-11-xx
DR38-104-13-xx			.500 (12.75)	.453 (11.5)	.469 (11.9)	.484 (12.3)	.594 (15.1)	DR38-105-12-xx
				.484 (12.3)	.500 (12.7)	.516 (13.1)	.625 (15.9)	DR38-105-13-xx
				.609 (15.5)	.625 (15.9)	.641 (16.3)	.750 (19.1)	DR38-105-14-xx

3/16" Ø 4.8



1/4" (Ø 6.4)



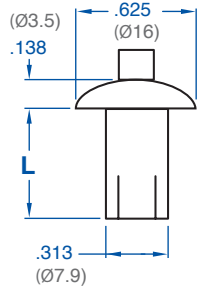
PART NUMBERS			GRIP				PART NUMBERS		
UNIVERSAL HEAD	Full Brazier HEAD	L	MIN.	NOM.	MAX.	L	UNIVERSAL HEAD	100° CSK HEAD	Full Brazier HEAD
DR38-106-02-xx	DR38-206-02-xx	.250 (6.4)	.047 (1.2)	.094 (2.4)	.141 (3.6)	.250 (6.4)	DR38-108-02-xx		DR38-208-02-xx
DR38-106-04-xx	DR38-206-04-xx	.281 (7.1)	.078 (2)	.125 (3.2)	.172 (4.4)	.281 (7.1)	DR38-108-04-xx		DR38-208-04-xx
DR38-106-06-xx	DR38-206-06-xx	.344 (8.7)	.141 (3.6)	.188 (4.8)	.234 (6)	.344 (8.7)	DR38-108-06-xx		DR38-208-06-xx
DR38-106-08-xx	DR38-206-08-xx	.406 (10.3)	.203 (5.2)	.250 (6.4)	.297 (7.5)	.416 (10.6)	DR38-108-08-xx	DR38-508-08-xx	DR38-208-08-xx
DR38-106-10-xx	DR38-206-10-xx	.469 (11.9)	.266 (6.8)	.313 (7.9)	.359 (9.1)	.469 (11.9)	DR38-108-10-xx	DR38-508-10-xx	DR38-208-10-xx
DR38-106-12-xx	DR38-206-12-xx	.531 (13.5)	.328 (8.3)	.375 (9.5)	.422 (10.7)	.531 (13.5)	DR38-108-12-xx	DR38-508-12-xx	DR38-208-12-xx
DR38-106-14-xx	DR38-206-14-xx	.594 (15.1)	.391 (9.9)	.438 (11.1)	.484 (12.3)	.594 (15.1)	DR38-108-14-xx	DR38-508-14-xx	DR38-208-14-xx
DR38-106-16-xx	DR38-206-16-xx	.656 (16.7)	.453 (11.5)	.500 (12.7)	.547 (13.9)	.656 (16.7)	DR38-108-16-xx	DR38-508-16-xx	DR38-208-16-xx
DR38-106-18-xx	DR38-206-18-xx	.719 (18.3)	.516 (13.1)	.563 (14.3)	.609 (15.5)	.719 (18.3)	DR38-108-18-xx	DR38-508-18-xx	DR38-208-18-xx
DR38-106-20-xx	DR38-206-20-xx	.781 (19.8)	.578 (14.7)	.625 (15.9)	.672 (17.1)	.781 (19.8)	DR38-108-20-xx	DR38-508-20-xx	DR38-208-20-xx
			.641 (16.3)	.688 (17.5)	.734 (18.7)	.844 (21.4)		DR38-508-22-xx	
			.703 (17.9)	.750 (19.1)	.797 (20.3)	.906 (23)	DR38-108-24-xx	DR38-508-24-xx	DR38-208-24-xx
	DR38-206-26-xx	.969 (24.6)	.766 (19.4)	.813 (20.6)	.859 (21.8)	.969 (24.6)		DR38-508-26-xx	DR38-208-26-xx
DR38-106-28-xx		1.031 (26.2)	.828 (21)	.875 (22.2)	.922 (23.4)	1.031 (26.2)	DR38-108-28-xx	DR38-508-28-xx	DR38-208-28-xx
DR38-106-32-xx	DR38-206-32-xx	1.156 (29.4)	.953 (24.2)	1.000 (25.4)	1.047 (26.6)	1.156 (29.4)			DR38-208-32-xx
			1.078 (27.4)	1.125 (28.6)	1.171 (29.7)	1.281 (32.5)			DR38-208-36-xx
			1.328 (33.7)	1.375 (34.9)	1.421 (36.1)	1.531 (38.9)			DR38-208-44-xx

MATERIALS -XX

- 13 Aluminum/Stainless
- 16 All Aluminum

LARGE DIAMETER ALUMINUM DRIVE RIVETS

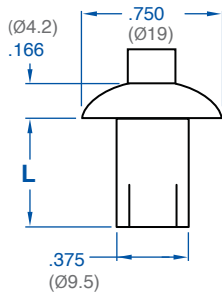
5/16" (Ø 7.9)



GRIP				PART NUMBERS
MIN.	NOM.	MAX.	L	UNIVERSAL HEAD
.132 (3.4)	.188 (4.8)	.242 (6.2)	.438 (11.1)	DR38-110-06-16
.226 (5.7)	.281 (7.1)	.336 (8.5)	.531 (13.5)	DR38-110-09-16
.320 (8.1)	.375 (9.5)	.430 (10.9)	.625 (15.9)	DR38-110-12-16
.414 (10.5)	.469 (11.9)	.523 (13.3)	.719 (18.3)	DR38-110-15-16
.508 (12.9)	.563 (14.3)	.617 (15.7)	.813 (20.6)	DR38-110-18-16
.601 (15.3)	.656 (16.7)	.711 (18.1)	.906 (23)	DR38-110-21-16
.695 (17.7)	.750 (19.1)	.804 (20.5)	1.000 (25.4)	DR38-110-24-16
.789 (20)	.844 (21.4)	.898 (22.8)	1.094 (27.8)	DR38-110-27-16
.882 (22.4)	.938 (23.8)	.992 (25.2)	1.188 (30.2)	DR38-110-30-16



3/8" (Ø 9.5)



GRIP				PART NUMBERS
MIN.	NOM.	MAX.	L	UNIVERSAL HEAD
.125 (3.2)	.188 (4.8)	.250 (6.4)	.500 (12.7)	DR38-112-06-16
.219 (5.5)	.281 (7.1)	.344 (8.7)	.594 (15.1)	DR38-112-09-16
.313 (7.9)	.375 (9.5)	.438 (11.1)	.688 (17.5)	DR38-112-12-16
.406 (10.3)	.469 (11.9)	.531 (13.5)	.781 (19.8)	DR38-112-15-16
.500 (12.7)	.563 (14.3)	.625 (15.9)	.875 (22.2)	DR38-112-18-16
.594 (15.1)	.656 (16.7)	.719 (18.3)	.969 (24.6)	DR38-112-21-16

MATERIAL AND FINISH

.125 (Ø 3.2) and .156 (Ø 4)
RIVET: Aluminum, natural.
PIN: 302 Stainless steel, natural.

.188(Ø 4.8) and .250 (Ø 6.4)
RIVET: Aluminum, natural.
PIN: 7075 Aluminum, natural.

.313 (Ø 7.9) and .375 (Ø 9.5)
RIVET: Aluminum, natural.
PIN: 7075 Aluminum, natural.

INSTALLATION FOR RIVETKING® DRIVE RIVETS

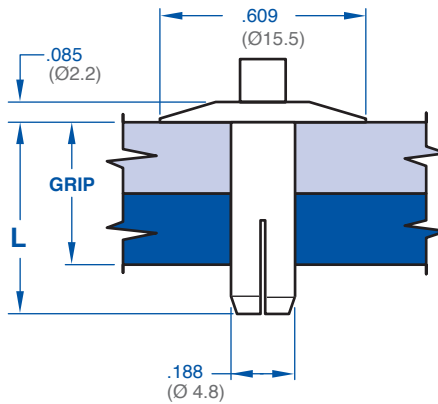


INSTALLATION INSTRUCTIONS

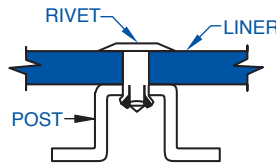
1. Use a carbide tipped spiral masonry drill, same diameter as rivet [.250 (Ø 6.4) or .188 (Ø 4.8)]. Drill to any depth, deep enough to permit full insertion of rivet.
2. Insert rivet through material to be attached and into wall. No other parts to apply-rivet works like a nail.
3. Drive the pin just flush with rivet head, using ordinary hammer. Rivet prongs expand deep in masonry where it is strongest.
4. That's all. Attachment is complete. To remove, drill head off or, if hole is deep enough, drive pin through and pull rivet out.

TRAILER LINER RIVETS

GRIP			PART NUMBERS
MIN.	NOM.	L	UNIVERSAL HEAD
.075 (1.9)	.175 (4.4)	.281 (7.1)	DR10-11-706-13
.175 (4.4)	.275 (7)	.391 (9.9)	DR10-12-706-13
.275 (7)	.375 (9.5)	.484 (12.3)	DR10-13-706-13
.375 (9.5)	.475 (12.1)	.578 (14.7)	DR10-14-706-13
.475 (12.1)	.575 (14.6)	.688 (17.5)	DR10-15-706-13
.575 (14.6)	.675 (17.1)	.781 (19.8)	DR10-16-706-13



*Grip equals total thickness of all layers to be fastened.

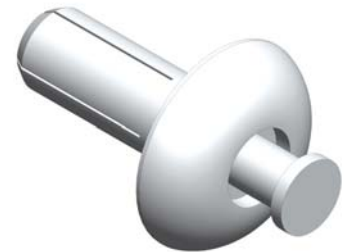
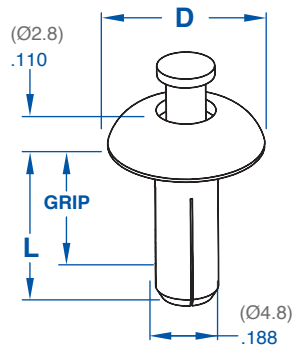


MATERIAL AND FINISH
RIVET: 2117 Aluminum, natural.
PIN: 7075 Aluminum, natural.



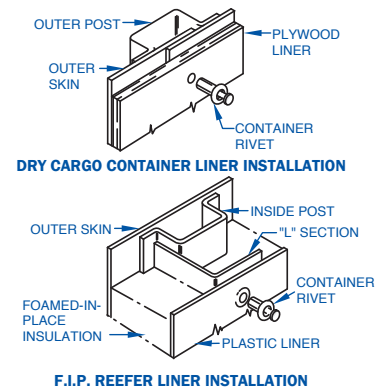
TAMPER-RESISTANT, TAMPER-EVIDENT RIVETS

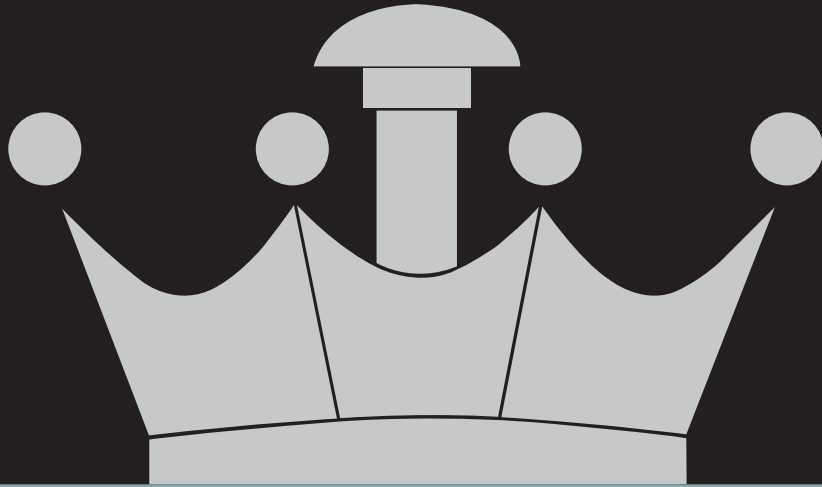
- RECESSED PIN RESISTS BEING DRIVEN THROUGH OR DRILLED OUT
- REMOVAL IS DIFFICULT AND TIME CONSUMING
- NON-SNAG HEAD DESIGN
- AVAILABLE IN 2 DIAMETERS AND 4 GRIP RANGES



Material and Finish
RIVET: 5052 Aluminum, natural.
PIN: 5556 Aluminum, natural.

GRIP			PART NUMBERS	
MIN.	MAX.	L	.468 (Ø 12) Head	.615 (Ø 16) Head
.075 (1.9)	.175 (4.4)	.281 (7.1)	DR10-99-106-11	DR10-99-108-11
.175 (4.4)	.275 (7)	.391 (9.9)	DR10-99-106-12	DR10-99-108-12
.275 (7)	.375 (9.5)	.484 (12.3)	DR10-99-106-13	DR10-99-108-13
.375 (9.5)	.475 (12.1)	.578 (14.7)	DR10-99-106-14	DR10-99-108-14





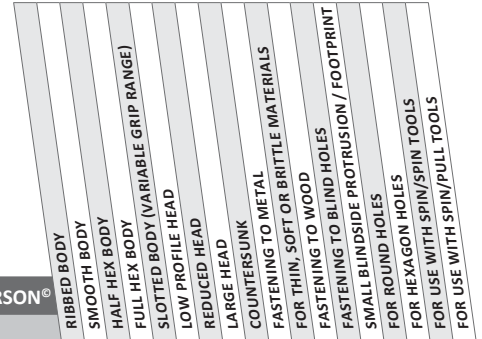
RIVETKING® RIVETNUTS



<p>IKF SERIES® STANDARD RIVETNUT RIBBED BODY • LOW PROFILE HEAD</p>  <p>PAGES 03,04,06</p>	<p>IKR SERIES® STANDARD RIVETNUT • RIBBED BODY • REDUCED HEAD</p>  <p>PAGE 11</p>	<p>IRL SERIES™ STANDARD RIVETNUT • SMOOTH BODY • LARGE HEAD</p>  <p>PAGE 02</p>	<p>IRR SERIES™ STANDARD RIVETNUT • SMOOTH BODY • REDUCED HEAD</p>  <p>PAGE 11</p>	
<p>ISR SERIES™ STANDARD RIVETNUT • SWAGING • STRAIGHT KNURL</p>  <p>PAGES 03,04,06</p>	<p>ISN SERIES® STANDARD RIVETNUT • SWAGING • DIAMOND KNURL (FOR PLASTICS)</p>  <p>PAGE 11</p>	<p>IHF SERIES™ STANDARD RIVETNUT • HALF HEX BODY • LOW PROFILE HEAD</p>  <p>PAGE 02</p>	<p>NKL SERIES™ EUROPEAN STANDARD RIVETNUT • RIBBED BODY • LARGE HEAD</p>  <p>PAGE 11</p>	
<p>NKR SERIES™ EUROPEAN STANDARD RIVETNUT • RIBBED BODY • REDUCED HEAD</p>  <p>PAGES 03,04,06</p>	<p>NKC SERIES™ EUROPEAN STANDARD RIVETNUT • RIBBED BODY • COUNTERSUNK HEAD</p>  <p>PAGE 11</p>	<p>NSL SERIES™ EUROPEAN STANDARD RIVETNUTS • SMOOTH BODY • LARGE SERRATED HEAD</p>  <p>PAGE 02</p>	<p>NHL SERIES™ EUROPEAN STANDARD RIVETNUTS • FULL HEX BODY • LARGE HEAD</p>  <p>PAGE 11</p>	
<p>NHR SERIES™ EUROPEAN STANDARD RIVETNUT • FULL HEX BODY • REDUCED HEAD</p>  <p>PAGES 03,04,06</p>	<p>IPB SERIES™ STANDARD RIVETNUT • QUADRANUT • PRE-BULBED SHANK</p>  <p>PAGE 11</p>	<p>IPN SERIES™ STANDARD RIVETNUT • QUADRANUT • STRAIGHT SHANK</p>  <p>PAGE 02</p>	<p>JK SERIES™ STANDARD RIVETNUT • QUADRANUT • STAMPED</p>  <p>PAGE 11</p>	<p>JF SERIES™ STANDARD RIVETNUT • RUBBERNUT</p>  <p>PAGE 11</p>

RivetKing® RivetNut Product Overview

RIVET NUTS



RIVETKING®		AVK®	BoIHOFF®	AVDEL®	SHEREX®	ATLAS®	POP®	MARSON®	RIBBED BODY	SMOOTH BODY	HALF HEX BODY	FULL HEX BODY (VARIABLE GRIP RANGE)	SLOTTED BODY	LOW PROFILE HEAD	REDUCED HEAD	LARGE HEAD	COUNTERSUNK	FASTENING TO METAL FOR THIN, SOFT OR BRITTLE MATERIALS	FASTENING TO WOOD	FASTENING TO BLIND HOLES	FASTENING TO BLIND HOLES / FOOTPRINT	SMALL BLINDSIDE PROTRUSION	FOR ROUND HOLES	FOR HEXAGON HOLES	FOR USE WITH SPIN/SPIN TOOLS	FOR USE WITH SPIN/PULL TOOLS	
AMERICAN STANDARD, INCH AND METRIC																											
IKF™	AMERINUT™	A-L	-	DL	CAL	AEL	TL	573	◆					◆				◆						◆	◆		
IKR™	AMERINUT™	A-K	-	DK	CAK	AEK	TK		◆						◆			◆						◆	◆		
IRL™	AMERINUT™	R-N	RIVNUT® (FLAT HEAD)	-	CA	AES	ST	571 / 572	◆							◆		◆						◆	◆	◆	
IRR™	AMERINUT™	A-O	-	9654/9655	CAO	AEO		574 / 575	◆						◆			◆						◆	◆		
IHF™	AMERINUT™	A-H	-	-	CAH	AEH	TH			◆				◆				◆							◆		
ISR™	SWAGENUT™	A-T	-	SUPERSERT® (FB08)	CFT	AET		578 / 579	◆									◆				◆	◆	◆	◆	◆	
ISN™	SWAGENUT™	A-W	-	-	CFW											◆			◆	◆	◆	◆	◆	◆	◆	◆	
IPN™	QUADRANUT™	A-R	PLUSNUT® (SXPN-P)	VERSANUT® (VN21)	CPN	AES-P							◆		◆			◆						◆	◆	◆	
IPB™	QUADRANUT™	A-R	PLUSNUT® (SXPN-PB)	VERSANUT® (VN21)	CPB	AES-P-PB							◆					◆						◆	◆	◆	
JK™	JK NUT™	-	-	-	-		JACKNUT®						◆		◆			◆						◆	◆	◆	
JN™	RUBBERNUT™	-	-	-	-		WELLNUT®		◆							◆		◆	◆					◆	◆		
EUROPEAN STANDARD, INCH AND METRIC																											
NKL™	EURONUT™	-	EZ (6211)	EUROSERT®**	CLM				◆								◆	◆						◆	◆	◆	
NKR™	EURONUT™	-	EZ (6212)	EUROSERT®**	CKM				◆						◆			◆						◆	◆	◆	
NKC™	EURONUT™	-	RIVNUT® (C'SUNK HEAD)	TSN®**	UFO RS				◆								◆	◆						◆	◆	◆	
NSL™	EURONUT™	-	-	TSN®**	UPO					◆							◆	◆						◆	◆	◆	
NHL™	EURONUT™	-	EZ (6221)	HEXSERT®**	CFM						◆				◆			◆						◆	◆	◆	
NHR™	EURONUT™	-	EZ (6222)	HEXSERT®**	CFSM						◆				◆			◆						◆	◆	◆	

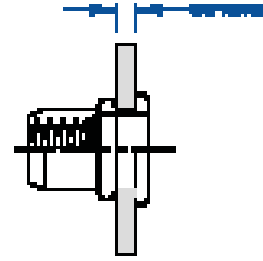
◆ STANDARD FEATURE ◆ APPLICATION / PRODUCT DEPENDENT

RIVETING TOOLS

RIVETKING®	AVK®	BOLHOFF®	AVDEL®	SHEREX®	ATLAS®	POP®	MARSON®
MANUAL HAND TOOLS							
RK-100	AA170					PNT110	39200
RK-21	AA480	BRK10		LHF	L6000	PNT310	325RN
TR-200	AA480	BRK10			L6000	PNT310	325RN
TR-208	AA510*	BRK10			L6000	PNT310	325RN
TR-212	AA510	BRK10			L6000	PNT310	325RN
TR-300							
RK-EX	AA181	C845		RNHT	HEXWRENC		
SPIN-SPIN PNEUMATIC TOOLS							
RK-1500SS-Q	ARO	C350		SSG-801	AE-801		
RK-500SS-Q	ARO			SSG-802	AE-802		
RK-280SS	ARO			SSG-803	AE-803		
SPIN-PULL PNEUDRAULIC TOOLS							
TR-1000	RNPT751	P330	74200	MS50		PNT800A	140SP
TR-2000		P330		MS100	AE-40	PNT1000	150SP
RK-50sp	RNPT751	P803					

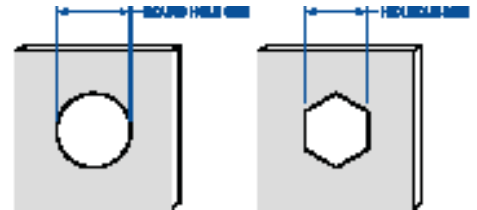
A. GRIP RANGE

Determining the length of the rivet is critical to insure the rivetnut will function as it was designed. If the rivetnut is applied over or under its intended grip range, it will not work properly. Be sure to accommodate for the “theoretical” grip versus the “actual” grip. While two pieces of sheet metal each are .055 thick, it doesn’t necessarily mean that the actual grip will be .110. Burrs or bends in the sheet metal could affect the theoretical grip.



B. HOLE SIZE & SHAPE

The Rivetnut will only work if it is within the prescribed hole size. Additionally, the design engineer should calculate the manufacturing tolerances of the hole to insure proper fit so that interference issues will not surface at a later time. Holes should be round for round body rivet nuts, and hex for hex body rivet nuts. Oval, Square or out-of-round shapes require a rivetnut to be custom produced.

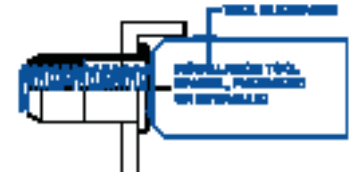


CLEARANCES

This is one of the most common oversights occurring in product designs.

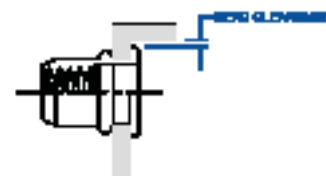
C. TOOL CLEARANCE

Sufficient clearances (above the hole) for which the rivet will go through so that riveting equipment can sufficiently access the hole to be riveted without interference. Be sure to select the riveting equipment in the design phase to prevent the need for customized and potentially costly tooling modifications.



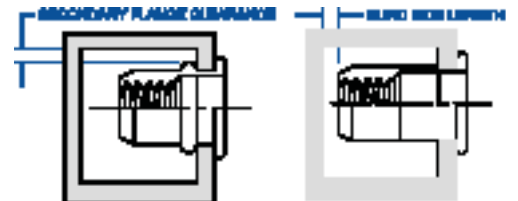
D. HEAD CLEARANCE

Axial access is required on the primary sheet to be riveted to allow for the flange to overlap the hole without interference. When designing the primary hole, make sure to calculate the head diameter and its tolerances and layout the foot print of the head on the hole. This is especially critical when riveting on brackets, near other hardware, or next to bends, folds, extrusions and/or cutouts on the sheet metal.



E. BLIND SIDE CLEARANCE

Since the blind side of the rivet nut is designed to form into a secondary flanged bearing surface, it is important to leave room for the flange to expand and to seat properly. Additionally, the collapsed height is shorter than the height before installation. Make sure the backside can accommodate the entire rivet before riveting. Testing should be done in the design phase to calculate what distances are needed.



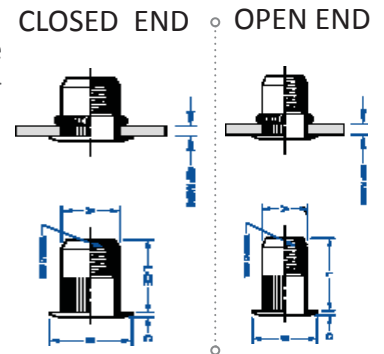
GALVANIC ACTION	CORROSION PROTECTION
<p>Galvanic action is seldom considered in design but can often be one of the hidden causes of failures. Galvanic corrosion is accelerated electromechanical corrosion produced when a noble metal is in contact with another less noble metal, both being in corroding medium (such as damp air). The less-noble metal corrodes at faster rate than normal while the noble metal acquires greater corrosion protection. For an example, an aluminum (less-noble metal) rivet in copper (more-noble metal) would cause aluminum to corrode at an accelerated rate while the copper would be virtually unattacked. Should you be in a position of having to join two dissimilar metals, be sure to consult the galvanic series table.</p>	<p>The corrosion factor of a particular rivet is dependent on the corrosivity of the base metal, the protection layer (plating), and the conversion layer (chromate). Being that the most cost effective material to produce is steel, most prefer to protect the steel with a plating such as Zinc and a chromate. Rivetnuts require a specialized plating & wax therefore it is highly suggested the manufacturer perform this task. Do not attempt to reprocess rivetnuts! For standard performance a SST rating (salt spray test) is about 48 hours until Red Rust. Other platings such as Zinc alloy’s (ZiNi, ZnFe, ZnTi) that are available which can extend the SST rating to 840 hours until red rust. Be sure the plating is tested by the manufacturer per ASTM B117 standard and that the manufacturers’ lab is proficiency tested semi-annually.</p>

IKF Series® Low Profile Head · Knurled Body

THINWALL AMERICAN STANDARD RIVETNUTS

IKF SERIES®

The RivetKing IKF Series is a thinwall Rivetnut with a low profile head. Its design is such that spin/spin tools can easily collapse and properly set the rivet nut. The low profile head is nearly flush and offers greater bearing surface compared with IKR series. Spin-Spin or Spin-Pull tools can be used to apply IKF series rivetnuts.



NORM.	THREAD SIZE	GRIP RANGE	PART CODE	OPEN END					CLOSED END					HOLE SIZE IN SHEET	
				L +/- .015" +/-0.38mm	B +/- .015	C Nom.	D Max.	M Ref.	L-CE +/- .015	B +/- .015	C Nom.	D Max.	K Min.		M Ref.
INCH	6-32 UNC	.020-.080	6C1IKF	.420	.390	.030	.265	.305	.740	.390	.030	.265	.43	.640	.266
		.080-.130	6C2IKF	.470	.390	.030	.265	.305	.740	.390	.030	.265	.43	.580	.266
	8-32 UNC	.020-.080	8C1IKF	.420	.390	.030	.265	.305	.740	.390	.030	.265	.43	.640	.266
		.080-.130	8C2IKF	.470	.390	.030	.265	.305	.740	.390	.030	.265	.43	.580	.266
	10-32 UNC	.020-.130	10F1IKF	.475	.415	.030	.296	.315	.990	.415	.030	.296	.58	.845	.297
		.130-.225	10F2IKF	.585	.415	.030	.296	.315	.990	.415	.030	.296	.58	.735	.297
	1/4-20 UNC	.027-.165	25C1IKF	.580	.500	.030	.390	.380	1.190	.500	.030	.390	.70	1.005	.391
		.165-.260	25C2IKF	.680	.500	.030	.390	.380	1.190	.500	.030	.390	.70	.905	.391
	5/16-18 UNC	.027-.150	31C1IKF	.690	.685	.035	.530	.470	1.390	.685	.035	.530	.82	1.175	.531
		.150-.312	31C2IKF	.805	.685	.035	.530	.425	1.390	.685	.035	.530	.82	1.025	.531
	3/8-16 UNC	.027-.150	37C1IKF	.690	.685	.035	.530	.470	1.390	.685	.035	.530	.83	1.175	.531
		.150-.312	37C2IKF	.805	.685	.035	.530	.425	1.390	.685	.035	.530	.83	1.025	.531
1/2-13 UNC	.063-.200	50C1IKF	1.150	.865	.047	.685	.850	1.960	.865	.047	.685	1.10	1.665	.688	
	.200-.350	50C2IKF	1.300	.865	.047	.685	.850	1.960	.865	.047	.685	1.10	1.515	.688	
	.350-.500	50C3IKF	1.450	.865	.047	.685	.850	1.960	.865	.047	.685	1.10	1.315	.688	
METRIC (MM)	M4 X 0.7	0.5-2.0	.40C1IKF	10.67	9.91	0.76	6.73	7.75	18.8	9.91	0.76	6.73	11.6	16.26	6.75
		2.0-3.3	.40C2IKF	11.94	9.91	0.76	6.73	7.75	18.8	9.91	0.76	6.73	11.6	14.73	6.75
	M5 X 0.8	0.5-3.3	.50C1IKF	12.07	10.54	0.76	7.52	8	25.15	10.54	0.76	7.52	15.6	21.46	7.6
		3.3-5.7	.50C2IKF	14.86	10.54	0.76	7.52	8	25.15	10.54	0.76	7.52	15.6	18.67	7.6
	M6 X 1.0	0.7-4.2	.60C1IKF	14.73	12.7	0.76	9.91	9.65	30.23	12.7	0.76	9.91	17.5	25.53	10
		4.2-6.6	.60C2IKF	17.27	12.7	0.76	9.91	9.65	30.23	12.7	0.76	9.91	17.5	22.99	10
	M8 X 1.25	0.7-3.8	.80C1IKF	17.53	17.4	0.89	13.46	11.94	35.31	17.4	0.89	13.46	20.2	29.85	13.5
		3.8-7.9	.80C2IKF	20.45	17.4	0.89	13.46	10.8	35.31	17.4	0.89	13.46	20.2	26.04	13.5
	M10 X 1.5	0.7-3.8	.100C1IKF	17.53	17.4	0.89	13.46	11.94	35.31	17.4	0.89	13.46	20.8	29.85	13.5
		3.8-7.9	.100C2IKF	20.45	17.4	0.89	13.46	10.8	35.31	17.4	0.89	13.46	20.8	26.04	13.5
	M12 X 1.75	1.6-5.1	.120C1IKF	29.21	21.97	1.19	17.4	21.59	49.78	21.97	1.19	17.4	17.94	42.29	17.47
		5.1-8.9	.120C2IKF	33.02	21.97	1.19	17.4	21.59	49.78	21.97	1.19	17.4	27.94	38.48	17.47

****LONGER GRIP RANGES AND CLOSED END PARTS ARE AVAILABLE UPON REQUEST****

THE PART NUMBER IS COMPLETE BY ADDING THE MATERIAL AND FINISH CODES AS A SUFFIX TO THE PART CODE:

MATERIAL/FINISH CODES:
 SY = Steel, Zinc Yellow ROHS \mp
 SZ = Steel, Zinc Clear ROHS
 SC = Steel, Cad Yellow Plated
 AP = Aluminum, Plain \mp
 3P = 18-8 Stainless Steel, Plain \mp

EXAMPLE:
 Part Code 6C1IKF in Steel,
 Zinc Yellow Plating is... 6C1IKFSY
 \mp Indicates stocked configurations

IKR Series® Reduced Head · Knurled Body

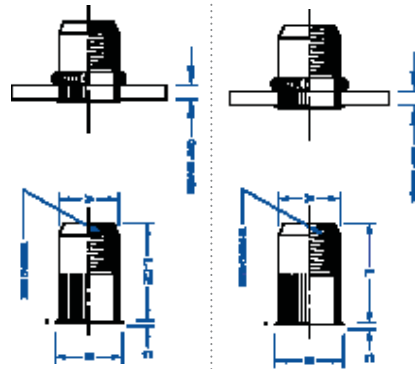
THINWALL AMERICAN STANDARD RIVETNUTS

IKR SERIES®

The RivetKing IKR Series is a thinwall Rivetnut with a reduced head. Its design is such that spin/spin tools can easily collapse and properly set the rivet nut. The reduced head provides for a completely flush installation in the sheet metal. Spin-Spin or Spin-Pull tools can be used to apply IKF series rivetnuts.



CLOSE END OPEN END



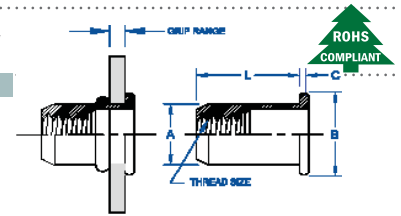
NORM.	THREAD SIZE	GRIP RANGE	PART CODE	OPEN END					CLOSED END					HOLE SIZE IN SHEET +0.006-000	
				A +/- .015	B +/- .015	C Nom.	D Max.	M Ref.	L +/- .015	B +/- .015	C Nom.	D Max.	K Min.		M Ref.
INCH	6-32 UNC	.020-.080	6C1IKR	.420	.310	.019	.265	.305	.740	.310	.019	.265	.43	.640	.266
		.080-.130	6C2IKR	.470	.310	.019	.265	.305	.740	.310	.019	.265	.43	.580	.266
	8-32 UNC	.020-.080	8C1IKR	.420	.310	.019	.265	.305	.740	.310	.019	.265	.43	.640	.266
		.080-.130	8C2IKR	.470	.310	.019	.265	.305	.740	.310	.019	.265	.43	.580	.266
	10-32 UNC	.020-.130	10F1IKR	.475	.340	.019	.296	.315	.990	.340	.019	.296	.58	.845	.297
		.130-.225	10F2IKR	.585	.340	.019	.296	.315	.990	.340	.019	.296	.58	.735	.297
	1/4-20 UNC	.027-.165	25C1IKR	.580	.455	.022	.390	.380	1.190	.455	.022	.390	.70	1.005	.391
		.165-.260	25C2IKR	.680	.455	.022	.390	.380	1.190	.455	.022	.390	.70	.905	.391
	5/16-18 UNC	.027-.150	31C1IKR	.690	.595	.022	.530	.470	1.390	.595	.022	.530	.82	1.175	.531
		.150-.312	31C2IKR	.805	.595	.022	.530	.425	1.390	.595	.022	.530	.82	1.025	.531
	3/8-16 UNC	.027-.150	37C1IKR	.690	.595	.022	.530	.470	1.390	.595	.022	.530	.83	1.175	.531
		.150-.312	37C2IKR	.805	.595	.022	.530	.425	1.390	.595	.022	.530	.83	1.025	.531
				+/- 0.38	+/- 0.38				+/- 0.38	+/- 0.38					+0.15
METRIC (MM)	M4 X 0.7	0.5-2.0	.40C1IKR	10.67	7.87	0.48	6.73	7.75	18.8	7.78	0.48	6.73	11.6	16.26	6.75
		2.0-3.3	.40C2IKR	11.94	7.87	0.48	6.73	7.75	18.8	7.87	0.48	6.73	11.6	14.73	6.75
	M5 X 0.8	0.5-3.3	.50C1IKR	12.07	7.64	0.48	7.52	8.00	25.15	8.64	0.48	7.52	15.6	21.46	7.60
		3.3-5.7	.50C2IKR	14.86	8.64	0.48	7.52	8.00	25.15	8.64	0.48	7.52	15.6	18.67	7.60
	M6 X 1.0	0.7-4.2	.60C1IKR	14.73	11.56	0.55	9.91	9.65	30.23	11.56	0.55	9.91	17.5	25.53	10.00
		4.2-6.6	.60C2IKR	17.27	11.56	0.55	9.91	9.65	30.23	11.56	0.55	9.91	17.5	22.99	10.00
	M8 X 1.25	0.7-3.8	.80C1IKR	17.53	15.11	0.55	13.46	11.94	35.31	15.11	0.55	13.46	20.2	29.85	13.50
		3.8-7.9	.80C2IKR	20.45	15.11	0.55	13.46	10.80	35.31	15.11	0.55	13.46	20.2	26.04	13.50
	M10 X 1.5	0.7-3.8	.100C1IKR	17.53	15.11	0.55	13.46	11.94	35.31	15.11	0.55	13.46	20.8	29.85	13.50
		3.8-7.9	.100C2IKR	20.45	15.11	0.55	13.46	10.80	35.31	15.11	0.55	13.46	20.8	26.04	13.50

****LONGER GRIP RANGES AND CLOSED END PARTS ARE AVAILABLE UPON REQUEST****



IRL Series™ Large Head · Heavy Duty · Smooth Body

THICKWALL AMERICAN STANDARD RIVETNUTS • FOR HEAVY DUTY APPLICATIONS



IRL SERIES®

The robust IRL series offers higher pullout resistance and increased endurance of the joint and assembly. Spin-Pull tools are NOT recommended for installation of IRL series rivetnuts.

INCH

PART CODE	THREAD SIZE)	GRIP CODE	GRIP RANGE	LENGTH +/-0.015	HEAD DIA +/-0.015	HEAD HEIGHT NOMINAL	BODY DIA. +.000/-0.004	HOLE SIZE +.003/-0.000
4C1IRL	4-40 UNC	#1	.010 - .060	.345	.270	.025	.155	.155
4C2IRL	4-40 UNC	#2	.060 - .085	.370	.270	.025	.155	.155
4C3IRL	4-40 UNC	#3	.085 - .110	.400	.270	.025	.155	.155
6C1IRL	6-32 UNC	#1	.010 - .075	.438	.325	.032	.189	.189
6C2IRL	6-32 UNC	#2	.075 - .120	.500	.325	.032	.189	.189
6C3IRL	6-32 UNC	#3	.120 - .160	.500	.325	.032	.189	.189
8C1IRL	8-32 UNC	#1	.010 - .075	.438	.357	.032	.221	.221
8C2IRL	8-32 UNC	#2	.075 - .120	.500	.357	.032	.221	.221
8C3IRL	8-32 UNC	#3	.120 - .160	.500	.357	.032	.221	.221
10C1IRL	10-24 UNC	#1	.010 - .080	.531	.406	.038	.250	.250
10C2IRL	10-24 UNC	#2	.080 - .130	.594	.406	.038	.250	.250
10C3IRL	10-24 UNC	#3	.130 - .180	.641	.406	.038	.250	.250
10F1IRL	10-32 UNF	#1	.010 - .080	.531	.406	.038	.250	.250
10F2IRL	10-32 UNF	#2	.080 - .130	.594	.406	.038	.250	.250
10F3IRL	10-32 UNF	#3	.130 - .180	.641	.406	.038	.250	.250
25C1IRL	1/4-20 UNC	#1	.020 - .080	.625	.475	.058	.332	.332
25C2IRL	1/4-20 UNC	#2	.080 - .140	.687	.475	.058	.332	.332
25C3IRL	1/4-20 UNC	#3	.140 - .200	.750	.475	.058	.332	.332
31C1IRL	5/16-18 UNC	#1	.030 - .125	.750	.665	.062	.413	.413
31C2IRL	5/16-18 UNC	#2	.125 - .200	.875	.665	.062	.413	.413
31C3IRL	5/16-18 UNC	#3	.200 - .275	.937	.665	.062	.413	.413
37C1IRL	3/8-16 UNC	#1	.030 - .125	.844	.781	.088	.490	.490
37C2IRL	3/8-16 UNC	#2	.125 - .200	.938	.781	.088	.490	.490
37C3IRL	3/8-16 UNC	#3	.200 - .275	1.031	.781	.088	.490	.490
50C1IRL	1/2-13 UNC	#1	.050 - .150	.906	.906	.085	.625	.625
50C2IRL	1/2-13 UNC	#2	.150 - .250	1.031	.906	.085	.625	.625
50C3IRL	1/2-13 UNC	#3	.250 - .350	1.141	.906	.085	.625	.625

METRIC

(MM)

.30C1IRL	M3 x 0,5 ISO	#1	0,25 - 1,00	8,00	6,68	0,63	3,93	3,94
.30C2IRL	M3 x 0,5 ISO	#2	1,00 - 1,75	8,75	6,68	0,63	3,93	3,94
.30C3IRL	M3 x 0,5 ISO	#3	1,75 - 2,50	9,50	6,68	0,63	3,93	3,94
.40C1IRL	M4 x 0,7 ISO	#1	0,25 - 2,00	11,00	9,01	0,81	5,61	5,60
.40C2IRL	M4 x 0,7 ISO	#2	2,00 - 3,00	12,00	9,01	0,81	5,61	5,60
.40C3IRL	M4 x 0,7 ISO	#3	3,00 - 4,00	13,00	9,01	0,81	5,61	5,60
.50C1IRL	M5 x 0,8 ISO	#1	0,25 - 2,00	14,50	11,17	1,22	7,13	7,20
.50C2IRL	M5 x 0,8 ISO	#2	2,00 - 3,50	16,00	11,17	1,22	7,13	7,20
.50C3IRL	M5 x 0,8 ISO	#3	3,50 - 5,00	17,50	11,17	1,22	7,13	7,20
.60C1IRL	M6 x 1,0 ISO	#1	0,75 - 2,00	15,50	13,43	1,47	8,43	8,50
.60C2IRL	M6 x 1,0 ISO	#2	2,00 - 3,50	17,00	13,43	1,47	8,43	8,50
.60C3IRL	M6 x 1,0 ISO	#3	3,50 - 5,00	18,50	13,43	1,47	8,43	8,50
.80C1IRL	M8 x 1,25 ISO	#1	1,00 - 3,00	18,00	16,65	1,57	10,48	10,50
.80C2IRL	M8 x 1,25 ISO	#2	3,00 - 5,00	20,00	16,65	1,57	10,48	10,50
.80C3IRL	M8 x 1,25 ISO	#3	5,00 - 7,00	22,00	16,65	1,57	10,48	10,50
.100C1IRL	M10 x 1,5 ISO	#1	1,00 - 3,00	20,00	19,50	2,23	12,44	12,50
.100C2IRL	M10 x 1,5 ISO	#2	3,00 - 5,50	22,50	19,50	2,23	12,44	12,50
.100C3IRL	M10 x 1,5 ISO	#3	5,50 - 8,00	25,00	19,50	2,23	12,44	12,50
.120C1IRL	M12 x 1,75 ISO	#1	1,00 - 3,00	24,00	22,79	2,23	15,46	15,50
.120C2IRL	M12 x 1,75 ISO	#2	3,00 - 5,50	26,50	22,79	2,23	15,46	15,50
.120C3IRL	M12 x 1,75 ISO	#3	5,50 - 8,00	29,00	22,79	2,23	15,46	15,50

THE PART NUMBER IS COMPLETE BY ADDING THE MATERIAL AND FINISH CODES AS A SUFFIX TO THE PART CODE:

MATERIAL/FINISH CODES: SY = Steel, Zinc Yellow ROHS †
 SZ = Steel, Zinc Clear ROHS
 SC = Steel, Cad Yellow Plated
 AP = Aluminum, Plain †
 3P = 18-8 Stainless Steel, Plain †

EXAMPLE:
 Part Code 6C1IRL in Steel,
 Zinc Yellow Plating is... 6C1IRLSZ

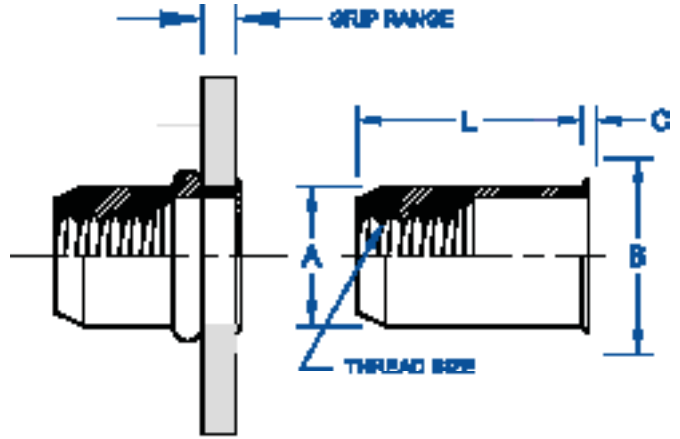
† Indicates stocked configurations

IRR Series™ Reduced Head · Smooth Body

THINWALL AMERICAN STANDARD RIVET NUTS • FOR STANDARD HOLE SIZES

IRR SERIES®

The RivetKing IRR Series is a thinwall insert that has been designed specifically for convenience. Often the holes of hardware are pre-drilled or pre-punched to a standard hole size. This may cause difficulties with traditional rivetnuts which require an off-standard hole diameter. The IRR series have been produced to fit in common hole sizes that may be found in pre-designed hardware and assemblies.



INCH

PART NUMBER	THREAD SIZE (INCH)	GRIP RANGE	LENGTH +/- .015	HEAD DIA +/- .010	HEAD HEIGHT +/- .003	BODY DIA. MAX.	HOLE SIZE +.006/- .000
6C1IRR	6-32 UNC	.020-.080	.385	.295	.018	.249	.250
8C1IRR	8-32 UNC	.020-.080	.385	.295	.018	.249	.250
10C1IRR	10-24 UNC	.020-.130	.440	.320	.020	.280	.281
10F1IRR	10-32 UNC	.020-.130	.440	.320	.020	.280	.281
25C1IRR	1/4-20 UNC	.030-.165	.580	.425	.022	.374	.375
25F1IRR	1/4-28 UNF	.030-.165	.580	.425	.022	.374	.375
31C1IRR	5/16-18 UNC	.040-.200	.690	.560	.022	.499	.500
31F1IRR	5/16-24 UNF	.040-.200	.690	.560	.022	.499	.500
37C1IRR	3/8-16 UNC	.040-.200	.690	.560	.022	.499	.500
37F1IRR	3/8-24 UNF	.040-.200	.690	.560	.022	.499	.500

METRIC

(MM)

PART NUMBER	THREAD SIZE (METRIC)	GRIP RANGE	LENGTH +/- .4	HEAD DIA +/- .25	HEAD HEIGHT +/- .1	BODY DIA. MAX.	HOLE SIZE +.05/-0
.30C1IRR	M3	0.50 - 1.50	8.70	5.40	0.30	4.92	5.10
.40C1IRR	M4	0.50 - 2.00	10.40	6.70	0.30	6.30	6.40
.50C1IRR	M5	0.50 - 3.00	11.50	7.90	0.40	7.10	7.20
.60C1IRR	M6	0.70 - 3.00	14.50	10.20	0.40	9.50	9.60
.80C1IRR	M8	0.80 - 4.50	16.00	11.30	0.40	10.50	10.60

THE PART NUMBER IS COMPLETE BY ADDING THE MATERIAL AND FINISH CODES AS A SUFFIX TO THE PART CODE:

MATERIAL/FINISH CODES: SY = Steel, Zinc Yellow ROHS †
 SZ = Steel, Zinc Clear ROHS
 SC = Steel, Cad Yellow Plated
 AP = Aluminum, Plain †
 3P = 18-8 Stainless Steel, Plain †

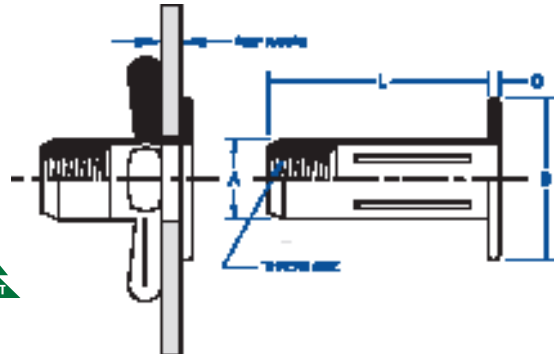
EXAMPLE:
 Part Code 6C1IRL in Steel,
 Zinc Yellow Plating is... 6C1IRLSZ

† Indicates stocked configurations

****LONGER GRIP RANGES AND CLOSED END PARTS ARE AVAILABLE UPON REQUEST****

IPB & IPN SERIES

The RivetKing IPB and IPN Series Rivetnuts do what traditional rivet nuts cannot. This series is designed for soft materials such as plastics, fiberglass and thin sheet metal where increased pullout resistance is required. The fastener performance is dictated by the four folding tines that are extended during the riveting process. The result is an upset of metal that is nearly three times the diameter of the hole. This series is offered in both pre-bulbed & straight shank versions. The pre-bulbed version is designed to work with spin-spin tools, while the straight shank version is designed to work with spin-pull tools only.



IPN SERIES - STRAIGHT SHANK



IPB SERIES - PRE-BULBED



INCH	PART CODE (PRE-BULBED)	PART CODE (STRAIGHT SHANK)	THREAD SIZE (INCH)	GRIP CODE	GRIP RANGE	LENGTH MAX.	HEAD DIAMETER MAX.	HEAD HEIGHT +/- .005	BODY DIAMETER MAX.	HOLE SIZE +.006/- .000
	10C1IPB	10C1IPN*	10-24 UNC	#1	.020 - .175	.843	.510	.038	.329 (.272)*	.336 (.273)*
	10C2IPB	10C2IPN*	10-24 UNC	#2	.175 - .320	.936	.510	.038	.329 (.272)*	.336 (.273)*
	10F1IPB	10F1IPN*	10-32 UNF	#1	.020 - .175	.843	.510	.038	.329 (.272)*	.336 (.273)*
	10F2IPB	10F2IPN*	10-32 UNF	#2	.175 - .320	.936	.510	.038	.329 (.272)*	.336 (.273)*
	25C1IPB	25C1IPN*	1/4-20 UNC	#1	.020 - .280	1.015	.645	.059	.382 (.346)*	.390 (.347)*
	25C2IPB	25C2IPN*	1/4-20 UNC	#2	.280 - .500	1.249	.645	.059	.382 (.346)*	.390 (.347)*
	31C1IPB	31C1IPN*	5/16-18 UNC	#1	.020 - .280	1.156	.770	.062	.495 (.437)*	.500 (.438)*
	31C2IPB	31C2IPN*	5/16-18 UNC	#2	.280 - .500	1.390	.770	.062	.495 (.437)*	.500 (.438)*

METRIC (MM)	PART CODE (PRE-BULBED)	PART CODE (STRAIGHT SHANK)	THREAD SIZE (INCH)	GRIP CODE	GRIP RANGE	LENGTH MAX.	HEAD DIAMETER MAX.	HEAD HEIGHT +/- 0.13	BODY DIAMETER MAX.	HOLE SIZE +0.15/- .000
	.50C1IPB	.50C1IPN*	M5	#1	0.50 - 4.45	21.41	12.95	0.96	8.35 (7.47)*	8.55 (7.48)*
	.50C2IPB	.50C2IPN*	M5	#2	4.45 - 8.10	24.18	12.95	0.96	8.35 (7.47)*	8.55 (7.48)*
	.60C1IPB	.60C1IPN*	M6	#1	0.50 - 7.10	25.78	16.38	1.50	9.70 (8.79)*	10.00 (8.80)*
	.60C2IPB	.60C2IPN*	M6	#2	7.10 - 12.70	31.70	16.38	1.50	9.70 (8.79)*	10.00 (8.80)*
	.80C1IPB	.80C1IPN*	M8	#1	0.50 - 7.10	29.33	19.65	1.57	12.57 (11.10)*	12.70 (11.11)*
.80C2IPB	.80C2IPN*	M8	#2	7.10 - 12.70	35.28	19.65	1.57	12.57 (11.10)*	12.70 (11.11)*	

****LONGER GRIP RANGES AND CLOSED END PARTS ARE AVAILABLE UPON REQUEST****

THE PART NUMBER IS COMPLETE BY ADDING THE MATERIAL AND FINISH CODES AS A SUFFIX TO THE PART CODE:

MATERIAL/FINISH CODES: SY = STEEL, ZINC YELLOW ROHS †
 SZ = STEEL, ZINC CLEAR ROHS
 SC = STEEL, CAD YELLOW PLATED
 SZN = STEEL, ZINC NICKEL 800 HOURS

EXAMPLE:
 Part Code 6C1IPB in Steel,
 Zinc Yellow Plating is... 6C1IPBSY

† Indicates stocked configurations

JK NUT

The RivetKing JK Series, JK Nut is a low cost alternative to IPB Series in non-load bearing applications. Ideal applications for JK Nuts are when they can be applied to paperboard, cardboard, or thin plastics. For weather resistance, the JK nuts can be coated in vinyl in any color.



OVERALL LENGTH

INCH	PART CODE	THREAD SIZE (INCH)	GRIP CODE	GRIP RANGE	LENGTH +.040/- .020	HEAD DIAMETER +/- 0.016	HEAD HEIGHT REF +/- 0.012	BODY DIAMETER MAX	HOLE SIZE
	JK-0401	6-32 UNC	#1	0 - 0.197	0.661	0.488	0.063	0.335	0.315
	JK-0402	6-32 UNC	#2	0.197 - 0.394	0.866	0.488	0.063	0.035	0.315
	JK-0501	10-24 UNC	#1	0 - 0.197	0.724	0.551	0.063	0.413	0.394
	JK-0502	10-24 UNC	#2	0.197 - 0.394	0.913	0.551	0.063	0.413	0.394
	JK-0601	1/4-20 UNC	#1	0 - 0.197	0.732	0.630	0.063	0.492	0.472
	JK-0602	1/4-20 UNC	#2	0.197 - 0.394	0.902	0.630	0.063	0.492	0.472

METRIC (MM)	PART CODE	THREAD SIZE (INCH)	GRIP CODE	GRIP RANGE	LENGTH + 1.0 / - .5	HEAD DIAMETER +/- 0.4	HEAD HEIGHT +/- 0.3	BODY DIAMETER MAX	HOLE SIZE
	JK-0401M	M4	#1	0 - 5.0	16.80	12.40	1.60	8.50	8.00
	JK-0402M	M4	#2	5.0 - 10.0	22.00	12.40	1.60	8.50	8.00
	JK-0501M	M5	#1	0 - 5.0	18.40	14.00	1.60	10.50	10.00
	JK-0502M	M5	#2	5.0 - 10.0	23.20	14.00	1.60	10.50	10.00
	JK-0601M	M6	#1	0 - 5.0	18.60	16.00	1.60	12.50	12.00
	JK-0602M	M6	#2	5.0 - 10.0	22.90	16.00	1.60	12.50	12.00

THE PART NUMBER IS COMPLETE BY ADDING THE MATERIAL AND FINISH CODES AS A SUFFIX TO THE PART CODE:

MATERIAL/FINISH CODES: NO SUFFIX = Steel, Zinc Clear ROHS ♣
 BP = Brass, Plain

EXAMPLE:
 Part Code JK-0401 in Steel,
 Zinc Clear Plating is... JK-0401

♣ Indicates stocked configurations

RUBBER NUT

The RivetKing JF Series Rubber Nut are used as a removable rivetnut. Installation is performed with the bolt or screw itself. To remove the rivet nut, just remove the bolt or screw. Rubnuts can also be used as vibration isolators to prevent the rattle and pullout. Typical applications are for the installation of mirrors or other hardware in utility trucks, compressors, and engines.



INCH	PART CODE	THREAD SIZE (INCH)	GRIP CODE	GRIP RANGE	LENGTH REF.	HEAD DIAMETER REF.	HEAD HEIGHT REF.	BODY DIAMETER REF.	HOLE SIZE +.002/- .000
	JF-3100	6-32 UNC	#1	.015 - .156	.499	.433	.050	.311	.312
	JF-3250	6-32 UNC	#2	.375 - .511	.981	.551	.035	.240	.250
	JF-4100	8-32 UNC	#1	.015 - .156	.496	.433	.050	.311	.312
	JF-4140	8-32 UNC	#2	.015 - .172	.560	.750	.060	.311	.312
	JF-5150	10-32 UNF	#1	.015 - .192	.559	.500	.036	.374	.377
	JF-5170	10-32 UNF	#2	.035 - .232	.669	.562	.040	.374	.377
	JF-5190	10-32 UNF	#3	.030 - .227	.824	.750	.187	.374	.377
	JF-5250	10-32 UNF	#1	.300 - .600	1.04	.551	.051	.374	.503
	JF-6200	1/4-20 UNC	#2	.031 - .187	.831	.750	.187	.500	.503
	JF-6250	1/4-20 UNC	#3	.250 - .457	1.051	.641	.078	.500	.503
	JF-8200	5/16-18 UNC	#1	.016 - .156	.721	.846	.126	.625	.625
	JF-8250	5/16-18 UNC	#2	.156 - .375	1.100	.846	.225	.625	.625
JF-1027	3/8-16 UNC	#2	.015 - .437	1.062	1.160	.187	.750	.753	

METRIC (MM)	PART CODE	THREAD SIZE (INCH)	GRIP CODE	GRIP RANGE	LENGTH REF.	HEAD DIAMETER REF.	HEAD HEIGHT REF.	BODY DIAMETER REF.	HOLE SIZE +.002/- .000
	JF-3100M	M3-0.5	#1	0.40 - 4.00	12.60	11.00	1.20	7.90	7.90
	JF-3250M	M3-0.5	#2	9.50 - 15.40	24.90	14.00	0.90	6.10	6.10
	JF-4100M	M4-0.7	#1	0.40 - 4.00	12.60	11.00	1.20	7.90	7.90
	JF-4140M	M4-0.7	#2	0.40 - 4.40	14.20	19.05	1.50	7.90	7.90
	JF-5150M	M5-0.8	#1	0.40 - 4.90	14.10	12.70	0.90	9.60	9.60
	JF-5170M	M5-0.8	#2	0.85 - 5.90	17.00	14.00	1.00	9.60	9.60
	JF-5190M	M5-0.8	#3	0.80 - 5.80	20.95	18.95	4.40	9.60	9.60
	JF-5250M	M5-0.8	#1	7.90 - 15.00	26.50	14.00	1.30	9.60	9.60
	JF-6200M	M6-1.0	#2	0.80 - 4.70	21.10	19.05	4.75	12.70	12.70
	JF-6250M	M6-1.0	#3	6.40 - 11.50	26.70	16.30	2.00	12.70	12.70
	JF-8200M	M8-1.25	#1	0.40 - 4.00	18.30	21.50	3.20	15.90	15.90
	JF-8250M	M8-1.25	#2	3.95 - 9.50	27.90	21.50	5.70	15.90	15.90
JF-1027M	M10-1.5	#2	0.38 - 11.10	27.00	29.50	4.75	19.05	19.05	

****LONGER GRIP RANGES AND CLOSED END PARTS ARE AVAILABLE UPON REQUEST****

THE PART NUMBER IS COMPLETE BY ADDING THE MATERIAL AND FINISH CODES AS A SUFFIX TO THE PART CODE:

MATERIAL/FINISH CODES: NO SUFFIX = Brass/EPDM F
 BE = Brass/EPDM
 3N = Stainless/Neoprene
 3E = Stainless/EPDM

EXAMPLE:
 Part Code JF-3100 in
 Brass/Neoprene is... JK-0401

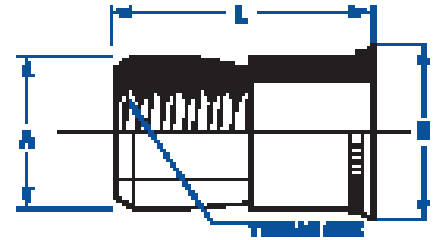
F Indicates stocked configurations

ISR & ISN Swaging Series™

AMERICAN STANDARD RIVETNUTS • FOR BLIND HOLES OR LARGE GRIP RANGE

ISR SWAGING SERIES™ | STRAIGHT KNURL - FOR METALS

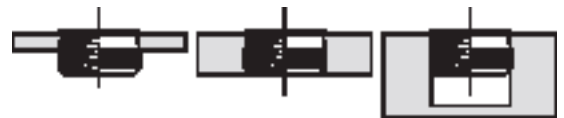
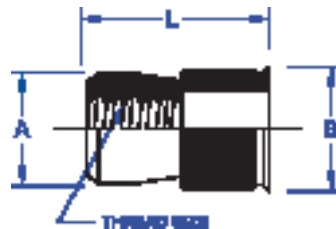
The RivetKing ISN/ISR Series has the grip range that most rivetnuts lack. It has an unlimited maximum grip range which will work in all thickness above .030 (ISR Series) and .062 (ISN Series). The ISR series is designed for use in any metal, while the ISN series is designed for use in any material softer than itself such as plastics, fiberglass, and plywood.



INCH	PART CODE	THREAD SIZE	HEAD DIA +/- .005	LENGTH +/- .015	BODY DIA. MAX.	RECOMMENDED HOLE SIZE			
						MATERIAL THICKNESS .030-.090	MATERIAL THICKNESS .091-.124	MATERIAL THICKNESS .125-.186	MATERIAL THICKNESS .187- OVER
	4C1ISR	4-40 UNC	0.211	0.370	0.1875	0.1875	0.1935	0.1935	0.1960
	6C1ISR	6-32 UNC	0.240	0.370	0.2185	0.2188	0.2210	0.2280	0.2280
	8C1ISR	8-32 UNC	0.269	0.370	0.2495	0.2500	0.2570	0.2656	0.2656
	10C1ISR	10-24 UNC	0.306	0.370	0.2805	0.2812	0.2900	0.2900	0.2969
	10F1ISR	10-32 UNF	0.306	0.370	0.2805	0.2812	0.2900	0.2900	0.2969
	25C1ISR	1/4-20 UNC	0.400	0.515	0.3745	0.3750	0.3750	0.3860	0.3906
	31C1ISR	5/16-18 UNC	0.528	0.615	0.4995	0.5000	0.5000	0.5156	0.5156
	37C1ISR	3/8-16 UNC	0.588	0.745	0.5165	0.5625	0.5625	0.5781	0.5781
	50C1ISR	1/2-13 UNC	0.800	0.935	0.7485	0.7500	0.7656	0.7810	0.7970

****METRIC SIZES ARE AVAILABLE ON REQUEST****

ISN SWAGING SERIES™ | DIAMOND KNURL - FOR PLASTICS / SOFT MATERIALS



INCH	PART CODE	THREAD SIZE	HEAD DIA +/- .005	LENGTH +/- .015	BODY DIA MAX.	HOLE SIZE +.005/- .000	MATERIAL THICKNESS
	8C1ISN	8-32 UNC	0.285	0.370	0.264	0.266	.062 MIN.
	10C1ISN	10-24 UNC	0.320	0.370	0.295	0.297	.062 MIN.
	10F1ISN	10-32 UNF	0.320	0.370	0.295	0.297	.062 MIN.
	25C1ISN	1/4-20 UNC	0.415	0.515	0.389	0.391	.062 MIN.
	31C1ISN	5/16-18 UNC	0.550	0.615	0.528	0.531	.062 MIN.
	37C1ISN	3/8-16 UNC	0.615	0.740	0.590	0.594	.062 MIN.

THE PART NUMBER IS COMPLETE BY ADDING THE MATERIAL AND FINISH CODES AS A SUFFIX TO THE PART CODE:

MATERIAL/FINISH CODES: SC1 = Steel, Cad Clear Plated
 SC2 = Steel, Cad Yellow Plated
 ST = Steel, Tin Plated ROHS
 BP = Brass, Plain Finish
 3P = 18-8 Stainless Steel, Plain

EXAMPLE:
 Part Code 6C1ISN in Steel,
 Tin ROHS Plating is... 6C1ISNST

****LONGER GRIP RANGES CLOSED END PARTS ARE AVAILABLE UPON REQUEST****
****METRIC SIZES ARE AVAILABLE ON REQUEST****

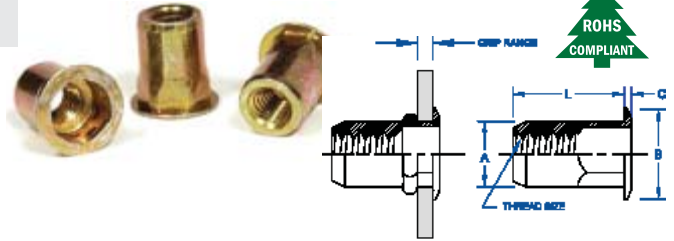


IHF Series™ Half Hex Body • Low Profile Head

THINWALL AMERICAN STANDARD RIVETNUTS • FOR USE WITH SPIN-SPIN TOOLS

IHF SERIES

The RivetKing IHF Series is a thinwall half hex insert for use in hexagon holes. The half hex thinwall rivetnut is designed for use with spin-spin tools. The torque to set is far less than the full hex heavy wall inserts. The low profile head is wide and thin and allows for a near flush installation. Spin-Spin or Spin-Pull tools can be used to set the IHF series.



INCH	PART CODE	THREAD SIZE (INCH)	GRIP CODE	GRIP RANGE	A +/- .015	ØB +/- .010 +/- .025*	C NOM.	D MAX.	HEX HOLE SIZE (ACROSS FLATS) +.004/- .000
	6C1IHF	6-32 UNC	#1	.020-.080	.385	.375	.027	.249	.250
	6C2IHF	6-32 UNC	#2	.080-.130	.435	.375	.027	.249	.250
	8C1IHF	8-32 UNC	#1	.020-.080	.385	.375	.027	.249	.250
	8C2IHF	8-32 UNC	#2	.080-.130	.435	.375	.027	.249	.250
	10C1IHF	10-24 UNC	#1	.020-.130	.435	.390	.027	.280	.281
	10C2IHF	10-24 UNC	#2	.130-.225	.535	.390	.027	.280	.281
	10F1IHF	10-32 UNF	#1	.020-.130	.435	.390	.027	.280	.281
	10F2IHF	10-32 UNF	#2	.130-.225	.535	.390	.027	.280	.281
	25C1IHF	1/4-20 UNC	#1	.027-.165	.585	.510	.030	.374	.375
	25C2IHF	1/4-20 UNC	#2	.165-.260	.685	.510	.030	.374	.375
	25F1IHF	1/4-28 UNF	#1	.027-.165	.585	.510	.030	.374	.375
	25F2IHF	1/4-28 UNF	#2	.165-.260	.685	.510	.030	.374	.375
	31C1IHF	5/16-18 UNC	#1	.027-.150	.685	.655*	.035	.499	.500
	31C2IHF	5/16-18 UNC	#2	.150-.312	.845	.655*	.035	.499	.500

METRIC (MM)	PART CODE	THREAD SIZE (MM)	GRIP CODE	GRIP RANGE	A ±0.38	ØB ±0.38	C NOM.	D MAX.	HEX HOLE SIZE (ACROSS FLATS) +.004/- .000
	6C1IHF	M4 x 0.7	#1	0.5 - 2	9.78	9.53	0.68	6.35	6.35
	6C2IHF	M4 x 0.7	#2	2 - 3.3	11.05	9.53	0.68	6.35	6.35
	8C1IHF	M4 x 0.8	#1	0.5 - 3.3	11.05	9.91	0.68	7.1	7.14
	8C2IHF	M4 x 0.8	#2	3.3 - 5.7	13.59	9.91	0.68	7.1	7.14
	10C1IHF	M4 x 1	#1	0.7 - 4.2	14.86	12.96	0.76	9.5	9.53
	10C2IHF	M4 x 1	#2	4.2 - 6.6	17.4	12.96	0.76	9.5	9.53
	10F1IHF	M4 x 1.25	#1	0.7 - 3.8	17.4	16.64	0.89	12.7	12.7
	10F2IHF	M4 x 1.25	#2	3.8 - 7.9	21.46	16.64	0.89	12.7	12.7
	25C1IHF	M4 x 1.5	#1	0.7 - 3.8	17.4	16.64	0.89	12.7	12.7
	25C2IHF	M4 x 1.5	#2	3.8 - 7.9	21.46	16.64	0.89	12.7	12.7
	25F1IHF	M4 x 1.75	#1	1.6 - 5.1	29.21	21.97	1.27	17.48	17.5
	25F2IHF	M4 x 1.75	#2	5.1 - 8.9	33.02	21.97	1.27	17.48	17.5

THE PART NUMBER IS COMPLETE BY ADDING THE MATERIAL AND FINISH CODES AS A SUFFIX TO THE PART CODE:

MATERIAL/FINISH CODES: SC1 = Steel, Cad Clear Plated
 SC2 = Steel, Cad Yellow Plated
 ST = Steel, Tin Plated ROHS
 BP = Brass, Plain Finish
 3P = 18-8 Stainless Steel, Plain

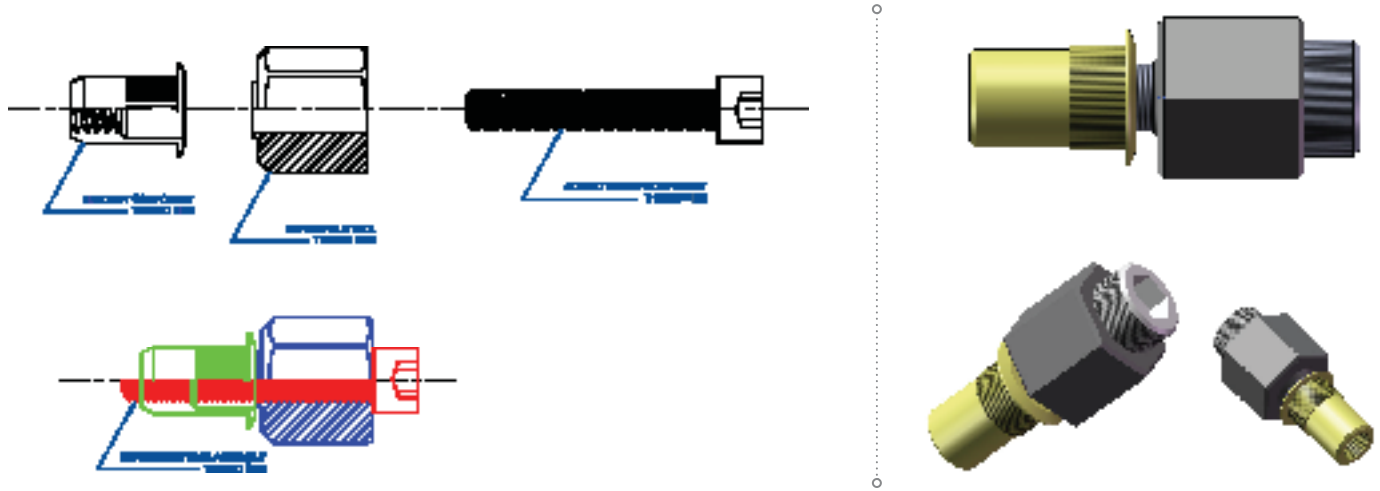
EXAMPLE:
 Part Code 6C1ISN in Steel,
 Tin ROHS Plating is... 6C1ISNST

****LONGER GRIP RANGES AND CLOSED END PARTS ARE AVAILABLE UPON REQUEST****

Expendable (Throw Away)

RIVET NUT INSTALLATION TOOL

IRL SERIES



	COMPLETE ASSEMBLY PART#	THREAD SIZE (INCH)	SCREW PART#	EXPENDABLE TOOL PART#	WRENCH SIZE	SOCKET SIZE
INCH	AA184-632	6-32 UNC	6C-KCS	AA184-3	9/16"	7/64"
	AA184-832	8-32 UNC	8C-KCS	AA184-4	9/16"	9/64"
	AA184-1024	10-24 UNC	10C-KCS	AA184-5	9/16"	5/32"
	AA184-1032	10-32 UNF	10F-KCS	AA184-5	9/16"	5/32"
	AA184-1420	1/4-20 UNC	25C-KCS	AA184-6	9/16"	3/16"
	AA184-51618	5/16-18 UNC	31C-KCS	AA184-8	9/16"	1/4"
	AA184-51624	5/16-24 UNF	31F-KCS	AA184-8	9/16"	1/4"
	AA184-3816	3/8-16 UNC	37C-KCS	AA184-10	9/16"	5/16"
	AA184-3824	3/8-24 UNF	37F-KCS	AA184-10	9/16"	5/16"
METRIC <small>(MM)</small>	AA184-M3	M3	.30C-KCS	AA184-3	9/16"	2.5MM
	AA184-M4	M4	.40C-KCS	AA184-4	9/16"	3.0MM
	AA184-M5	M5	.50C-KCS	AA184-5	9/16"	4.00MM
	AA184-M6	M6	.60C-KCS	AA184-6	9/16"	5.00MM
	AA184-M8	M8	.80C-KCS	AA184-8	9/16"	6.00MM
	AA184-M10	M10	.100C-LCS	AA184-10	9/16"	8.00MM

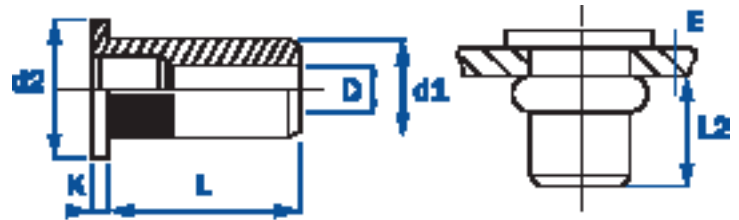
****LONGER GRIP RANGES AND CLOSED END PARTS ARE AVAILABLE UPON REQUEST****

NKL Series™ Knurled Body · Large Head

EUROPEAN STANDARD RIVETNUTS • HEAVYWALL RIVETNUTS

NKL SERIES

The RivetKing NKL Series is a heavywall European Style Rivetnut. This robust design upgrades the thickness of both the body and the head height. The robust IRL series offers higher pullout resistance and increased endurance of the joint and assembly. The NIK series has a large head and a knurled body which resist spin out. Spin-Pull tools are recommended for installation of NIK series rivetnuts.



INCH	PART CODE	THREAD SIZE (INCH)	GRIP CODE	GRIP RANGE	OVERALL LENGTH REF	HEAD DIA REF.	HEAD HEIGHT REF.	BODY DIA. REF.	HOLE SIZE +.000/-004
	6C1NKL	6-32 UNC	#1	.027 - .125	.445	.354	.032	.2335	.238
	8C1NKL	8-32 UNC	#1	.027 - .125	.445	.354	.032	.2335	.238
	8C2NKL	8-32 UNC	#2	.125 - .224	.551	.354	.032	.2335	.238
	10F1NKL	10-32 UNC	#1	.027 - .125	.543	.406	.038	.2715	.276
	10F2NKL	10-32 UNC	#2	.125 - .224	.650	.406	.038	.2715	.276
	25C1NKL	1/4-20 UNC	#1	.027 - .125	.594	.475	.057	.3315	.336
	25C2NKL	1/4-20 UNC	#2	.125 - .224	.701	.475	.057	.3315	.336
	31C1NKL	5/16-18 UNC	#1	.027 - .125	.744	.665	.062	.4125	.417
	31C2NKL	5/16-18 UNC	#2	.125 - .224	.850	.665	.062	.4125	.417
37C1NKL	3/8-16 UNC	#1	.030 - .140	.906	.781	.088	.4915	.496	
37C2NKL	3/8-16 UNC	#2	.140 - .240	1.012	.781	.088	.4915	.496	
50C1NKL	1/2-13 UNC	#1	.039 - .157	1.063	.905	.088	.6285	.634	

METRIC (MM)	PART CODE	THREAD SIZE (METRIC)	GRIP CODE	GRIP RANGE	LENGTH REF.	HEAD DIA REF.	HEAD HEIGHT REF.	BODY DIA. REF.	HOLE SIZE +.00/-01
	.30C1NKL	M3	#1	0.25 - 2.00	9.75	7.50	1.00	5.00	5.10
	.40C1NKL	M4	#1	0.25 - 3.00	9.50	9.00	1.00	6.00	6.10
	.40C2NKL	M4	#2	3.00 - 4.50	12.25	9.00	1.00	6.00	6.10
	.50C1NKL	M5	#1	0.25 - 3.00	12.00	10.00	1.00	6.90	7.10
	.50C2NKL	M5	#2	3.00 - 5.50	15.00	10.00	1.00	6.90	7.10
	.60C1NKL	M6	#1	0.50 - 3.00	14.50	13.00	1.50	8.90	9.10
	.60C2NKL	M6	#2	3.00 - 5.50	16.50	13.00	1.50	8.90	9.10
	.80C1NKL	M8	#1	0.50 - 3.00	16.50	16.00	1.50	10.90	11.10
	.80C2NKL	M8	#2	3.00 - 5.50	18.50	16.00	1.50	10.90	11.10
	.100C1NKL	M10	#1	0.50 - 3.50	19.50	19.00	2.00	13.00	13.10
	.100C2NKL	M10	#2	3.50 - 6.00	21.50	19.00	2.00	13.00	13.10
.120C1NKL	M12	#1	1.00 - 4.00	25.00	23.00	2.00	16.00	16.10	

****LONGER GRIP RANGES AND CLOSED END PARTS ARE AVAILABLE UPON REQUEST****

THE PART NUMBER IS COMPLETE BY ADDING THE MATERIAL AND FINISH CODES AS A SUFFIX TO THE PART CODE:

MATERIAL/FINISH CODES: SY = Steel, Zinc Yellow ROHS
 SZ = Steel, Zinc Clear ROHS †
 SC = Steel, Cad Yellow Plated
 SZN = Steel, Zinc Nickel 800 Hours
 BP = Brass, Plain Finish

EXAMPLE:
 Part Code 6C1NKL in Steel,
 Zinc Clear Plating is... 6C1NKLSZ

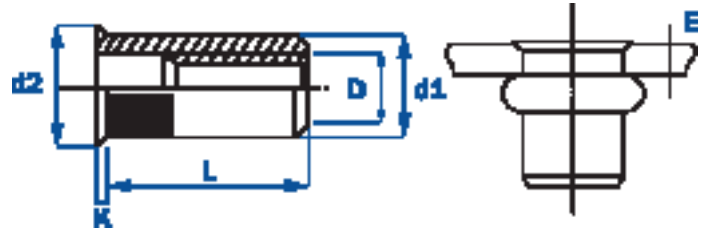
† Indicates stocked configurations

NKR Series™ Knurled Body · Reduced Head

EUROPEAN STANDARD RIVETNUTS • HEAVYWALL RIVETNUTS

NKR SERIES

The RivetKing NKR Series is a heavywall European Style Rivetnut. This robust design upgrades the thickness of both the body. The NKR series offers higher pullout resistance and increased endurance of the joint and assembly. The NKR series has a reduced head and a knurled body which resist spin out. Spin-Pull tools are recommended for installation of NIK series rivetnuts.



INCH

PART CODE	THREAD SIZE (INCH)	GRIP CODE	GRIP RANGE	OVERALL LENGTH REF	HEAD DIA REF.	HEAD HEIGHT REF.	BODY DIA. REF.	HOLE SIZE +.000/- .004
6C1NKR	6-32 UNC	#1	.027 - .125	.445	.261	.012	.2335	.238
8C1NKR	8-32 UNC	#1	.027 - .125	.445	.261	.012	.2335	.238
8C2NKR	8-32 UNC	#2	.125 - .224	.551	.261	.012	.2335	.238
10F1NKR	10-32 UNC	#1	.027 - .125	.543	.311	.016	.2715	.276
10F2NKR	10-32 UNC	#2	.125 - .224	.650	.311	.016	.2715	.276
25C1NKR	1/4-20 UNC	#1	.027 - .125	.594	.371	.016	.3315	.336
25C2NKR	1/4-20 UNC	#2	.125 - .224	.701	.371	.016	.3315	.336
31C1NKR	5/16-18 UNC	#1	.027 - .125	.744	.453	.016	.4125	.417
31C2NKR	5/16-18 UNC	#2	.125 - .224	.850	.453	.016	.4125	.417
37C1NKR	3/8-16 UNC	#1	.030 - .140	.906	.531	.020	.4915	.496
37C2NKR	3/8-16 UNC	#2	.140 - .240	1.012	.531	.020	.4915	.496
50C1NKR	1/2-13 UNC	#1	.039 - .157	1.063	.669	.024	.6285	.634

METRIC (MM)

PART CODE	THREAD SIZE (METRIC)	GRIP CODE	GRIP RANGE	LENGTH REF.	HEAD DIA REF.	HEAD HEIGHT REF.	BODY DIA. REF.	HOLE SIZE +.00/- .01
.30C1NKR	M3	#1	0.25 - 2.00	9.75	6.00	0.30	5.00	5.10
.40C1NKR	M4	#1	0.25 - 3.00	9.50	7.00	0.30	6.00	6.10
.40C2NKR	M4	#2	3.00 - 4.50	12.25	7.00	0.30	6.00	6.10
.50C1NKR	M5	#1	0.25 - 3.00	12.00	8.00	0.40	6.90	7.10
.50C2NKR	M5	#2	3.00 - 5.50	15.00	8.00	0.40	6.90	7.10
.60C1NKR	M6	#1	0.50 - 3.00	14.50	10.00	0.40	8.90	9.10
.60C2NKR	M6	#2	3.00 - 5.50	16.50	10.00	0.40	8.90	9.10
.80C1NKR	M8	#1	0.50 - 3.00	16.50	12.00	0.40	10.90	11.10
.80C2NKR	M8	#2	3.00 - 5.50	18.50	12.00	0.40	10.90	11.10
.100C1NKR	M10	#1	0.50 - 3.50	19.50	14.00	0.50	13.00	13.10
.100C2NKR	M10	#2	3.50 - 6.00	21.50	14.00	0.50	13.00	13.10
.120C1NKR	M12	#1	1.00 - 4.00	25.00	17.00	0.60	16.00	16.10

****LONGER GRIP RANGES AND CLOSED END PARTS ARE AVAILABLE UPON REQUEST****

THE PART NUMBER IS COMPLETE BY ADDING THE MATERIAL AND FINISH CODES AS A SUFFIX TO THE PART CODE:

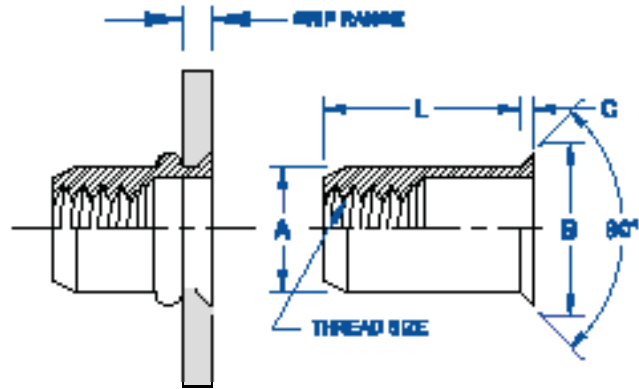
MATERIAL/FINISH CODES: SY = Steel, Zinc Yellow ROHS
 SZ = Steel, Zinc Clear ROHS †
 SC = Steel, Cad Yellow Plated
 SZN = Steel, Zinc Nickel 800 Hours
 BP = Brass, Plain Finish

EXAMPLE:
 Part Code 6C1NKR in Steel,
 Zinc Clear Plating is... 6C1NKR SZ

† Indicates stocked configurations

NKC SERIES

The RivetKing NKC Series is a heavywall/thickwall Rivetnut. This robust design upgrades the thickness of both the body and the head height. Additionally it features a thick countersunk head for high strength and flush installation. The robust NKC series offers higher pullout resistance and increased endurance of the joint and assembly. Spin-Pull tools are recommended for installation of NSL series rivetnuts.



METRIC (MM)	PART CODE	THREAD SIZE (METRIC)	GRIP CODE	GRIP RANGE	LENGTH REF.	HEAD DIA REF.	HEAD HEIGHT REF.	BODY DIA. REF.	HOLE SIZE +.003/-0.000
	.40C1NKC	M4	#1	1.00 - 3.00	9.50	9.00	1.00	6.00	6.10
	.50C1NKC	M5	#1	1.50 - 4.00	12.00	10.00	1.00	7.00	7.10
	.60C1NKC	M6	#1	1.50 - 4.00	14.50	13.00	1.50	9.00	9.10
	.80C1NKC	M8	#1	1.50 - 4.00	25.00	23.00	2.00	16.00	16.10

****LONGER GRIP RANGES AND CLOSED END PARTS ARE AVAILABLE UPON REQUEST****

THE PART NUMBER IS COMPLETE BY ADDING THE MATERIAL AND FINISH CODES AS A SUFFIX TO THE PART CODE:

MATERIAL/FINISH CODES: SY = Steel, Zinc Yellow ROHS
 SZ = Steel, Zinc Clear ROHS †
 SC = Steel, Cad Yellow Plated
 SZN = Steel, Zinc Nickel 800 Hours
 BP = Brass, Plain Finish

EXAMPLE:
 Part Code 6C1NKR in Steel,
 Zinc Clear Plating is... 6C1NKR SZ

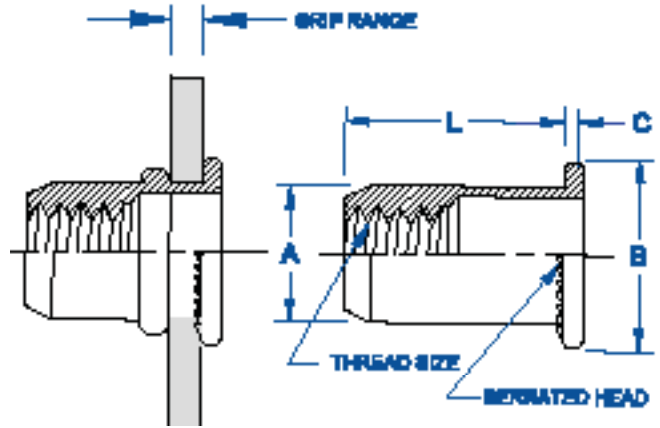
† Indicates stocked configurations

NSL Series™ Serrated Large Head · Smooth Body

EUROPEAN STANDARD RIVETNUTS • HEAVYWALL RIVETNUTS

NSL SERIES

The RivetKing NSL Series is a heavywall/thickwall Rivetnut. This robust design upgrades the thickness of both the body and the head height. Additionally it features a serrated head which reduces the possibility of spin out. The robust NSL series offers higher pullout resistance and increased endurance of the joint and assembly. Spin-Pull tools are recommended for installation of NSL series rivetnuts.



METRIC (MM)	PART CODE	THREAD SIZE (METRIC)	GRIP CODE	GRIP RANGE	LENGTH REF.	HEAD DIA REF.	HEAD HEIGHT REF.	BODY DIA. REF.	HOLE SIZE +.003/-.000
	.40C1NSL	M4	#1	0.25 - 3.00	9.50	9.00	1.00	6.00	6.10
	.40C2NSL	M4	#2	3.00 - 4.50	12.25	9.00	1.00	6.00	6.10
	.50C1NSL	M5	#1	0.25 - 3.00	12.00	10.00	1.00	7.00	7.10
	.50C2NSL	M5	#2	3.00 - 5.50	15.00	10.00	1.00	7.00	7.10
	.60C1NSL	M6	#1	0.50 - 3.00	14.50	13.00	1.50	9.00	9.10
	.60C2NSL	M6	#2	3.00 - 5.50	16.50	13.00	1.50	9.00	9.10
	.80C1NSL	M8	#1	0.50 - 3.00	16.50	16.00	1.50	11.00	11.10
	.80C2NSL	M8	#2	3.00 - 5.50	18.50	16.00	1.50	11.00	11.10
	.100C1NSL	M10	#1	1.00 - 3.50	17.50	16.00	1.70	12.00	12.10
.120C1NSL	M12	#1	1.00 - 4.00	25.00	23.00	2.00	16.00	16.10	

****LONGER GRIP RANGES AND CLOSED END PARTS ARE AVAILABLE UPON REQUEST****

THE PART NUMBER IS COMPLETE BY ADDING THE MATERIAL AND FINISH CODES AS A SUFFIX TO THE PART CODE:

MATERIAL/FINISH CODES: SY = Steel, Zinc Yellow ROHS
 SZ = Steel, Zinc Clear ROHS †
 SC = Steel, Cad Yellow Plated
 SZN = Steel, Zinc Nickel 800 Hours
 BP = Brass, Plain Finish

EXAMPLE:
 Part Code 6C1NKR in Steel,
 Zinc Clear Plating is... 6C1NKRZ

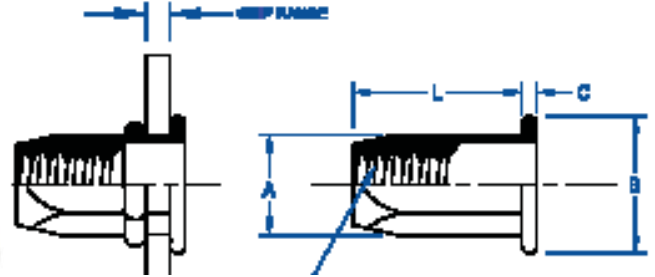
† Indicates stocked configurations

NHL Series™ Full Hex Body · Large Head

EUROPEAN STANDARD RIVETNUTS • HEAVYWALL RIVETNUTS

NHL SERIES

The RivetKing NHL Series is a heavywall European Style Rivetnut. This robust design upgrades the thickness of both the body and the head height which provides higher pullout resistance and increased endurance of the joint and assembly. NIK series has a large head and a full hex shaped body which resist spin out. Spin-Pull tools are recommended for installation of NHL series rivetnuts.



INCH	PART CODE	THREAD SIZE (INCH)	GRIP CODE	GRIP RANGE	OVERALL LENGTH REF.	HEAD DIAMETER REF.	HEAD HEIGHT REF.	BODY DIAMETER ACROSS FLATS REF.	HOLE SIZE ACROSS FLATS +.000/- .004
	8C1NHL	8-32 UNC	#1	.027 - .125	.402	.354	.039	.235	.240
	10F1NHL	10-32 UNF	#1	.027 - .125	.571	.394	.039	.275	.280
	25C1NHL	1/4-20 UNC	#1	.027 - .125	.638	.512	.059	.354	.361
	31C1NHL	5/16-18 UNC	#1	.027 - .125	.717	.630	.059	.432	.440
	31C2NHL	5/16-18 UNC	#2	.125 - .220	.827	.630	.059	.432	.440
	37C1NHL	3/8-16 UNC	#1	.030 - .140	.906	.748	.079	.511	.519

METRIC (MM)	PART CODE	THREAD SIZE (METRIC)	GRIP CODE	GRIP RANGE	LENGTH REF.	HEAD DIAMETER REF.	HEAD HEIGHT REF.	BODY DIAMETER ACROSS FLATS REF.	HOLE SIZE ACROSS FLATS +.00/- .01
	.40C1NHL	M4	#1	0.25 - 2.00	10.00	9.00	1.00	6.00	6.10
	.50C1NHL	M5	#1	0.50 - 3.00	13.00	10.00	1.00	7.00	7.10
	.60C1NHL	M6	#1	0.50 - 3.00	14.50	13.00	1.50	9.00	9.10
	.80C1NHL	M8	#1	0.50 - 3.00	16.50	16.00	1.50	11.00	11.10
	.80C2NHL	M8	#2	3.00 - 5.50	19.50	16.00	1.50	11.00	11.10
	.100C1NHL	M10	#1	1.00 - 3.50	21.00	19.00	2.00	13.00	13.10
.120C1NHL	M12	#1	1.00 - 4.00	25.00	23.00	2.00	16.00	16.10	

****LONGER GRIP RANGES AND CLOSED END PARTS ARE AVAILABLE UPON REQUEST****

THE PART NUMBER IS COMPLETE BY ADDING THE MATERIAL AND FINISH CODES AS A SUFFIX TO THE PART CODE:

MATERIAL/FINISH CODES: SY = Steel, Zinc Yellow ROHS
 SZ = Steel, Zinc Clear ROHS †
 SC = Steel, Cad Yellow Plated
 SZN = Steel, Zinc Nickel 800 Hours
 BP = Brass, Plain Finish

EXAMPLE:
 Part Code 6C1NHL in Steel,
 Zinc Clear Plating is... 6C1NHL SZ

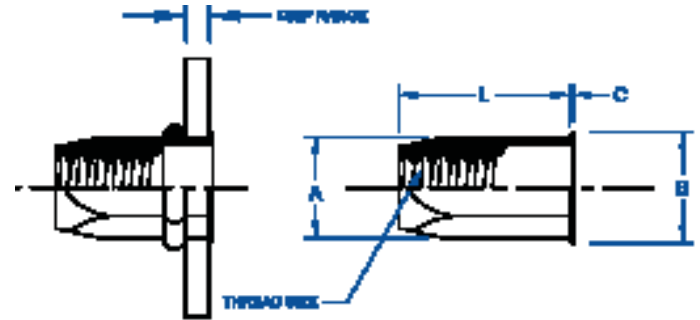
† Indicates stocked configurations

NHR Series™ Full Hex Body · Reduced Head

EUROPEAN STANDARD RIVETNUTS • HEAVYWALL RIVETNUTS

NHR SERIES

The RivetKing NHR Series is a heavywall European Style Rivetnut. This robust design upgrades the thickness of both the body which provides increased endurance of the joint and assembly. NHR series has a reduced head and a full hex shaped body which resist spin out. Spin-Pull tools are recommended for installation of NHR series rivetnuts.



INCH

PART CODE	THREAD SIZE (INCH)	GRIP CODE	GRIP RANGE	OVERALL LENGTH REF.	HEAD DIA ACROSS FLATS REF.	HEAD HEIGHT REF.	BODY DIAMETER ACROSS FLATS REF.	HOLE SIZE ACROSS FLATS +.000/- .004
8C1NHR	8-32 UNC	#1	.027 - .125	.402	.260	.012	.235	.240
10F1NHR	10-32 UNF	#1	.027 - .125	.571	.311	.016	.275	.280
25C1NHR	1/4-20 UNC	#1	.027 - .125	.638	.390	.016	.354	.361
31C1NHR	5/16-18 UNC	#1	.027 - .125	.717	.457	.016	.432	.440
31C2NHR	5/16-18 UNC	#2	.125 - .220	.827	.457	.016	.432	.440
37C1NHR	3/8-16 UNC	#1	.030 - .140	.906	.559	.020	.511	.519

METRIC
(MM)

PART CODE	THREAD SIZE (METRIC)	GRIP CODE	GRIP RANGE	LENGTH REF.	HEAD DIA ACROSS FLATS REF.	HEAD HEIGHT REF.	BODY DIAMETER ACROSS FLATS REF.	HOLE SIZE ACROSS FLATS +.00/- .01
.40C1NHR	M4	#1	0.25 - 2.00	10.00	6.60	.30	6.00	6.10
.50C1NHR	M5	#1	0.50 - 3.00	13.00	7.70	.40	7.00	7.10
.60C1NHR	M6	#1	0.50 - 3.00	14.50	9.80	.40	9.00	9.10
.80C1NHR	M8	#1	0.50 - 3.00	16.50	11.80	.40	11.00	11.10
.80C2NHR	M8	#2	3.00 - 5.50	19.50	11.80	.40	11.00	11.10
.100C1NHR	M10	#1	1.00 - 3.50	21.00	14.00	.50	13.00	13.10
.120C1NHR	M12	#1	1.00 - 4.00	25.00	17.50	.60	16.00	16.10

****LONGER GRIP RANGES AND CLOSED END PARTS ARE AVAILABLE UPON REQUEST****

THE PART NUMBER IS COMPLETE BY ADDING THE MATERIAL AND FINISH CODES AS A SUFFIX TO THE PART CODE:

MATERIAL/FINISH CODES: SY = Steel, Zinc Yellow ROHS
 SZ = Steel, Zinc Clear ROHS †
 SC = Steel, Cad Yellow Plated
 SZN = Steel, Zinc Nickel 800 Hours
 BP = Brass, Plain Finish

EXAMPLE:
 Part Code 6C1NHR in Steel,
 Zinc Clear Plating is... 6C1NHRSZ

† Indicates stocked configurations



Cross Reference Table By Part Number

RIVETKING®	AVK®	ATLAS®	SHEREX®	MARSON®	CELUS®	POP®
6C1IKFSY	ALS4-632-80	AELS-632-80	CAL2-0632-080	57310		TLS1-632-80
6C2IKFSY	ALS4-632-130	AELS-632-130	CAL2-0632-130	57312		TLS1-632-130
8C1IKFSY	ALS4-832-80	AELS-832-80	CAL2-0832-080	57320		TLS1-832-80
8C2IKFSY	ALS4-832-130	AELS-832-130	CAL2-0832-130	57321		TLS1-832-130
10C1IKFSY	ALS4-1024-130		CAL2-1024-130	57330		TLS1-1024-130
10C2IKFSY	ALS4-1024-225		CAL2-1024-225	57332		TLS1-1024-225
10F1IKFSY	ALS4-1032-130	AELS-1032-130	CAL2-1032-130	57340		TLS1-1032-130
10F2IKFSY	ALS4-1032-225	AELS-1032-225	CAL2-1032-225	57342		TLS1-1032-225
25C1IKFSY	ALS4-420-165	AELS-420-165	CAL2-2520-165	57350		TLS1-420-165
25C2IKFSY	ALS4-420-260	AELS-420-260	CAL2-2520-260	57354		TLS1-420-260
31C1IKFSY	ALS4-518-150	AELS-518-150	CAL2-3118-150	57371		TLS1-518-150
31C2IKFSY	ALS4-518-312	AELS-518-312	CAL2-3118-312	57374		TLS1-518-312
37C1IKFSY	ALS4-616-150	AELS-616-150	CAL2-3716-150	57381		TLS1-616-150
37C2IKFSY	ALS4-616-312	AELS-616-312	CAL2-3716-312	57382		TLS1-616-312
50C1IKFSY	ALS4-813-200	AELS-813-200	CAL2-5013-200			TLS1-813-200
50C2IKFSY	ALS4-813-350	AELS-813-350	CAL2-5013-350			TLS1-813-350
6C1IKRSY	AKS4-632-080	AEKS-632-80	CAK2-0632-080	56810		TKS1-632-80
6C2IKRSY	AKS4-632-130	AEKS-632-130	CAK2-0632-130	56812		TKS1-632-130
8C1IKRSY	AKS4-832-080	AEKS-832-80	CAK2-0832-080	56820		TKS1-832-80
8C2IKRSY	AKS4-832-130	AEKS-832-130	CAK2-0832-130	56821		TKS1-832-130
10C1IKRSY	AKS4-1024-130		CAK2-1024-130	56830		TKS1-1024-130
10C2IKRSY	AKS4-1024-225		CAK2-1024-225	56832		TKS1-1024-225
10F1IKRSY	AKS4-1032-130	AEKS-1032-130	CAK2-1032-130	56840		TKS1-1032-130
10F2IKRSY	AKS4-1032-225	AEKS-1032-225	CAK2-1032-225	56842		TKS1-1032-225
25C1IKRSY	AKS4-420-165	AEKS-420-165	CAK2-2520-165	56850		TKS1-420-165
25C2IKRSY	AKS4-420-260	AEKS-420-260	CAK2-2520-260	56854		TKS1-420-260
31C1IKRSY	AKS4-518-150	AEKS-518-150	CAK2-3118-150	56871		TKS1-518-150
31C2IKRSY	AKS4-518-312	AEKS-518-312	CAK2-3118-312	56874		TKS1-518-312
37C1IKRSY	AKS4-616-150	AEKS-616-150	CAK2-3716-150	56881		TKS1-616-150
37C2IKRSY	AKS4-616-312	AEKS-616-312	CAK2-3716-312	56882		TKS1-616-312
4C1IRLSZ	RNS-440-60		CA-0440S-060			
4C2IRLSZ	RNS-440-85		CA-0440S-085			
4C3IRLSZ	RNS-440-110		CA-0440S-110			
6C1IRLSZ	RNS-632-75		CA-0632S-075	57110		
6C2IRLSZ	RNS-632-120		CA-0632S-120			
6C3IRLSZ	RNS-632-160		CA-0632S-160			
8C1IRLSZ	RNS-832-75		CA-0832S-075	57120		
8C2IRLSZ	RNS-832-120		CA-0832S-120	57121		
8C3IRLSZ	RNS-832-160		CA-0832S-160			
10C1IRLSZ			CA-1024S-080	57130		
10C2IRLSZ			CA-1024S-130	57132		
10C3IRLSZ			CA-1024S-180			
10F1IRLSZ	RNS-1032-80		CA-1032S-080	57140		
10F2IRLSZ	RNS-1032-130		CA-1032S-130	57142		
10F3IRLSZ	RNS-1032-180		CA-1032S-180			
25C1IRLSZ	RNS-420-80		CA-2520S-080	57150		STS1-420-80
25C2IRLSZ	RNS-420-140		CA-2520S-140	57152		STS1-420-140
25C3IRLSZ	RNS-420-200		CA-2520S-200	57154		STS1-420-200
31C1IRLSZ	RNS-518-125		CA-3118S-125	57171		STS1-518-125
31C2IRLSZ	RNS-518-200		CA-3118S-200	57174		STS1-518-200
31C3IRLSZ	RNS-518-275		CA-3118S-275			-
37C1IRLSZ	RNS-616-115		CA-3716S-115	57181		STS1-616-115
37C2IRLSZ	RNS-616-200		CA-3716S-200	57184		STS1-616-200
37C3IRLSZ	RNS-616-285		CA-3716S-285			-
50C1IRLSZ	RNS-813-150		CA-5013S-150			STS1-813-150
50C2IRLSZ	RNS-813-250		CA-5013S-250			STS1-813-250
50C3IRLSZ	RNS-813-350		CA-5013S-350			
6C1IRRSZ	AOS4-632-80	AEOS-632-80	CA02-0632-080	57415	CS632-080-SF	
8C1IRRSZ	AOS4-832-80	AEOS-832-80	CA02-0832-080	57425	CS832-080-SF	
10C1IRRSZ	AOS4-1024-130	AEOS-1024-130	CA02-1024-130	57435	CS1024-130-SF	
10F1IRRSZ	AOS4-1032-130	AEOS-1032-130	CA02-1032-130	57445	CS1032-130-SF	
25C1IRRSZ	AOS4-420-165	AEOS-420-165	CA02-2520-165	57455	CS1420-165-SF	
31C1IRRSZ	AOS4-518-200	AEOS-518-200	CA02-3118-200	57475	CS51618-200-SF	
37C1IRRSZ	AOS4-616-200	AEOS-616-200	CA02-3716-200	57485	CS3816-200-SF	
6C1IRRAP				57510	CA632-080-SF	
8C1IRRAP				57520	CA832-080-SF	
10C1IRRAP				57530	CA1024-130-SF	
10F1IRRAP				57540	CA1032-130-SF	
25C1IRRAP				57550	CA1420-165-SF	
31C1IRRAP				57575	CA51618-200-SF	
37C1IRRAP				57585	CA3816-200-SF	

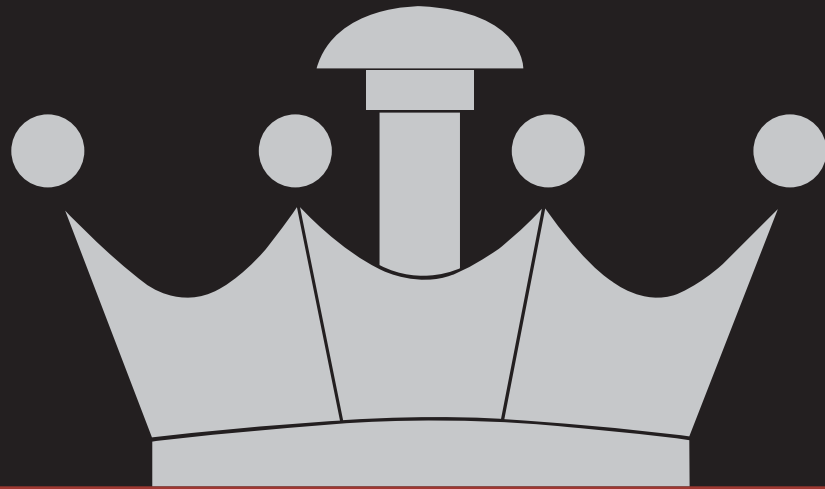
AVK® IS A REGISTERED TRADEMARK OF SP-5® FASTENERS, A DIVISION OF PC® COMPANY. ATLAS® IS A REGISTERED TRADEMARK OF PENN ENGINEERING®. SHEREX® IS A REGISTERED TRADEMARK OF SHEREX FASTENING SOLUTIONS®. POP® IS A REGISTERED TRADE MARK OF EMHART CORPORATION®, A DIVISION OF BLACK & DECKER®. MARSON® IS A REGISTERED TRADE MARK OF ALCOA®. CELUS® AND RIVETKING® IS A REGISTERED TRADEMARK OF THE INDUSTRIAL RIVET & FASTENER COMPANY, INC.



Cross Reference Table By Part Number

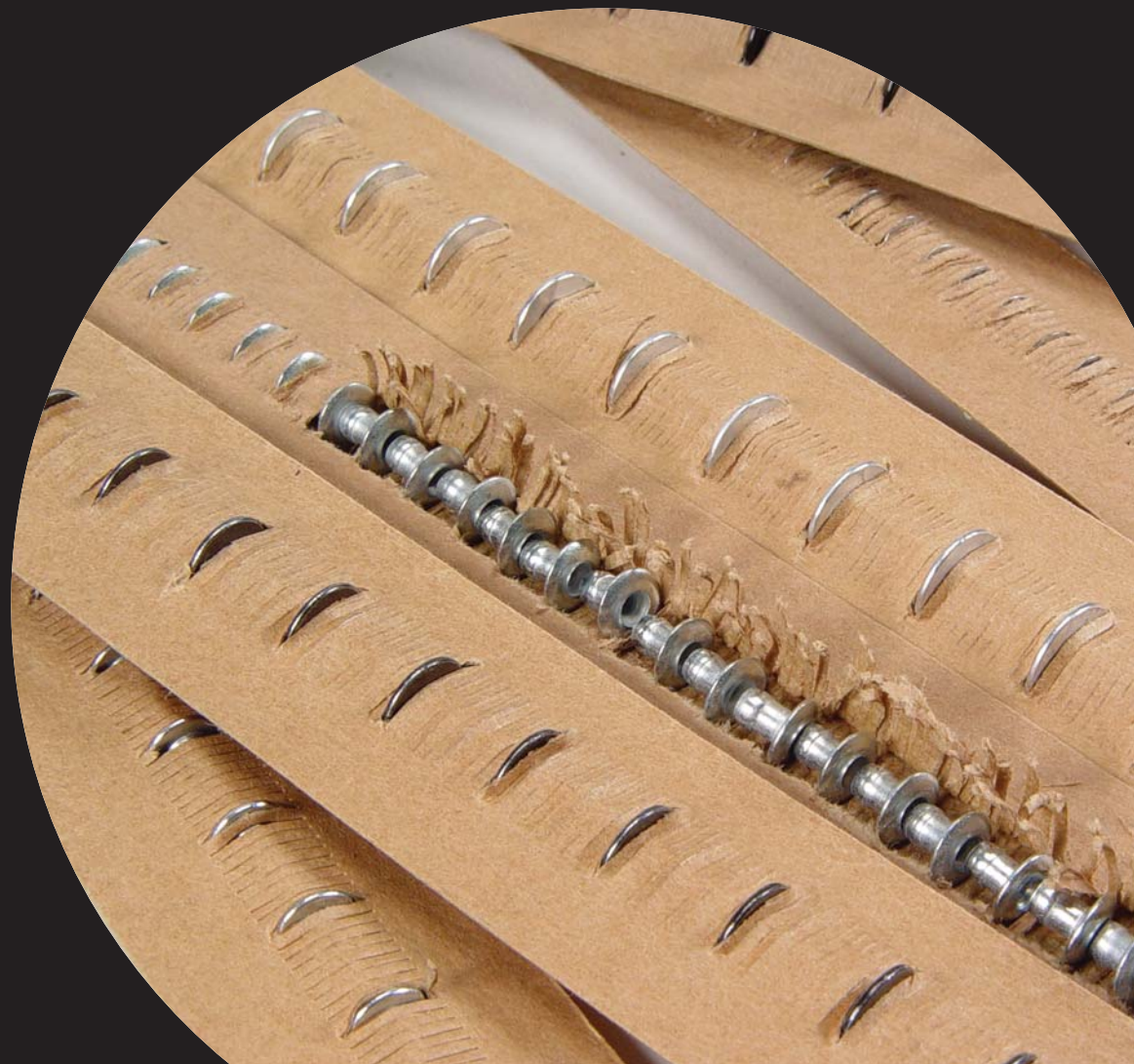
AVK® IS A REGISTERED TRADEMARK OF PCC® COMPANY. ATLAS® IS A REGISTERED TRADEMARK OF PENN ENGINEERING®. SHEREX® IS A REGISTERED TRADEMARK OF SHEREX FASTENING SOLUTIONS®. POP® IS A REGISTERED TRADE MARK OF EMHART CORPORATION®, A DIVISION OF BLACK & DECKER®. MARSON® IS A REGISTERED TRADE MARK OF ALCOA®. CELUS® AND RIVETKING® IS A REGISTERED TRADEMARK OF THE INDUSTRIAL RIVET & FASTENER COMPANY, INC.

RIVETKING®	AVK®	ATLAS®	SHEREX®	MARSON®	CELUS®	POP®
6C1ISNSZ	AWS2-632		CFW2-0632			
8C1ISNSZ	AWS2-832		CFW2-0832			
10C1ISNSZ	AWS2-1024		CFW2-1024			
10F1ISNSZ	AWS2-1032		CFW2-1032			
25C1ISNSZ	AWS2-420		CFW2-2520			
31C1ISNSZ	AWS2-518		CFW2-3118			
37C1ISNSZ	AWS2-616		CFW2-3716			
4C1ISRSZ	ATS2-440	AETS-440	CFT2-0440			
6C1ISRSZ	ATS2-632	AETS-632	CFT2-0632	57810		
8C1ISRSZ	ATS2-832	AETS-832	CFT2-0832	57820		
10C1ISRSZ	ATS2-1024	AETS-1024	CFT2-1024	57830		
10F1ISRSZ	ATS2-1032	AETS-1032	CFT2-1032	57840		
25C1ISRSZ	ATS2-420	AETS-420	CFT2-2520	57850		
31C1ISRSZ	ATS2-518	AETS-518	CFT2-3118	57871		
37C1ISRSZ	ATS2-616	AETS-616	CFT2-3716	57881		
50C1ISRSZ	ATS2-813	AETS-813	CFT2-5013			
6C1IHFSY	AHS4-632-80	AEHS-632-80	CAH2-0632-080	52610		THS1-632-80
6C2IHFSY	AHS4-632-130	AEHS-632-130	CAH2-0632-130	52612		THS1-632-130
8C1IHFSY	AHS4-832-80	AEHS-832-80	CAH2-0832-080	52620		THS1-832-80
8C2IHFSY	AHS4-832-130	AEHS-832-130	CAH2-0832-130	52621		THS1-832-130
10C1IHFSY	AHS4-1024-130		CAH2-1024-130	52630		THS1-1024-130
10C2IHFSY	AHS4-1024-225		CAH2-1024-225	52632		THS1-1024-225
10F1IHFSY	AHS4-1032-130	AEHS-1032-130	CAH2-1032-130	52640		THS1-1032-130
10F2IHFSY	AHS4-1032-225	AEHS-1032-225	CAH2-1032-225	52642		THS1-1032-225
25C1IHFSY	AHS4-420-165	AEHS-420-165	CAH2-2520-165	52650		THS1-420-165
25C2IHFSY	AHS4-420-260	AEHS-420-260	CAH2-2520-260	52654		THS1-420-260
31C1IHFSY	AHS4-518-150	AEHS-518-150	CAH2-3118-150	52671		THS1-518-150
31C2IHFSY	AHS4-518-312	AEHS-518-312	CAH2-3118-312	52674		THS1-518-312
37C1IHFSY	AHS4-616-150	AEHS-616-150	CAH2-3716-150	52681		THS1-616-150
37C2IHFSY	AHS4-616-312	AEHS-616-312	CAH2-3716-312	52684		THS1-616-312
JF-3100						E632
JF-3250						C632
JF-4100						B832
JF-5150						10S
JF-5170						Q1032
JF-5190						H1032
JF-5250						10SL
JF-6150						1/4S
JF-6200						D1420
JF-6250						J1420
JF-8200						E51618
JF-8250						F51618
JF-1027						A3816
JK-0401						4SJN
JK-0402						4LJN
JK-0501						6SJN
JK-0502						6LJN
JK-0601						8SJN
JK-0602						8LJN
10F1IPBSY			CPB2-1032-175			
10F2IPBSY			CPB2-1032-320			
25C1IPBSY	ARS4-420-280	AES25P280PB	CPB2-2520-280			
25C2IPBSY	ARS4-420-500	AES25P500PB	CPB2-2520-500			
31C1IPBSY	ARS4-518-280	AES31P280PB	CPB2-3118-280			
31C2IPBSY	ARS4-518-500	AES31P500PB	CPB2-3118-500			
.50C1IPBSY			CPB2-580-4.45			
.50C2IPBSY			CPB2-580-8.1			
.60C1IPBSY	ARS4-610-7.1	AESM6P7.1PB	CPB2-610-7.1			
.60C2IPBSY	ARS4-610-12.7	AESM6P12.7PB	CPB2-610-12.7			
.80C1IPBSY	ARS4-8125-7.1	AESM8P7.1PB	CPB2-8125-7.1			
.80C2IPBSY	ARS4-8125-12.7	AESM8P12.7PB	CPB2-8125-12.7			
10F1IPNSY			CPN2-1032-175			
10F2IPNSY			CPN2-1032-320			
25C1IPNSY	ARS4-420-280		CPN2-2520-280			
25C2IPNSY	ARS4-420-500		CPN2-2520-500			
31C1IPNSY	ARS4-518-280		CPN2-3118-280			
31C2IPNSY	ARS4-518-500		CPN2-3118-500			
.50C1IPNSY			CPN2-580-4.45			
.50C2IPNSY			CPN2-580-8.1			
.60C1IPNSY	ARS4-610-7.1		CPN2-610-7.1			
.60C2IPNSY	ARS4-610-12.7		CPN2-610-12.7			
.80C1IPNSY	ARS4-8125-7.1		CPN2-8125-7.1			
.80C2IPNSY	ARS4-8125-12.7		CPN2-8125-12.7			



QUICKRIVETING SYSTEM

RIVETKING® QUICKRIVETING SYSTEM





What is QuickRiveting?

THE MODERN, FASTER, LOW FINISHED COST SUCCESSOR TO BLIND RIVETING.

QuickRivets are permanent fastener designed for blind or 1 sided riveting in medium and high volume applications. Rivets are aligned in a paper strip called a pod or magazine so that the rivets can be automatically fed into the quickriveter. The result? An increased output, lower assembly cost and labor saving permanent fastening solution.

WHY QUICKRIVETING?

INCREASED OUTPUT

QuickRivets can be installed up to 4 times faster than traditional blind rivets or screws. Cycle times are limited to less than 2 seconds and installation speeds can reach up to 30 ppm (Semi-Automatic) and 60 ppm (Fully Automatic).

REDUCED LABOR

Many users require additional labor to pre-install standard rivets or screws for faster assembly. The QuickRivet eliminates this task, by allowing the user to feed the rivets themselves. And in those applications where the user is installing the standard blind rivet or screw individually by hand, the QuickRivet offers the increased assembly speed because the feed of the tool occurs once per pod, as apposed to once per rivet. The increased output leads to a reduction the number of assemblers required to meet the manufacturing demand of your product.

MINIMAL WASTED, IMPROVED SAFETY

Standard blind rivets have a disposable nail or mandrel that can pose a safety problem when dropped on the floor. The QuickRivet System employs a re-usable mandrel that can be used for up to 50K rivets. The only waste generated is that of the paper pods (made of recycled paper), which can again be recycled.

COST SAVINGS

Increased Output & Production Capacity, Reduced Labor Cost, Minimized Waste and Improved Safety equals overall cost savings to the user.

IMPROVED JOINT QUALITY AND PERFORMANCE

Permanent fastening offers a higher clamp up value then that of screws. In addition, because of the clamping force applied, the joint is more secure when under shear and tension loads as well as resists vibration.

FINE TUNING AND FLEXIBILITY

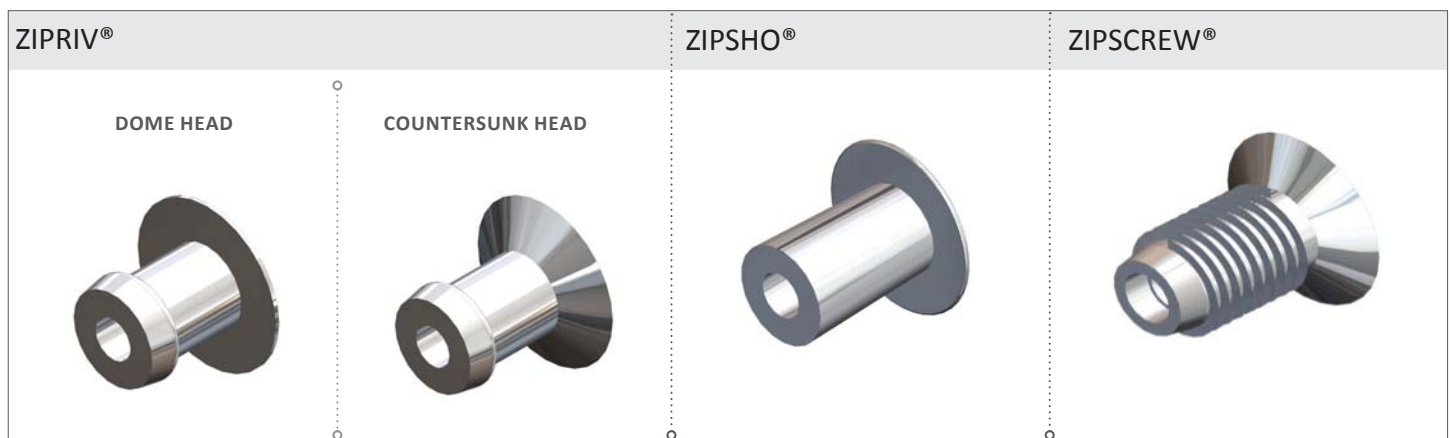
Due to the variety of rivet types, materials, front jaw assemblies, and mandrel sizes, the QuickRiveting System® can be fine tuned to work perfectly with your application. Whether a tight clinch for good hole fill or a light clinch for use as a pivot or when used with fragile PCB's. The QuickRivet System is completely customizable, yet can be interchanged with other QuickRiveting products for use on other assembly lines.

RELIABILITY AND CONSISTENCY

When the proper QuickRiveting Components are selected, you can be sure that the rivets will perform consistently both during and after assembly, eliminating the need for frequent adjustments.

PERFECT FOR ELECTRONIC AND PCB APPLICATIONS

A Typical problem in standard blind riveting for electronic applications is due to the remaining portion of the nail or mandrel left in the rivet after assembly. Under the right conditions this small piece of the mandrel can fall out of the rivet into the electronic component causing a short circuit. QuickRivets are not affected by this condition because the mandrel is completely withdrawn from the rivet during assembly. In addition, QuickRivets are a great catalyst in dispersing heat generated in electronic components which makes it perfect for high temperature environments such as HeatSinks, Rambus Fixtures and Microchips.





RivetKing® Rk-753™ Assembly Tool

RK-753 QUICKRIVETING HAND TOOL

Built with speed, power, and reliability in mind, the RK-753™ is your turnkey solution to installing ZipRiv®, ZipSho®, ZipScrew®, and ZipGroove™ QuickRiveting products.

The RK-753 HydraPneumatic QuickRiveter™ separates the nose of the tool from the weight of the tool body, therefore, the operator carries only 2.37 lbs, while the heavier remote intensifier is stored at ground level. In addition, an on-board oil reservoir allows for proper lubrication during use. Applicable nose pieces, mandrels, springs, and spare parts are always available from your local distributor.



RK-753-P3 QUICKRIVETING HAND TOOL



TECHNICAL SPECIFICATION AND PERFORMANCE DATA



SETTING CAPACITY:	3/32" (2.4) – 1/8" (3.2) – 5/32" (4.0) – 3/16" (4.8)
RIVET TYPES:	RIVETKING® ZIPRIV®, ZIPSHO®, ZIPSCREW®, ZIPGROOVE™ AND ZIPTRONIC™, AVDEL®, BRIV®, CHOBERT®, RIVSCREW®, GROVIT® AND AVLUG®, AVTRONIC®
AIR SUPPLY PRESSURE:	72.5 - 101.5 PSI
FREE AIR PRESSURE:	74 PSI WITH 158.66 IN
TRACTION POWER @ 90PSI:	874 LB/F
STROKE LENGTH:	1.18" MINIMUM
CYCLE TIME:	1-2 SECONDS
WEIGHT:	2.376 LBS
VIBRATION:	2.7 M/S
OVERALL LENGTH:	18.70" INCHES
NOISE LEVEL:	70 DBA MAX.
INTENSIFICATION RATIO:	30:1

1) ZIPRIV®, ZIPSHO®, ZIPSCREW®, ZIPGROOVE™ AND ZIPTRONIC™ ARE REGISTERED TRADEMARKS OF INDUSTRIAL RIVET & FASTENER CO.

2) BRIV®, CHOBERT®, RIVSCREW®, GROVIT® AND AVLUG®, AVTRONIC® ARE REGISTERED TRADEMARKS OF AVDEL®, ACUMENT™ GLOBAL TECHNOLOGIES COMPANY, COPYRIGHT © 2007 ACUMENT™ INTELLECTUAL PROPERTIES LLC.

3) INDUSTRIAL RIVET & FASTENER CO. AND RIVETKING® ARE IN NO WAY ASSOCIATED WITH AVDEL®, ACUMENT™ GLOBAL TECHNOLOGIES COMPANY, COPYRIGHT © 2007 ACUMENT™ INTELLECTUAL PROPERTIES LLC.



Extensively used in sheet metal fabrication, ZipRiv® offers a high clamp up to steel, brass, aluminum and some plastic substrates.

The ZipRiv® can be identified by its bulge towards the tail of the rivet. Offered in dome and countersunk head styles in a variety of materials and finishes.

DOME HEAD ADZ, SDZ, BDZ, FDZ SERIES	COUNTERSUNK HEAD ACZ, SCZ SERIES	BUILDING A ZIPRIV PART NUMBER						
		<table border="1" style="margin: auto;"> <tr> <th>DESIGNATION</th> <th>SIZE</th> <th>FINISH</th> </tr> <tr> <td style="text-align: center;">A D Z -</td> <td style="text-align: center;">04 04</td> <td style="text-align: center;">BA</td> </tr> </table> <p style="font-size: small; text-align: center;"> MATERIAL PREFIX: A-Aluminum, S-Steel, B-Brass, F-Stainless Steel "Z" ZIP RIV GRIP CODE PER CHART HEAD STYLE: D-Dome Head, C-Countersunk Head DIAMETER CODE: IN 32nds (04-1/8", 05-5/32", 06-3/16") FINISH: SZ-Zinc ROHS, BA-Black Anodize, BZ-Black Zinc ROHS, TP-Tin Plated </p>	DESIGNATION	SIZE	FINISH	A D Z -	04 04	BA
DESIGNATION	SIZE	FINISH						
A D Z -	04 04	BA						

	PART NUMBER	GRIP RANGE	LENGTH LENGTH MAX.	PCS/ POD PCS/ POD +/-1	HOLE SIZE		BD BODY DIA MAX	HD HEAD DIA MAX	HH HEAD HEIGHT MAX				
					MIN	MAX							
DOME HEAD	(X)DZ - 0304	.045-.095 (1.14-2.42)	.157 (3.98)	64	.093 (2.36)	.096 (2.44)	.0923 (2.35)	.162 (4.30)	.035 (0.89)				
										(X)DZ - 0306	.085-.135 (2.15-3.43)	.197 (5.00)	52
										(X)DZ - 0308	.125-.175 (3.17-4.45)	.237 (6.02)	44
	(X)DZ - 0403	.025-.075 (0.64-1.91)	.152 (3.86)	59	.1285 (3.26)	.1315 (3.34)	.1235 (3.14)	.257 (6.60)	.039 (0.99)				
										(X)DZ - 0404	.045-.095 (1.14-2.42)	.172 (4.37)	58
										(X)DZ - 0405	.065-.115 (1.65-2.87)	.192 (4.87)	50
										(X)DZ - 0406	.085-.135 (2.15-3.43)	.212 (5.39)	48
										(X)DZ - 0408	.125-.175 (3.17-4.45)	.252 (6.41)	42
										(X)DZ - 0410	.165-.215 (4.19-5.47)	.292 (7.42)	37
										(X)DZ - 0412	.215-.255 (5.20-6.48)	.332 (8.44)	33
										(X)DZ - 0414	.245-.295 (6.22-7.50)	.372 (9.45)	29
	(X)DZ - 0505	.062-.115 (1.57-2.93)	.193 (4.91)	52	.1562 (3.97)	.1592 (4.04)	.1525 (3.88)	.332 (8.30)	.039 (0.99)				
										(X)DZ - 0507	.105-.155 (2.66-3.94)	.233 (5.92)	44
										(X)DZ - 0509	.145-.195 (3.68-4.96)	.273 (6.94)	39
										(X)DZ - 0511	.185-.235 (4.69-5.97)	.313 (7.95)	34
										(X)DZ - 0513	.225-.275 (5.71-6.99)	.353 (8.97)	31
										(X)DZ - 0515	.265-.315 (6.73-8.00)	.393 (9.98)	26
	(X)DZ - 0606	.065-.130 (1.65-3.30)	.212 (5.39)	46	.191 (4.85)	.194 (4.93)	.1875 (4.77)	.382 (9.80)	.046 (1.17)				
										(X)DZ - 0607	.080-.155 (2.03-3.94)	.240 (6.10)	42
										(X)DZ - 0609	.145-.205 (3.68-5.21)	.290 (7.37)	35
(X)DZ - 0611										.195-.255 (4.95-6.48)	.340 (8.64)	31	
(X)DZ - 0613										.245-.305 (6.22-7.75)	.390 (9.91)	27	
(X)DZ - 0615										.295-.355 (7.49-9.02)	.440 (11.18)	24	
(X)DZ - 0617										.345-.405 (8.76-10.29)	.490 (12.45)	22	
(X)DZ - 0619										.395-.455 (10.03-11.56)	.530 (13.46)	20	
COUNTERSUNK HEAD	(X)CZ - 0404	.057-.067 (1.45-1.70)	.165 (4.19)	72	.1285 (3.26)	.1315 (3.34)	.1245 (3.17)	.230 (5.50)	0.027 (0.74)				
									(X)CZ - 0405	.050-.090 (1.27-2.29)	.170 (4.32)	72	0.029 (0.69)
									(X)CZ - 0406	.060-.110 (1.52-2.79)	.188 (4.77)	64	0.03 (0.76)
									(X)CZ - 0407	.100-.150 (2.54-3.81)	.228 (5.79)	52	
									(X)CZ - 0408	.140-.190 (3.56-4.83)	.268 (6.81)	44	
									(X)CZ - 0410	.180-.230 (4.57-5.84)	.308 (7.82)	38	
									(X)CZ - 0411	.220-.270 (5.59-6.86)	.348 (8.84)	33	
	(X)CZ - 0505	.062-.115 (1.57-2.93)	.204 (5.18)	59	.1562 (3.97)	.1592 (4.04)	.1535 (3.90)	.240 (6.50)	0.04 (1.02)				
										(X)CZ - 0506	.086-.135 (2.15-3.43)	.224 (5.69)	54
										(X)CZ - 0507	.105-.155 (2.66-3.94)	.244 (6.19)	49
										(X)CZ - 0509	.145-.195 (3.68-4.96)	.284 (7.21)	42
										(X)CZ - 0511	.185-.235 (4.69-5.97)	.324 (8.22)	36
										(X)CZ - 0513	.225-.275 (5.71-6.99)	.364 (9.24)	32

NOTE: SHEAR AND TENSILE DATA VARIES BASED ON HOLE SIZE, ACTUAL GRIP AND SUBSTRATE MATERIAL SELECTION. FOR REFERENCE DATA PLEASE CONTACT THE ENGINEERING DEPARTMENT. FOR CRITICAL APPLICATIONS, WE SUGGEST OUR ENGINEERING DEPARTMENT PERFORM TESTING ON THE ACTUAL MATERIALS TO BE RIVETED. RESULTING DATA WILL BE PROVIDED UPON REQUEST.

METRIC DIMENSIONS ARE IN PARENTHESIS



RivetKing® ZipSho®

THE FOLLOWING PRODUCTS ARE COVERED UNDER ONE OR MORE OF THE FOLLOWING PATENTS/TRADemarks
3,678,928 • 7385185 • 30 2009 028, 046.0/06 • 01391641

USPTO REG. NO. 77/613,075 • ROHS COMPLIANT

Typically used in soft or brittle materials, ZipSho® is designed for fastening applications that may be sensitive to clamping force and shock. ZipSho® assembles materials such as acrylic, plastic, vinyl, rubber wood or brittle metals that can crack or break under extreme clamping pressure. An internally tapered hole uses controlled radial expansion of the tail which firmly fastens without adversely affecting the riveted substrates.



DOMED HEAD ADZS, SDZS, BDZS, FDZS SERIES	UNDERSIZE HEAD AUZS, SUZS, BUZS SERIES	LOW PROFILE HEAD ALZS, SLZS, FLZS SERIES	BUILDING A ZIPSHO PART NUMBER						
			<table border="1"> <thead> <tr> <th>DESIGNATION</th> <th>SIZE</th> <th>FINISH</th> </tr> </thead> <tbody> <tr> <td>A D ZS -</td> <td>04 06</td> <td>BA</td> </tr> </tbody> </table> <p> MATERIAL PREFIX A- Aluminum S- Steel B- Brass F- Stainless Steel </p> <p> HEAD STYLE D- Dome Head U- Undersize Head L- Low Profile Head </p> <p> "ZS" ZIPSHO </p> <p> DIAMETER CODE IN 32nds 04 - 1/8" 05 - 5/32" 06 - 3/16" </p> <p> GRIP CODE PER CHART </p> <p> FINISH SZ- Zinc ROHS BA- Black Anodize BZ- Black Zinc ROHS TP- Tin Plated </p>	DESIGNATION	SIZE	FINISH	A D ZS -	04 06	BA
DESIGNATION	SIZE	FINISH							
A D ZS -	04 06	BA							

	PART NUMBER	GRIP RANGE	LENGTH MAX.	PCS/ POD +/-1	HOLE SIZE	BD BODY DIA MAX	HD HEAD DIA MAX	HH HEAD HEIGHT MAX								
DOMED HEAD	3/32" (2.4)	(X)DZS - 0304	.001-.062 (0.00-1.57)	.125 (3.17)	73	.098 (2.49)	.1005 (2.55)	.0975 (2.48)	.163 (4.3)	.037 (1.0)						
		(X)DZS - 0306	.062-.125 (1.57-3.17)	.187 (4.75)	52											
		(X)DZS - 0308	.125-.187 (3.17-4.75)	.250 (6.35)	41											
	1/8" (3.2)	(X)DZS - 0404	.000-.062 (0.00-1.57)	.125 (3.17)	71	.129 (3.28)	.1315 (3.34)	0.1285 (3.27)	.217 (5.5)	.045 (1.2)						
		(X)DZS - 0406	.062-.125 (1.57-3.17)	.187 (4.75)	51											
		(X)DZS - 0408	.125-.187 (3.17-4.75)	.250 (6.35)	39											
		(X)DZS - 0410	.187-.250 (4.75-6.35)	.312 (7.92)	32											
		(X)DZS - 0412	.250-.312 (6.35-7.92)	.375 (9.52)	27											
	5/32" (4.0)	(X)DZS - 0506	.062-.125 (1.57-3.17)	.187 (4.75)	47	.161 (4.09)	0.164 (4.16)	.1595 (4.06)	.257 (6.5)	.058 (1.5)						
		(X)DZS - 0508	.125-.187 (3.17-4.75)	.250 (6.35)	38											
		(X)DZS - 0510	.187-.250 (4.75-6.35)	.312 (7.92)	31											
		(X)DZS - 0512	.250-.312 (6.35-7.92)	.375 (9.52)	27											
		(X)DZS - 0514	.312-.375 (7.92-9.52)	.437 (11.1)	23											
		(X)DZS - 0516	.375-.437 (9.52-11.10)	.500 (12.7)	21											
		(X)DZS - 0605	.000-.062 (0.00-1.57)	.156 (3.96)	50											
	3/16" (4.8)	(X)DZS - 0607	.062-.125 (1.57-3.17)	.219 (5.56)	38	.191 (4.85)	.194 (4.93)	.1895 (4.82)	.351 (8.9)	.071 (1.8)						
(X)DZS - 0609		.125-.187 (3.17-4.75)	.281 (7.17)	33												
(X)DZS - 0611		.187-.250 (4.75-6.35)	.344 (8.74)	28												
(X)DZS - 0613		.250-.312 (6.35-7.92)	.406 (10.31)	24												
(X)DZS - 0615		.312-.375 (7.92-9.52)	.469 (11.91)	21												
(X)DZS - 0617		.375-.437 (9.52-11.10)	.531 (13.49)	19												
(X)DZS - 0619		.437-.500 (11.10-12.70)	.594 (15.09)	17												
UNDERSIZE HEAD		1/8" (3.2)	(X)UZS - 0404	.000-.062 (0.00-1.57)	.125 (3.17)						71	.120 (3.048)	.123 (3.124)	.1185 (3.01)	.217 (5.52)	.045 (1.15)
			(X)UZS - 0406	.062-.125 (1.57-3.17)	.187 (4.75)						51					
	(X)UZS - 0408		.125-.187 (3.17-4.75)	.250 (6.35)	39											
	(X)UZS - 0410		.187-.250 (4.75-6.35)	.312 (7.92)	32											
	(X)UZS - 0412		.250-.312 (6.35-7.92)	.375 (9.52)	27											
LOW PROFILE HEAD	1/8" (3.2)	(X)LZS - 0404	.000-.062 (0.00-1.57)	.125 (3.17)	71	.129 (3.28)	.1315 (3.34)	0.1285 (3.27)	.262 (6.66)	.041 (1.05)						
		(X)LZS - 0406	.062-.125 (1.57-3.17)	.187 (4.75)	51											
		(X)LZS - 0408	.125-.187 (3.17-4.75)	.250 (6.35)	39											
		(X)LZS - 0410	.187-.250 (4.75-6.35)	.312 (7.92)	32											
		(X)LZS - 0412	.250-.312 (6.35-7.92)	.375 (9.52)	27											
	3/16" (4.8)	(X)LZS - 0605	.000-.062 (0.00-1.57)	.156 (3.96)	50	.191 (4.85)	.194 (4.93)	.1895 (4.82)	.396 (10.06)	.065 (1.66)						
		(X)LZS - 0607	.062-.125 (1.57-3.17)	.219 (5.56)	38											
		(X)LZS - 0609	.125-.187 (3.17-4.75)	.281 (7.17)	33											
		(X)LZS - 0611	.187-.250 (4.75-6.35)	.344 (8.74)	28											
		(X)LZS - 0613	.250-.312 (6.35-7.92)	.406 (10.31)	24											
		(X)LZS - 0615	.312-.375 (7.92-9.52)	.469 (11.91)	21											
		(X)LZS - 0617	.375-.437 (9.52-11.10)	.531 (13.49)	19											
		(X)LZS - 0619	.437-.500 (11.10-12.70)	.594 (15.09)	17											

NOTE: SHEAR AND TENSILE DATA VARIES BASED ON HOLE SIZE, ACTUAL GRIP AND SUBSTRATE MATERIAL SELECTION. FOR REFERENCE DATA PLEASE CONTACT THE ENGINEERING DEPARTMENT. FOR CRITICAL APPLICATIONS, WE SUGGEST OUR ENGINEERING DEPARTMENT PERFORM TESTING ON THE ACTUAL MATERIALS TO BE RIVETED. RESULTING DATA WILL BE PROVIDED UPON REQUEST.

METRIC DIMENSIONS ARE IN PARENTHESIS



RivetKing® ZipScrew®

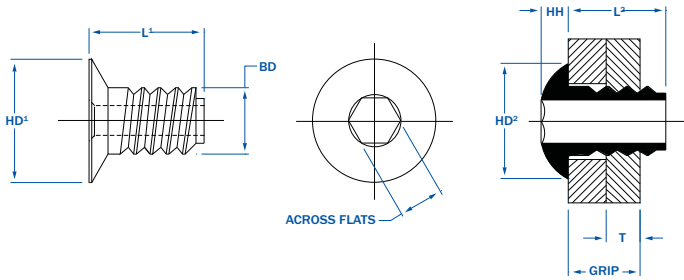
THE FOLLOWING PRODUCT IS COVERED UNDER THE FOLLOWING PATENT/TRADENAME: 3,668,000

ROHS COMPLIANT

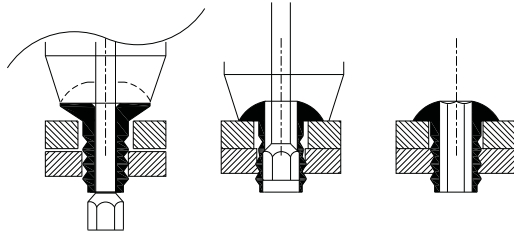
ZIPSCREW®

The RivetKing® ZipScrew® is a unique fastener which allows for the continuous removal and replacement after it is installed. Most often its used in electronics where the removal and replacement of microchips, chipsets, mosfets, access doors and other areas where the removal of the rivet by the end user may be required.

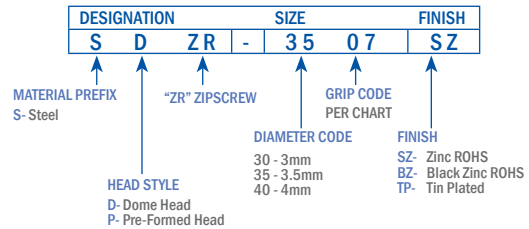
Often times the ZipScrew® is preferred over traditional screws since the user benefits from the installation speed of a rivet and the removability of a screw. Once installed, the user can use a standard hex key to remove the rivet, and later reinstall the rivet just like a screw. The ZipScrew® radial expands resulting in a vibration resistant assembly. Can be used in materials with less than 105 Hv5 hardness.



PLACING SEQUENCE



BUILDING A ZIPSCREW® PART NUMBER



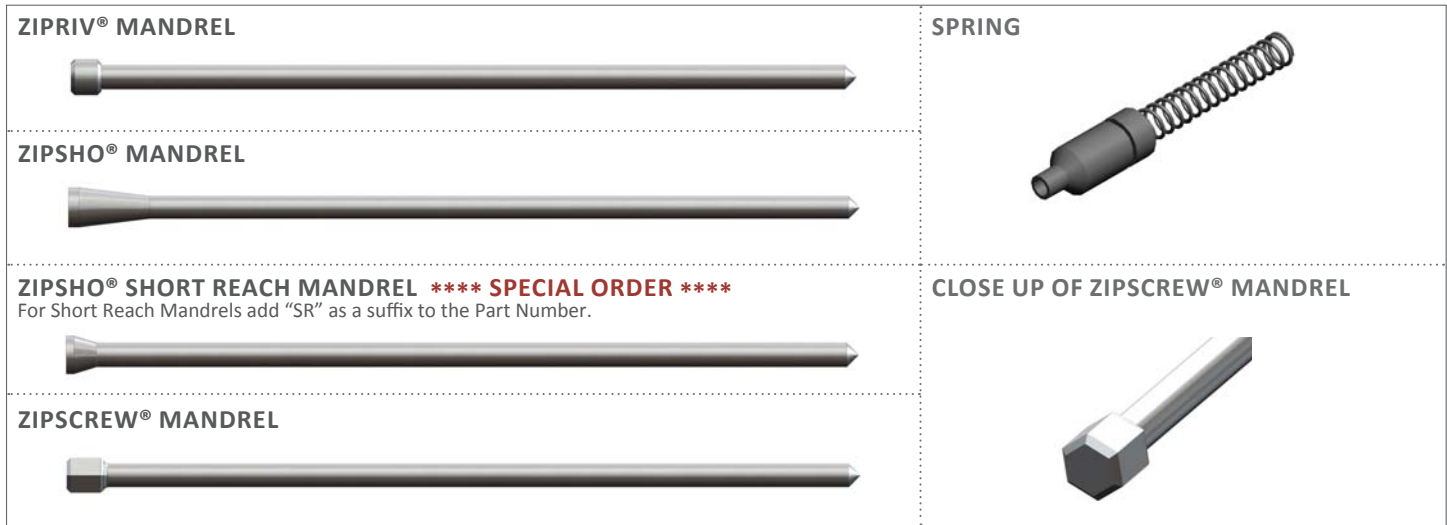
PART NUMBER	GRIP RANGE		L1 LENGTH AS INSTALLED	L2 LENGTH AS INSTALLED	PCS/POD	HOLE SIZE FRONT SHEET		HOLE SIZE REAR SHEET		BD BODY DIA	HD HEAD DIA AS SUPPLIED	HD2 BODY DIA AS INSTALLED	HH HEAD HEIGHT AS INSTALLED	T THICKNESS REAR SHEET
	MAX	MIN	MAX	MAX		MIN	MAX	MIN	MAX					
3.0mm	SDZR - 3006	.112 (2.85)	.202 (5.2)	.157 (4.0)	62	.121 (3.07)	.124 (3.15)	.111 (2.82)	.114 (2.89)	.1107 (2.8)	.230 (5.7)	.240 (6.1)	.055 (1.4)	.064 (1.62)
	SDZR - 3007	.151 (3.85)	.241 (6.1)	.196 (5.0)	52									
	SDZR - 3009	.190 (4.83)	.280 (7.1)	.235 (6.0)	43									
	SDZR - 3010	.229 (5.82)	.319 (8.1)	.274 (7.0)	38									
	SDZR - 3011	.268 (6.81)	.359 (9.1)	.314 (8.0)	34									
	SDZR - 3012	.307 (7.80)	.397 (10.1)	.352 (9.0)	30									
	SDZR - 3016	.422 (10.72)	.515 (13.1)	.467 (11.9)	23									
3.5mm	SDZR - 3506	.112 (2.85)	.202 (5.2)	.157 (4.0)	62	.138 (3.50)	.141 (3.58)	.122 (3.10)	.125 (3.17)	.1215 (3.1)	.235 (5.8)	.240 (6.1)	.055 (1.4)	.064 (1.62)
	SDZR - 3507	.151 (3.85)	.241 (6.1)	.196 (5.0)	52									
	SDZR - 3509	.190 (4.83)	.280 (7.1)	.235 (6.0)	43									
	SDZR - 3510	.229 (5.82)	.319 (8.1)	.274 (7.0)	38									
	SDZR - 3511	.268 (6.81)	.359 (9.1)	.314 (8.0)	34									
	SDZR - 3512	.307 (7.80)	.397 (10.1)	.352 (9.0)	30									
	SDZR - 3517	.463 (11.76)	.553 (14.1)	.508 (12.9)	21									
4.0mm	SDZR - 4006	.112 (2.85)	.202 (5.2)	.157 (4.0)	62	.165 (4.19)	.142 (3.61)	.145 (3.68)	.1415 (3.6)	.235 (6.0)	.250 (6.4)	.055 (1.4)	.064 (1.62)	
	SDZR - 4007	.151 (3.85)	.241 (6.1)	.196 (5.0)	52									
	SDZR - 4009	.190 (4.83)	.280 (7.1)	.235 (6.0)	43									
	SDZR - 4010	.229 (5.82)	.319 (8.1)	.274 (7.0)	38									
	SDZR - 4011	.268 (6.81)	.359 (9.1)	.314 (8.0)	34									
	SDZR - 4012	.307 (7.80)	.397 (10.1)	.352 (9.0)	30									
	SDZR - 4015	.385 (9.78)	.475 (12.1)	.430 (11.0)	25									

NOTE: SHEAR AND TENSILE DATA VARIES BASED ON HOLE SIZE, ACTUAL GRIP AND SUBSTRATE MATERIAL SELECTION. FOR REFERENCE DATA PLEASE CONTACT THE ENGINEERING DEPARTMENT. FOR CRITICAL APPLICATIONS, WE SUGGEST OUR ENGINEERING DEPARTMENT PERFORM TESTING ON THE ACTUAL MATERIALS TO BE RIVETED. RESULTING DATA WILL BE PROVIDED UPON REQUEST.

METRIC DIMENSIONS ARE IN PARENTHESIS



RivetKing® Mandrel & Spring Consumables



PRODUCT	RIVET DIAMETER	MANDREL PART NUMBER	DESCRIPTION	MINIMUM APPLICATION HOLE SIZE	TIP COLOR IDENTIFIER	DIMENSIONS		SPRING PART NUMBER
						TD	L	
ZipRiv® Alu./StAeel/Brass	3/32" (2.4)	ZRTM-093-S	Standard Tip, Standard Length	.093" (2.36)	Green	.072" (1.83)	19" (483)	ZSTS-093
		ZRTM-093-1	#1 Oversize Tip, Standard Length	.097" (2.46)	Yellow	.076" (1.93)		
		ZRTM-093-2	#2 Oversize Tip, Standard Length	.101" (2.56)	Blue	.079" (2.01)		
ZipRiv® Alu./Steel/Brass	1/8" (3.2)	ZRTM-125-S	Standard Tip, Standard Length	.1285" (3.26)	Green	.092" (2.34)	19" (483)	ZRTS-125
		ZRTM-125-1	#1 Oversize Tip, Standard Length	.1335" (3.39)	Yellow	.097" (2.46)		
		ZRTM-125-2	#2 Oversize Tip, Standard Length	.1385" (3.51)	Blue	.102" (2.59)		
ZipRiv® Alu./Steel/Brass	5/32" (4.0)	ZRTM-156-S	Standard Tip, Standard Length	.1562" (3.97)	Green	.110" (2.79)	19" (483)	ZRTS-156
		ZRTM-156-1	#1 Oversize Tip, Standard Length	.1612" (4.1)	Yellow	.115" (2.92)		
		ZRTM-156-2	#2 Oversize Tip, Standard Length	.1662" (4.22)	Blue	.120" (3.05)		
ZipRiv® Alu./Steel/Brass	3/16" (4.8)	ZRTM-187-S	Standard Tip, Standard Length	.191" (4.85)	Green	.140" (3.58)	19" (483)	ZRTS-187
		ZRTM-187-1	#1 Oversize Tip, Standard Length	.196" (4.98)	Yellow	.145" (3.71)		
		ZRTM-187-2	#2 Oversize Tip, Standard Length	.201" (5.1)	Blue	.151" (3.84)		
		ZRTM-187-3	#3 Oversize Tip, Standard Length	.203" (5.15)	Red	.153" (3.85)		
ZipRiv® Stainless Steel	All Sizes	Contact our application engineering department. A broachload test must be conducted by RivetKing staff to determine the best mandrel for the application. Warning: Use of standard mandrels in stainless steel ZipRiv® can cause a potentially hazardous condition.						
ZipSho®	3/32" (2.4)	ZSTM-093-S	Standard Tip, Standard Length	.098 (2.49)	Green	.0725" (1.84)	19" (483)	ZRTS-093
		ZSTM-093-1	#1 Oversize Tip, Standard Length	.0995 (2.53)	Yellow	.074" (1.88)		
		ZSTM-093-2	#2 Oversize Tip, Standard Length	.1015 (2.58)	Blue	.076" (1.93)		
ZipSho®	1/8" (3.2)	ZSTM-125-S	Standard Tip, Standard Length	.129 (3.28)	Green	.088" (2.24)	19" (483)	ZRTS-125
		ZSTM-125-1	#1 Oversize Tip, Standard Length	.133 (3.38)	Yellow	.092" (2.34)		
		ZSTM-125-2	#2 Oversize Tip, Standard Length	.139 (3.53)	Blue	.098" (2.49)		
ZipSho®	5/32" (4.0)	ZSTM-125-3	#3 Oversize Tip, Standard Length	.143 (3.63)	Red	.102" (2.59)	19" (483)	ZRTS-156
		ZSTM-156-S	Standard Tip, Standard Length	.161 (4.09)	Green	.107" (2.72)		
		ZSTM-156-1	#1 Oversize Tip, Standard Length	.169 (4.29)	Yellow	.115" (2.92)		
ZipSho®	3/16" (4.8)	ZSTM-156-2	#2 Oversize Tip, Standard Length	.176 (4.47)	Blue	.122" (3.10)	19" (483)	ZRTS-187
		ZSTM-156-3	#3 Oversize Tip, Standard Length	.186 (4.72)	Red	.132" (3.35)		
		ZSTM-187-S	Standard Tip, Standard Length	.191 (4.85)	Green	.132" (3.35)		
ZipSho®	3/16" (4.8)	ZSTM-187-1	#1 Oversize Tip, Standard Length	.205 (5.2)	Yellow	.146" (3.71)	19" (483)	ZRTS-187
		ZSTM-187-2	#2 Oversize Tip, Standard Length	.215 (5.45)	Blue	.156" (3.96)		
ZipScrew®	3.0mm	ZWTM-300-S	Standard Tip, Standard Length	See ZipScrew®	Green	.065" (1.65)	19" (483)	ZWTS-300
ZipScrew®	3.5mm	ZWTM-350-S	Standard Tip, Standard Length	See ZipScrew®	Yellow	.0825" (2.10)		ZWTS-350
ZipScrew®	4.0mm	ZWTM-400-S	Standard Tip, Standard Length	See ZipScrew®	Blue	.103" (2.62)		ZWTS-400

NOTE: LONG MANDRELS AND LONG SPRINGS ARE AVAILABLE. FOR LONG MANDRELS AND SPRINGS ADD THE FOLLOWING TO THE PART NUMBER.

- Standard Mandrels 19" (483) or Standard Springs: Specified Above
- Long Mandrels 20" (508) or Long Springs: Add "L" to the Part Number
- Extra Long Mandrels 21" (533): Add "XL" to the Part Number

METRIC DIMENSIONS ARE IN PARENTHESIS



RivetKing® Nose Jaw Selection

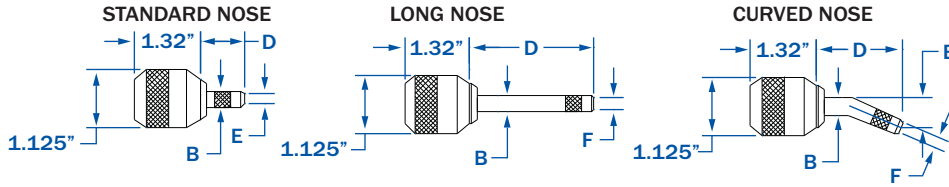
THE FOLLOWING PRODUCT IS COVERED UNDER THE FOLLOWING PATENT/TRADEMARK: 3,668,000

ROHS COMPLIANT

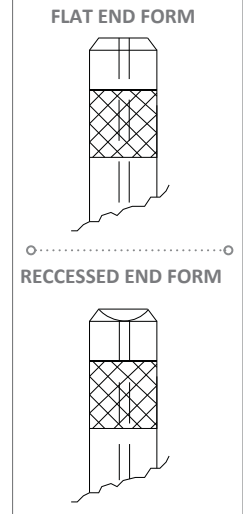
NOSE JAW SELECTION

The Nose Jaw is an integral part of the QuickRiveting System®. The type of Nose Jaw you select is application dependent. While the flat end form is most common, the recessed end form allows for high clamp up or can be used to deform a countersunk head

into a dome head. Long Nose Jaws are used in hard to reach or limited access areas. Nose Jaws can be designed to fit your application. Contact our applications engineering department for custom designs and application assistance.



RIVET DIA.	PART NUMBER	NOSE TYPE & FORM	DIMENSIONS		
			B	D	E
3/32" (2.4)	Z-7150-3003	Standard Flat	.36" (9.14)	1.3" (33.02)	.16" (4.06)
	Z-7150-4003	Long Flat	.41" (10.41)	2.3" (58.42)	.16" (4.06)
	Z-7150-5003	Curved Long Flat	.41" (10.41)	2.28" (57.91)	.16" (4.06)
1/8" (3.2)	Z-7150-3004	Standard Flat	.41" (10.41)	1.18" (29.97)	.20" (5.08)
	Z-7170-3004	Standard Recessed	.41" (10.41)	1.20" (30.48)	.30" (7.62)
	Z-7150-4004	Long Flat	.41" (10.41)	2.18" (55.37)	.20" (5.08)
	Z-7170-3204	Long Recessed	.41" (10.41)	2.18" (55.37)	.30" (7.62)
	Z-7150-5004	Curved Long Flat	.41" (10.41)	2.22" (56.39)	.20" (5.08)
5/32" (4.0)	Z-7170-3304	Curved Long Recessed	.41" (10.41)	2.22" (56.39)	.30" (7.62)
	Z-7150-3005	Standard Flat	.48" (12.19)	1.30" (33.02)	.24" (6.10)
	Z-7170-3005	Standard Recessed	.48" (12.19)	1.32" (35.53)	.41" (10.41)
	Z-7150-4005	Long Flat	.48" (12.19)	2.30" (58.42)	.24" (6.10)
	Z-7170-3205	Long Recessed	.48" (12.19)	2.30" (58.42)	.41" (10.41)
3/16" (4.8)	Z-7150-5005	Curved Long Flat	.48" (12.19)	2.23" (56.64)	.24" (6.10)
	Z-7170-3305	Curved Long Recessed	.48" (12.19)	2.23" (56.64)	.41" (10.41)
	Z-7150-3006	Standard Flat	.56" (14.22)	1.18" (29.97)	.33" (8.38)
	Z-7170-3006	Standard Recessed	.56" (14.22)	1.20" (30.48)	.47" (11.94)
	Z-7150-4006	Long Flat	.56" (14.22)	2.30" (58.42)	.33" (8.38)
3/16" (4.8)	Z-7170-3206	Long Recessed	.56" (14.22)	2.30" (58.42)	.47" (11.94)
	Z-7150-5006	Curved Long Flat	.56" (14.22)	2.21" (56.13)	.33" (8.38)
3/16" (4.8)	Z-7170-3306	Curved Long Recessed	.56" (14.22)	2.21" (56.13)	.47" (11.94)



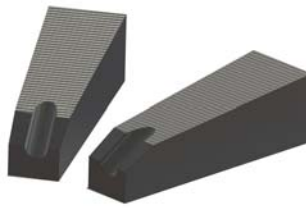
METRIC DIMENSIONS ARE IN PARENTHESIS

CONSUMABLE TOOLING - MISCELLANEOUS

CURSOR



VICE JAWS



HYDRAULIC OIL



REF. NO.	PART NUMBER	NOSE TYPE & FORM
1	ZRTM-IC	Cursor
2	ZRTM-VJ	Vice Jaws
3	ZRTM-HO	Hydraulic Oil



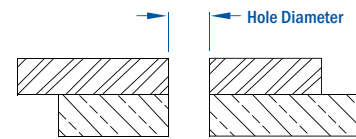
RivetKing® Fastener & Tooling Selection

<p>A</p> <p>RIVET MATERIAL</p> <p>A- ALUMINUM S- STEEL B- BRASS (F)- STAINLESS</p>	<p>D</p> <p>HEAD STYLE</p> <p>D- DOME C- C'SUNK L- LOW PROFILE U- UNDERSIZED</p>	<p>Z</p> <p>RIVET TYPE</p> <p>Z- ZIPRIV ZS- ZIPSHO ZR- ZIPSCREW</p>
<p>05</p> <p>NOMINAL HOLE Ø</p> <p>3/32" (2.4) 1/8" (3.2) 5/32" (4.0) 3/16" (4.8)</p>		
<p>08</p> <p>GRIP RANGE</p> <p>SEE SPECIFICATION SHEET FOR ZIPRIV®, ZIPSHO®, ZIPSCREW®</p>		
<p>BA</p> <p>SURFACE FINISH</p> <p>P- PLAIN SZ- ZINC BA- BLACK ANODIZE BZ- BLACK ZINC TP- TIN</p>		

STEP 1:
Determine rivet type and rivet material preference.

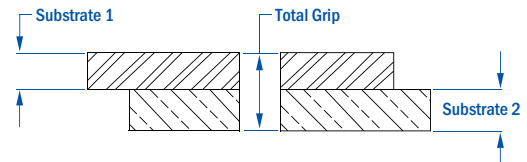
STEP 2:
Determine the closest nominal rivet diameter via your hole size. Then record the actual hole diameter in the box to the right.

SMALLEST HOLE Ø



STEP 3:
Determine rivet grip range via total grip thickness. Record the actual total grip thickness of your assembly to the right.

TOTAL GRIP



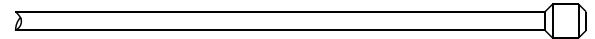
STEP 4:
Determine the rivet part number by using the chart above, and record it to the right.

RIVET PART #

--	--	--	--	--	--	--	--	--	--	--	--

STEP 5:
Determine proper mandrel size by referencing the actual hole diameter to the chart. Record the mandrel Part# to the right.

MANDREL PART #



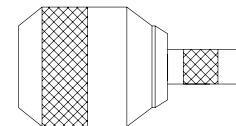
STEP 6:
Determine proper spring size by referencing the chart. Record the spring part# to the right.

SPRING PART #



STEP 7:
Depending on the type of clinch you prefer, choose the proper Nose Jaw. If you are not sure, choose standard, flat. Record the Nose Jaw part# to the right.

NOSE JAW

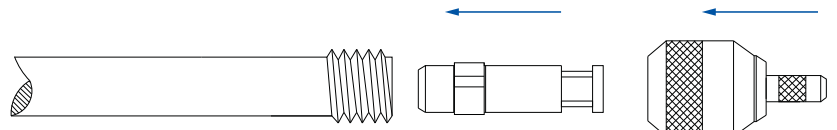




RivetKing® Set-Up & Assembly Process

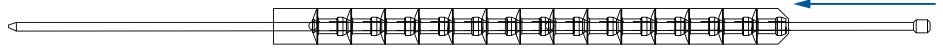
STEP 1:

Install the indexing cursor into the barrel portion of the rivet tool making sure it is facing the proper direction. Then screw on the Nose Jaw assembly on to the barrel.



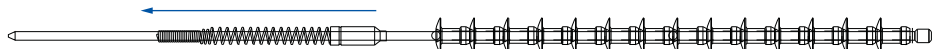
STEP 2:

Insert the mandrel into the hole of the podded rivets. Then tear off and dispose of the podding paper.



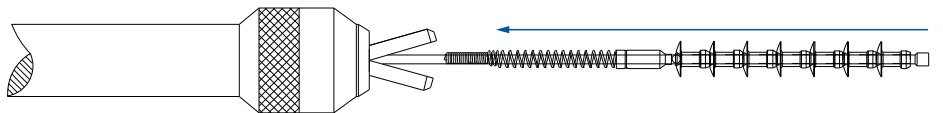
STEP 3:

Insert the mandrel into the hole of the podded rivets. Then tear off and dispose of the podding paper.



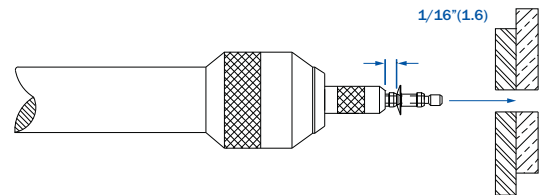
STEP 4:

Split the Nose Jaw open and insert the mandrel assembly (mandrel, spring and rivets), inside the Nose Jaw until the last rivet remains outside of the Nose Jaw.



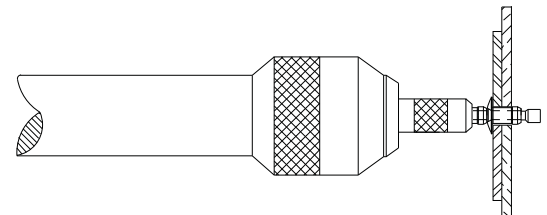
STEP 5:

Make sure the head of the rivet is about 1/16" away from the front of the Nose Jaw. Proper spacing must be assured.



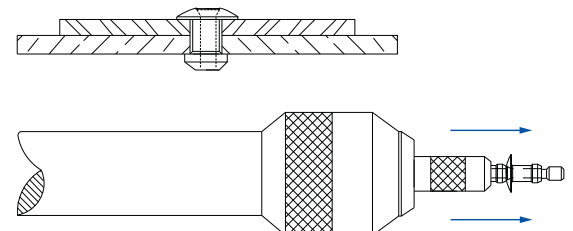
STEP 6:

Using the handle of the tool, insert the rivet and mandrel through the hole of your work piece until the head is sitting flush on the bearing surface. Pull the trigger to actuate the tools cycle and clinch the rivet.



STEP 7:

After proper assembly, the next rivet will automatically feed through the Nose Jaw to advance the next rivet.





RivetKing® Cross Reference Table for Blind Rivet Selection

BY PART NUMBER • PAGE 1 OF 3

RIVETKING®	POP®	MARSON®	CELUS®	AVDEL®	GESIPA®	CHERRY®
ABA32	AD32ABS	AB3 - 2A	A/A32D		GAMD32A	AAP32
ABS32	AD32BS	AB3 - 2	A/S32D		GSMD32A	BSP - 32
ABA34	AD34ABS	AB3 - 4A	A/A34D		GAMD34A	AAP34
ABS34	AD34BS	AB3 - 4	A/S34D		GSMD34A	BSP - 34
ABA36	AD36ABS					
ABA410	AD410ABS					
ABS410	AD410BS	AB4 - 10	A/S410D		GSMD410A	BSP - 410
ABS41 - 43MGRT	AD41 - 43BS			1691 - 0410		
ABS41 - 43LFMGRT	AD41 - 43BSLF			1692 - 0410		
ABA41	AD41ABS	AB4 - 1A	A/A41D		GAMD41A	AAP41
ABS41	AD41BS	AB4 - 1	A/S41D		GSMD41A	BSP - 41
ABS41CE	AD41H	AB4 - 1CLD			GSMD41AC	
ABA42	AD42ABS	AB4 - 2A	A/A42D		GAMD42A	AAP42
ABA42L	AD42ABSFLF	ABL4 - 2A	A/A42LF		GAML42A	AAL42
ABA42CE	AD42AH		A42AD - CE			
ABS42	AD42BS	AB4 - 2	A/S42D		GSMD42A	BSP - 42
ABS42L	AD42BSFLF	ABL4 - 2	A/S42LF		GSML42A	BSL - 42
ABS42CE	AD42H	AB4 - 2CLD	A42D - CE	SROI - 3265	GSMD42AC	
ABS43 - 45MGRT	AD43 - 45BS			1691 - 0414		
ABS43 - 45LFMGRT	AD43 - 45BSLF			1692 - 0414		
ABA43	AD43ABS	AB4 - 3A	A/A43D		GAMD43A	AAP43
ABA43CE	AD43AH		A43AD - CE			
ABS43	AD43BS	AB4 - 3	A/S43D		GSMD43A	BSP - 43
ABS43LF	AD43BSFLF					
ABS43CE	AD43H	AB4 - 3CLD	A43D - CE	SROI - 3280	GSMD43AC	
ABA44	AD44ABS	AB4 - 4A	A/A44D		GAMD44A	AAP44
ABA44L	AD44ABSFLF	ABL4 - 4A	A/A44LF			AAL44
ABA44CE	AD44AH		A44AD - CE			
ABS44	AD44BS	AB4 - 4	A/S44D		GSMD44A	BSP - 44
ABS44L	AD44BSFLF	ABL4 - 4	A/S44LF		GSML44A	BSL - 44
ABS44CE	AD44H	AB4 - 4CLD	A44D - CE	SROI - 3295	GSMD44AC	
ABS45 - 47MGRT	AD45 - 47BS			1691 - 0416		
ABA45	AD45ABS	AB4 - 5A	A/A45D		GAMD45A	AAP45
ABS45	AD45BS	AB4 - 5	A/S45D		GSMD45A	BSP - 45
ABS45CE	AD45H	AB4 - 5CLD	A45D - CE	SROI - 3211	GSMD45AC	
ABA46	AD46ABS	AB4 - 6A	A/A46D		GAMD46A	AAP46
ABS46	AD46BS	AB4 - 6	A/S46D		GSMD46A	BSP - 46
ABS46CE	AD46H		A46D - CE	SROI - 3212		
ABA48	AD48ABS	AB4 - 8A	A/A48D		GAMD48A	AAP48
ABS48	AD48BS	AB4 - 8	A/S48D		GMSD48A	BSP - 48
ABS48CE	AD48H					
ABS52 - 54MGRT	AD52 - 54BS			1691 - 0512		
ABS52 - 54LFMGRT	AD52 - 54BSLF					
ABA52	AD52ABS	AB5 - 2A	A/A52D		GAMD52A	AAP52
ABS52	AD52BS	AB5 - 2	A/S52D		GSMD52A	BSP - 52
ABS52CE	AD52H	AB5 - 2CLD		SROI - 4080	GSMD52AC	
ABS53 - 55MGRT	AD53 - 55BS			1691 - 0514		
ABS53 - 55LFMGRT	AD53 - 55BSLF			1692 - 0514		
ABA53	AD53ABS	AB5 - 3A	A/A53D		GAMD53A	AAP53
ABS53	AD53BS	AB5 - 3	A/S53D		GSMD53A	BSP - 53
ABS53CE	AD53H	AB5 - 3CLD		SROI - 4095	GSMD53AC	
ABA54	AD54ABS	AB5 - 4A	A/A54D		GAMD54A	AAP54
ABA54L	AD54ABSFLF		A/A54LF			AAL54
ABA54CE	AD54AH		A54AD - CE			
ABS54	AD54BS	AB5 - 4	A/S54A		GSMD54A	BSP - 54
ABS54LF	AD54BSFLF					
				SROI - 4011	GSMD54AC	
ABS54CE	AD55H	AB5 - 5CLD	A54D - CE	SROI - 4012	GSMD55AC	
ABA56	AD56ABS	AB5 - 6A	A/A56D		GAMD56A	AAP56
ABA56LF	AD56ABSFLF					
ABS56	AD56BS	AB5 - 6	A/S56D		GSMD56A	BSP - 56
ABA58	AD58ABS	AB5 - 8A	A/A58D		GAMD58A	AAP58
ABA56L	AD58ABSFLF		A/A56LF			AAL56
ABS58	AD58BS	AB5 - 8	A/S58D		GSMD58A	BSP - 58
ABA610	AD610ABS	AB6 - 10A	A/A610D		GAMD610A	AAP610
ABA610L	AD610ABSFLF	AB6 - 10A	A/A610LF		GAML610A	AAL610
ABS610	AD610BS	AB6 - 10	A/S610D		GSMD610A	BSP610
ABS610L	AD610BSFLF	ABL6 - 10	A/S610LF		GSML610A	BSL610
ABA612	AD612ABS	AB6 - 12A			GAMD612A	AAP612
ABA612L	AD612ABSFLF	AB6 - 12A	A/A612LF		GAML612A	AAL612
ABS612	AD612BS	AB6 - 12	A/S612D		GSMD612A	BSP612
ABS612L	AD612BSFLF	ABL6 - 12	A/S612LF		GSML612A	BSL612
ABS614	AD614BS					
ABS62 - 64MGRT	AD61 - 64SSBS			1663 - 0613		
ABA616	AD616ABS					
ABS616	AD616BS					
ABS616LF	AD616BSFLF					
						BSP - 6 - 156
TABS6203	AD6187TFBS				GSMD63ADP	BSP - 6 - 187
ABS62 - 64MGRT	AD62 - 64BS			1691 - 0613		
ABS62 - 64LFMGRT	AD62 - 64BSLF			1692 - 0613		
ABF62 - 64LFMGRT	AD62 - 64SSBSFLF			1643 - 0613		
ABA64/STR	AD6270UG			2774 - 0613	RV6900 - 6 - 4	BAPV - 64
ABA64LF/STR	AD6270UGLF					
ABA62	AD62ABS	AB6 - 2A	A/A62D		GAMD62A	AAP62
ABA62CE	AD62AH		A62AD - CE			
ABS62	AD62BS	AB6 - 2	A/S62D		GSMD62A	BSP62

AVEX® MONOBOLT®, BULBEX®, TRIP®, CHERRYWATE®, MONOBOLT®, INTERLOCK®, HEMLOCK®, STAVEX®, AVINOX® AND AVIBULB® ARE REGISTERED TRADEMARKS OF TETRON FASTENING SYSTEMS AND ACCUMINT GLOBAL TECHNOLOGIES INC. ISH® AND ULTRA-GAP® IS A REGISTERED TRADEMARK OF EMHART FASTENING TECHNOLOGIES. TRIP-BULB®, MAGNA-TITE®, AUTO-BULB® AND KIK-LOCK® ARE REGISTERED TRADEMARKS OF ALCOA FASTENING SYSTEMS. CELUSSPLIT™ AND TIGERBOLT™ ARE REGISTERED TRADEMARKS OF CELUS FASTENERS.



RivetKing® Cross Reference Table for Blind Rivet Selection

BY PART NUMBER • PAGE 2 OF 3

AVEX®, MONOBOLT®, BULBEX®, TLR®, CHERRYMATE®, MONOBOLT®, INTERLOCK®, HEMLOK®, STAVEK®, AVINOK®, AND AVIBULB® ARE REGISTERED TRADEMARKS OF TEXTRON FASTENING SYSTEMS AND ACCUMUL GLOBAL TECHNOLOGIES INC. LSH® AND ULTRA-GRIP® IS A REGISTERED TRADEMARK OF EMHART FASTENING TECHNOLOGIES. TRI-BULB®, MAGNA-TITE®, AUTO-BULB® AND KLIK-LOCK® ARE REGISTERED TRADEMARKS OF ALCOA FASTENING SYSTEMS. CELLUSSPLIT™ AND TIGERBOLT™ ARE REGISTERED TRADEMARKS OF CELUS FASTENERS.

RIVETKING®	POP®	MARSON®	CELUS®	AVDEL®	GESIPA®	CHERRY®
ABS62CE	AD62H	AB6 - 2CLD	A62D - CE	SROI - 4880	GSMD62AC	
ABS63 - 67MGRT	AD63 - 66BS			1691 - 0619		
ABA67S/STR	AD6437UG			2774 - 0617	RV6900 - 6 - 7	BAPV - 67
ABA67SLF/STR	AD6437UGLF					
ABA67LF/STR	AD6437UGLFX					
ABA67/STR	AD6437UGX					
ABS63 - 67MGRT	AD64 - 68SSBSLF			1643 - 0621		
ABA64	AD64ABS	AB6 - 4A	A/A64D		GAMD64A	AAP64
ABA64L	AD64ABSLF		A/A64LF		GAML64A	AAL64
ABA64CE	AD64AH		A64AD - CE			
ABS64	AD64BS	AB6 - 4	A/S64D		GSMD64A	BSP64
ABS64LF	AD64BSLF	ABL6 - 4	A/S64LF		GSML64A	BSL64
				SROI - 4895	GSMD63AC	
ABS64CE	AD64H	AB6 - 4CLD	A64D - CE	SROI - 4811	GSMD64AC	
ABF66CE	AD64SSH					
						BSPT - 6 - 468
TABS6500	AD6519TFBS				GSMD68ADP	BSPT - 6 - 500
ABS66 - 69MGRT	AD66 - 68BS			1691 - 0621		
ABS66 - 69LFMGRT	AD66 - 68BSLF			1692 - 0621		
ABA66	AD66ABS	AB6 - 6A	A/A66D		GAMD66A	AAP66
ABA66L	AD66ABSLF	AB6 - 6A	A/A66LF		GAML66A	AAL66
ABA66CE	AD66AH		A66AD - CE			
ABS66	AD66BS	AB6 - 6	A/S66D		GSMD66A	BSP66
ABS66L	AD66BSLF	ABL6 - 6	A/S66LF		GSML66A	BSL66
					GSMD65AC	
ABS6CE	AD66H	AB6 - 6CLD	A66D - CE	SROI - 4812	GSMD66AC	
ABF66CE	AD66SSH					
ABS610 - 612MGRT*	AD68 - 612BS			1691 - 0631		
ABF610 - 612MGRT*	AD68 - 612SSBSLF			1643 - 0631		
ABA68	AD68ABS	AB6 - 8A	A/A68D		GAMD68A	AAP68
ABA68L	AD68ABSLF	AB6 - 8A	A/A68LF		GAML68A	AAL68
ABA68CE	AD68AH		A68AD - CE			
ABS68	AD68BS	AB6 - 8	A/S68D		GSMD68A	BSP68
ABS68L	AD68BSLF	ABL6 - 8	A/S68LF		GSML68A	BSL68
				SROI - 4814		
ABS68CE	AD68H	AB6 - 8CLD	A68D - CE	SROI - 4816	GSMD68AC	
ABS810	AD810BS		A/S810D		GSMD810A	BSP810
ABA812	AD812ABS	AB8 - 12A	A/A812D		GAMD812A	AAP812
ABS812	AD812BS	AB8 - 12	A/S812D		GSMD812A	BSP812
ABS816	AD816BS					
ABA86/STR	AD8375UG			2774 - 0817	RV6900 - 8 - 6	BAPV - 86
ABA86LF/STR	AD8375UGLF					
ABA84	AD84ABS	AB8 - 4A	A/A84D		GAMD84A	AAP84
ABS84	AD84BS	AB8 - 4	A/S84D		GSMD84A	BSP84
ABS84CE	AD84H	AB8 - 4CLD				
ABA810S/STR	AD8625UG				RV6900 - 8 - 10	BAPV - 810
ABA810SLF/STR	AD8625UGLF					
ABA810LF/STR	AD8625UGLFX					
ABA810/STR	AD8625UGX			2774 - 0824	RV6900 - 8 - 10XC	
ABA86	AD86ABS	AB8 - 6A	A/A86D		GAMD86A	AAP86
ABS86	AD86BS	AB8 - 6	A/S86D		GSMD86A	BSP86
ABS86CE	AD86H	AB8 - 6CLD				
ABS88	AD88BS	AB8 - 8	A/S88D		GSMD88A	
No Equal	ADS46ABS					BSP88
				BF01 - 0516		
ABL - 0516	ADS54ABSL			BF01 - 0523		
ABL - 0523	ADS58ABSL			BF01 - 0523		
				BF01 - 0619		
				BF01 - 0625		
ABL - 0619*	ADS64ABSL			BF01 - 0630		BAPK - 64
				BF01 - 0619		
ABL - 0625*				BF01 - 0625		
ABL - 0630*	ADS66ABS			BF01 - 0630		BAPK - 66
ABS66	ADS66BS					
ACS41 - 44MG/RT	AK41 - 44BS			1682 - 0412		
ACS41CE	AK41H					
ACA42	AK42ABS	AC4 - 2A	A/A42C		GAMC42A	AAC42
ACS42	AK42BS	AC4 - 2	A/S42C		GSMC42A	BSC - 42
ACS42CE	AK42H					
ACS43	AK43BS	AC4 - 3	A/S43C		GSMC43A	BSC - 43
ACS43CE	AK43H					
ACS44	AK44BS	AC4 - 4	A/S44C		GSMC44A	BSC - 44
ACS44CE	AK44H					
ACS45	AK45BS					BSC - 45
ACS45CE	AK45H					
ACS53CE	AK53H					
ACS54	AK54BS					
ACS56	AK56BS					
ACA66/STR	AK6331UG					
ACF64 - 66MG	AK64 - 66SSBS					
ACS64	AK64BS					
ACS64CE	AK64H					
ACS69/STR	AK6500UG					
ACS66CE	AK66H					
ACA88/STR	AK8475UG					
ACA812/STR	AK8725UG					



RivetKing® Cross Reference Table for Blind Rivet Selection

BY PART NUMBER • PAGE 3 OF 3

RIVETKING®	POP®	MARSON®	CELUS®	AVDEL®	GESIPA®	CHERRY®
CBS42	CD42BS	CB4 - 2	C/S42D		GSMD42C	USP42
CBS43CE	CD43H					
CBS44	CD44BS	CB4 - 4	C/S44D		GSMD44C	USP44
SBS32	SD32BS	SB3 - 2	S/S32D		GSMD32S	SSP32
SBS34	SD34BS	SB3 - 4	S/S34D		GSMD34S	SSP34
SBS41	SD41BS	SB4 - 1	S/S41D		GSMD41S	SSP41
SBS42	SD42BS	SB4 - 2	S/S42D		GSMD42S	SSP42
SBS42LF	SD42BSLF	SBL4 - 2	S/S42LF		GSML42S	SSL42
SBS43	SD43BS	SB4 - 3	S/S43D		GSMD43S	SSP43
SBS44	SD44BS	SB4 - 4	S/S44D		GSMD44S	SSP44
SBS44LF	SD44BSLF	SBL4 - 4	S/S44LF		GSML44S	SSL44
SBS45	SD45BS	SB4 - 5	S/S45D		GSMD45S	SSP45
SBS46	SD46BS	SB4 - 6	S/S46D		GSMD46S	SSP46
SBS48	SD48BS	SB4 - 8	S/S48D		GSMD48S	SSP48
SBS52	SD52BS	SB5 - 2	S/S52D		GSMD52S	SSP52
SBS53	SD53BS	SB5 - 3	S/S53D		GSMD53S	SSP53
SBS54	SD54BS	SB5 - 4	S/S54D		GSMD54S	SSP54
SBS54LF	SD54BSLF					
SBS56	SD56BS	SB5 - 6	S/S56D		GSMD56S	SSP56
SBS610	SD610BS	SB6 - 10	S/S610D		GSMD610	SSP610
SBS610LF	SD610BSLF	SBL6 - 10	S/S610LF		GSML610S	SSL610
SBS612	SD612BS	SB6 - 12	S/S612D		GSMD612	SSP612
SBS612LF	SD612BSLF	SBL6 - 12	S/S612LF		GSML612S	SSL612
SBS616	SD616BS					
SBS64/STR	SD6270UG			2771 - 0613	RV6977 - 6 - 4	SSPV - 64
SBS64LF/STR	SD6270UGLF					
SBS62	SD62BS	SB6 - 2	S/S62D		GSMD62S	SSP62
SBS67S/STR	SD6437UG			2771 - 0617	RV6977 - 6 - 7	SSPV - 67
SBS67SLF/STR	SD6437UGLF					
SBS67LF/STR	SD6437UGLFX					
SBS67/STR	SD6437UGX					
SBS64	SD64BS	SB6 - 4	S/S64D		GSMD64S	SSP64
SBS64L	SD64BSLF		S/S64LF		GSML64S	SSL64
SBS66	SD66BS	SB6 - 6	S/S66D		GSMD66S	SSP66
SBS66L	SD66BSLF	SBL6 - 6	S/S66LF		GSML66S	SSL66
SBS68	SD68BS	SB6 - 8	S/S68D		GSMD68S	SSP68
SBS68L	SD68BSLF	SBL6 - 8	S/S68LF		GSML68S	SSL68
SBS810	SD810BS	SB8 - 10	S/S810D		GSMD810S	SSP810
SBS812	SD812BS	SB8 - 12	S/S812D		GSMD812S	SSP812
SBS816	SD816BS					
SBS86/STR	SD8375UG			2771 - 0817	RV6977 - 8 - 6	SSPV - 86
SBS86LF/STR	SD8375UGLF					
SBS84	SD84BS	SB8 - 4	S/S84D		GSMD84S	SSP84
SBS810S/STR	SD8625UG				RV6977 - 8 - 10	SSPV - 810
SBS810SLF/STR	SD8625UGLF					
SBS810/STR	SD8625UGLFX					
SBS810LF/STR	SD8625UGX			2771 - 0824	RV6977 - 8 - 10XG	
SBS86	SD86BS	SB8 - 6	S/S86D		GSMD86S	SSP86
SBS88	SD88BS	SB8 - 8	S/S88D		GSMD88S	SSP88
SCS42	SK42BS	SC4 - 2	S/S42C		GSMD42S	SSC42
SCS44	SK44BS	SC4 - 4	S/S44C		GSMD44S	SSC44
SCS66/STR	SK6331UG					
SCS69/STR	SK6500UG					
SCS88/STR	SK8475UG					
SCS812/STR	SK8725UG					
FBS42	SSD41BS	SSB4 - 1	SS/S41D			CSP41
FBS43	SSD42BS	SSB4 - 2	SS/S42D		GSMD42SS	CSP42
FBS42LF	SSD42BSLF		SS/S42LF			CSL42
FBF42	SSD42SSBS	SSB4 - 2S	SS/SS42D		GSSMD42SS	CCP42
FBF42LF	SSD42SSBSLF					CCL42
FBS44	SSD43BS	SSB4 - 3	SS/S43D		GSMD43SS	CSP43
FBS43LF	SSD43BSLF					
FBF43	SSD43SSBS	SSB4 - 3S	SS/SS43D		GSSMD43SS	CCP43
FBF43LF	SSD43SSBSLF					
FBF43CE	SSD43SSH					
FBS46	SSD44BS	SSB4 - 4	SS/S44D		GSMD44SS	CSP44
FBS44LF	SSD44BSLF					CSL44
FBF44	SSD44SSBS	SSB4 - 4S	SS/SS44D		GSSMD44SS	CCP44
FBF44LF	SSD44SSBSLF					CCL44
FBS48	SSD46BS	SSB4 - 6	SS/S46D		GSMD46SS	CSP46
FBF46	SSD46SSBS	SSB4 - 6S	SS/SS46D		GSSMD46SS	CCP46
FBS48	SSD48BS	SSB4 - 8	SS/S48D		GSMD48SS	CSP48
FBF48	SSD48SSBS	SSB4 - 8S	SS/SS48D		GSSMD48SS	CCP48
FBS52	SSD52BS	SSB5 - 2	SS/S52D		GSMD52SS	CSP52
FBF52	SSD52SSBS	SSB5 - 2S	SS/SS52D		GSSMD52SS	CCP52
FBF53CE	SSD53SSH					
FBS54	SSD54BS	SSB5 - 4	SS/S54D		GSMD54SS	CSP54
FBF54	SSD54SSBS					CCP54
FBS56	SSD56BS	SSB5 - 6	SS/S56D		GSMD56SS	CSP56
FBF56	SSD56SSBS	SSB5 - 6S	SS/SS56D		GSSMD56SS	CCP56
FBF64/STR	SSD6270UG					
FBS62	SSD62BS	SSB6 - 2	SS/S62D		GSMD62SS	CSP62
FBF62	SSD62SSBS	SSB6 - 2S	SS/SS62D		GSSMD62SS	CCP62
FBF62CE	SSD62SSH					
FBS64	SSD64BS	SSB6 - 4	SS/S64D		GSMD64SS	CSP64
FBF64	SSD64SSBS		SS/SS64D			CCP64
FBF64CE	SSD64SSH		SS64SSDC			
FBS66	SSD66BS	SSB6 - 6	SS/S66D		GSMD66SS	CSP66
FBF66	SSD66SSBS		SS/SS66D			CCP66
FBS68	SSD68BS	SSB6 - 8	SS/S68D		GSMD68SS	CSP68
FBF68	SSD68SSBS		SS/SS68D			CCP68
FBF86/STR	SSD8375UG					
FCF66/STR	SSK6331UG					
FCF88/STR	SSK8475UG					

AVEX® MONOBOLT®, BUREX®, TIR®, CHERRYVALE®, MONOBOLT™, INTERLOCK®, HEMLOCK®, STAVEX®, AVINOX® AND AVIBULB® ARE REGISTERED TRADEMARKS OF TETRON FASTENING SYSTEMS AND ACCUMENT GLOBAL TECHNOLOGIES INC. LSH® AND ULTRA-Grip® IS A REGISTERED TRADEMARK OF EMHART FASTENING TECHNOLOGIES. TR-BULB®, MAGNA-TITE®, AUTO-BULB® AND KLIK-LOCK® ARE REGISTERED TRADEMARKS OF ALCOA FASTENING SYSTEMS. CELUS® AND TIGERBOLT® ARE REGISTERED TRADEMARKS OF CELUS FASTENERS.

PHONE: 800.289.7483 FAX: 201.750.1050
200 PARIS AVENUE, NORTHVALE, NEW JERSEY 07647 USA



WWW.RIVET.COM