

Interlock[®]

Multi-grip structural breakstem fasteners providing a fully sealed joint.



Key features and benefits

- Excellent hole fill via radially expanded body provides greater joint integrity, added water resistance and compensates for irregular, oversized, slotted or misaligned holes
- Can stop sheet movement in non-standard holes
- Good sheet take-up performance for large gap closing capability
- Stem mechanically locked into body avoids damage, electrical problems or rattling caused by loose stems
- Multi-grip capability accommodates wide variations in material thickness
- High shear and tensile strength requires fewer rivets per assembly

Specifications

Sizes:

4.8 mm and 6.4 mm
(3/16" and 1/4")

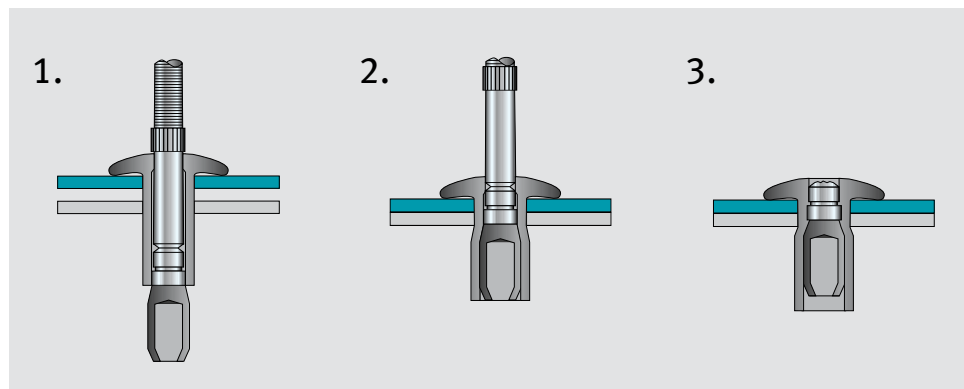
Materials:

Aluminium alloy and steel

Headforms:

Protruding and countersunk

Typical placing sequence



Please visit our website www.avdel-global.com for fastener placing animations and technical data.

Assembly applications

- Automotive
- Cabinets and enclosures
- Commercial vehicles
- Domestic appliances
- Heating and ventilation

Truck trailer



Heat exchanger

